



FURNITURE

INSTALLATION, CARE, AND PARTS MANUAL

Original Instructions Written in English
www.qubicaamf.com

QubicaAMF Worldwide Technical Support: (International) 804.569.1000 ♦ (Domestic) 1.866.460.7263
Copyright © 2021 QubicaAMF Worldwide, 8100 AMF Dr., Mechanicsville, VA 23111

400-263-006 Rev. J
July 2021



WORLDWIDE HEADQUARTERS

8100 AMF Drive - Mechanicsville, Va 23111 - USA
Tel: (804) 730-4000 - Fax: (804) 559-8650

EUROPEAN HEADQUARTERS

Via della Croce Coperta, 15 - 40128 Bologna - Italy
Tel: +39 051.4192.611 - Fax: +39 051.4192.602

web: www.qubicaamf.com - email: info@qubicaamf.com - eshop: eshop.qubicaamf.com

ALL RIGHTS RESERVED

All rights to this manual, including the diagrams, figures, and technical specifications, are the property of QubicaAMF Worldwide. Reproduction or transmission of any of the material contained in this manual without the prior written permission of QubicaAMF Worldwide is strictly prohibited. All of the product information in this manual was carefully prepared based on the latest information available and was believed to be correct at the time of printing. While every effort has been made to ensure accuracy, this publication may inadvertently contain typographical errors, inaccuracies, or errors of omission. QubicaAMF Worldwide cannot be held responsible for any claims resulting from these errors.

DOCUMENT UPDATES

This manual supersedes all previous versions of the Harmony Furniture Owner's Manual. QubicaAMF Worldwide reserves the right to revise and/or update this manual at any time without obligation to notify any person or entity of such revision. The document number, revision level, and date below indicate the edition of this manual.

TRADEMARK NOTICES

QubicaAMF and the QubicaAMF logo are the trademarks of QubicaAMF Worldwide.

CONDITIONAL INFORMATION

This manual assumes that the QubicaAMF equipment and/or software has been installed by a QubicaAMF-authorized technician and is functional in every aspect. Should you encounter problems in operating the equipment, follow the instructions in this manual before contacting QubicaAMF Worldwide for service under warranty.

QUBICAAMF WORLDWIDE TECHNICAL SUPPORT

Technical Support: (International) 804.569.1000 ♦ (Domestic) 1.800.460.7263

QubicaAMF Worldwide Headquarters
8100 AMF Dr.
Mechanicsville, VA 23111

Copyright © 2021 QubicaAMF Worldwide
Document # 400-263-006 Rev. J
Issued: 7/30/2021



QubicaAMF Harmony Furniture

Installation and Parts Manual 400-263-006 Rev. J

SUMMARY OF CHANGES

Change No.	ECR No.
Rev. A	14-0110
Rev. B	14-1025
Rev. C	14-0012-116
Rev. D	15-0012-169
Rev. E	16-0012-222
Rev. F	16-0012-228
Rev. G	17-0310
Rev. H	19-0097
Rev. J	21-0089

LIST OF EFFECTIVE PAGES

Page	Change No.	Effective Date
All	Original	4/16/2014
12	Rev. B	5/28/2014
All	Rev. C	12/10/2014
All	Rev. D	7/13/2015
Parts	Rev. E	8/5/2016
25-26	Rev. F	10/13/2016
25-28	Rev. G	1/30/2017
11-16 & 31-36	Rev. H	04/24/2019
All, 2	Rev. J	7/30/2021

Table of Contents

INTRODUCTION.....	1
OVERVIEW.....	1
CAL 133	2
BEFORE INSTALLATION/ASSEMBLY.....	3
HELPFUL HINTS	3
REQUIRED TOOLS.....	3
COMPONENT ASSEMBLY	4
Infinity.....	4
SOFA LATCHING	4
SEAT CUSHION INSTALLATION/REMOVAL.....	8
SEAT BACK INSTALLATION/REMOVAL	9
CASTER WHEELS INSTALLATION	10
PROPER LATCHING OF INFINITY FURNITURE	11
QUARTER ROUND SOFA ORIENTATIONS AND PROPER USE.....	11
QUARTER ROUND SOFA LATCHED TO OTHER SOFA TYPES	12
INFINITY BASE FEET RELOCATION.....	14
Move feet on Wedge base Infinity Furniture	15
Move feet on Qtr Round base <i>INFINITY</i> Furniture	16
Synergy.....	17
LEG INSTALLATION/REMOVAL.....	17
SEAT BACK AND CUSHION INSTALLATION/REMOVAL	18
END AND UNION TABLE INSTALLATION/REMOVAL.....	20
Energy	21
BENCH ASSEMBLIES	21
SEAT INSTALLATION/REMOVAL	21
SEAT ASSEMBLIES.....	22
TABLES.....	23
COFFEE TABLE ASSEMBLY	23
MODULAR COFFEE TABLE ASSEMBLY	23
ARROW TABLE ASSEMBLY.....	24
RECTANGULAR TABLE ASSEMBLY	24
RECTANGULAR TABLE ASSEMBLY (with Storage Option)	25
COCKTAIL TABLE ASSEMBLY.....	25
CIRCULAR BALL STORAGE TABLE ASSEMBLY	26
WEDGE/IN-LINE BALL STORAGE TABLE ASSEMBLY	26
WEDGE/CONCOURSE TABLE ASSEMBLY (with Storage Option).....	27
CLUSTER TABLE ASSEMBLY	28
CONCOURSE TABLE ASSEMBLY (with Ball Rack).....	29
CONCOURSE TABLE ASSEMBLY (with Shelves Option)	30
COMPONENT MOUNTING	31
MOUNTING FURNITURE TO WOOD FLOORS	31
MOUNTING FURNITURE TO CONCRETE FLOORS.....	31
STOOL MOUNTING.....	32

HARMONY FURNITURE CLEANING AND CARE INSTRUCTIONS.....	33
Cleaning Upholstered Harmony Sofas and Benches	33
Daily Care and Cleaning	33
Periodic Cleaning	33
Removing Tough Stains.....	33
Food/Organic Stains.....	33
Other Difficult Stains.....	34
Budgeting for Seat Maintenance – Replacement Covers.....	34
REUPHOLSTERING CHAIRS, BENCHES AND SOFAS	35
Cleaning Harmony Laminate (Infinity Sofa Bases).....	35
Cleaning Harmony Table Tops and Laminated Surfaces (Energy Seats)	35
Food Stains.....	35
Ink Stains	36
Cleaning Harmony Steel Frames (Synergy and Energy Lines)	36
Cleaning Harmony Table Pedestals and Painted Surfaces.....	36
DRAWINGS AND PART NUMBERS.....	37
INFINITY.....	37
Straight Sofa, 612-300-222	37
Wedge Sofa, 612-300-223	39
Quarter Round Sofa 613-300-224.....	39
Sofa Latch Mechanism & Wheels Kit, 612-300-286	40
Sofa Packages (612-300-270—282).....	41
SYNERGY.....	44
3-Seat Bench. 612-300-213.....	44
2-Seat Bench, 612-300-212.....	45
1-Seat Bench, 612-300-211.....	46
3-Seat Bench with End Tables, 612-300-216	47
2-Seat Bench with End Tables, 612-300-217	48
2+1 Angle Bench, 612-300-214.....	49
2+1 Angle Bench with End Tables, 612-300-215	50
3+1 Angle Bench, 612-300-218.....	51
2+2 Bench, 612-300-220.....	53
2+2 Bench with End Tables, 612-300-221	54
ENERGY	55
3-Seat Bench, 612-300-203.....	55
2-Seat Bench, 612-300-202.....	56
1-Seat Bench, 612-300-201.....	57
2+1 Angle Bench, 612-300-204.....	58
2+1 Angle Ends Bench, 612-300-205	59
3-Seat Ends Bench, 612-300-206.....	60
2-Seat Ends Bench, 612-300-207	61
3+1 Angle Bench, 612-300-208.....	62
3+1 Angle Ends Bench, 612-300-209	63
2+2 Bench, 612-300-210.....	64
2+2 Ends Bench, 612-300-200	65
Bolt-Down Swivel Table Chair, 612-300-225	66

Free-Standing Table Chair, 612-300-227	67
Bolt-Down Swivel Bar Stool, 612-300-228.....	68
Free-Standing Swivel Bar Stool, 612-300-229	69
Bolt Down Table Chair, 612-300-283.....	70
Tables	71
Coffee Table, 612-300-232	71
Large Modular Coffee Table, 612-300-233.....	72
Medium Modular Coffee Table, 612-300-234	73
Small Modular Coffee Table, 612-300-231.....	74
Variable Height Free Standing Arrow Table, 612-300-235.....	75
Bolt-Down 30" 4-Seat Rectangular Table, 612-300-236.....	76
Bolt-Down 42" 4-Seat Rectangular Table, 612-300-237.....	77
Bolt-Down 30" 6-Seat Rectangular Table, 612-300-238.....	78
Bolt-Down 42" 6-Seat Rectangular Table, 612-300-239.....	79
42" Shelf Storage 6-Seat Rectangular Table, 612-300-240	80
Free Standing 30" Cocktail Table, 612-300-241	81
Bolt-Down 30" Cocktail Table, 612-300-242	82
Free Standing 42" Cocktail Table, 612-300-243	83
Bolt-Down 42" Cocktail Table, 612-300-244	84
4-Seat Rectangular Cluster Table, 612-300-245	85
4-Seat Rectangular Cluster Table, 612-300-245	86
4-Seat Rectangular Cluster Table, 612-300-245	87
4-Seat Rectangular Cluster Table, 612-300-245	88
4-Seat Triangular Cluster Table, 612-300-246	89
4-Seat Triangular Cluster Table, 612-300-246	90
4-Seat Triangular Cluster Table, 612-300-246	91
4-Seat Triangular Cluster Table, 612-300-246	92
Coat Rack Wedge Table, 612-300-247.....	93
Circular Rack Table, 612-300-249	94
Narrow Rack Table, 612-300-250	95
Wide Rack Table, 612-300-251	96
Wedge Rack Table, 612-300-252	97
Rectangular Rack Concourse Table, 612-300-254	98
Rectangular Shelves Storage Concourse Table, 612-300-255	99
Rectangular Coat Rack Concourse Table, 612-300-256.....	100
Trapezoidal Rack Concourse Table, 612-300-257.....	101
Trapezoidal Shelves Storage Concourse Table, 612-300-258.....	102
Trapezoidal Coat Rack Concourse Table, 612-300-259	103
Free-Standing Rectangular Table, 612-300-290	104
Free-Standing Hi Top Rectangular Table, 612-300-291.....	105
Free-Standing Long Table, 612-300-292.....	106
Free-Standing Hi Top Long Table, 612-300-293	107
Free-Standing Rectangular Concourse Table, 612-300-294	108
Free-Standing Hi Top Rectangular Concourse Table, 612-300-295.....	109
Free-Standing Hi Top Trapezoid Concourse Table, 612-300-296.....	110
Free-Standing Triangle Table, 612-300-297.....	111

Free-Standing Hi Top Triangle Table, 612-300-298	112
Personal Table, 612-300-299	113
FURNITURE REPAIR	114



INTRODUCTION

OVERVIEW

QubicaAMF's Harmony furniture series of sofas, benches, chairs, stools, and tables offers a cost-effective way to furnish or modernize your bowling center. Installation is straightforward and easy. A layout plan is recommended for large installations. Allow adequate space for traffic areas, access to ball racks, handicap access, applicable building code requirements, etc. See the drawings at the back of this manual and the online web layout tool (harmony.qubicaamf.com) for additional information.

This manual contains installation, care, and parts information for Harmony's three unique collections of coordinated seating styles: Infinity, Synergy, and Energy. Each collection contains different elements, and all are listed below:

INFINITY

- Upholstered Sofa
- Straight Element
- Wedge Element
- Quarter Round Element

SYNERGY

- Upholstered-Seat Bench
- One Seat Arrangement
- Two Seat Arrangement – with or without End Tables
- Three Seat Arrangement – with or without End Tables
- Two + One Seat Arrangement with Union Table – with or without End Tables
- Three + One Seat Arrangement with Union Table – with or without End Tables
- Two + Two Seat Arrangement with Union Table – with or without End Tables

ENERGY

- Hard-Seat Bench
- One Seat Arrangement
- Two Seat Arrangement – with or without End Tables
- Three Seat Arrangement – with or without End Tables
- Two + One Seat Arrangement with Union Table – with or without End Tables
- Three + One Seat Arrangement with Union Table – with or without End Tables
- Two + Two Seat Arrangement with Union Table – with or without End Tables
- Table-Height Chair
- Bolted Down – Swivel and Non-Swivel
- Free Standing - Non-Swivel
- Bar-Height Swiveling Stool
- Bolted Down
- Free Standing





TABLES

- **The Harmony Coffee/Personal Tables**
- Medium Sized Coffee Table
- Medium Sized Modular Coffee Table
- Large Sized Modular Coffee Table
- Small Sized Modular Coffee Table
- Ice Bucket Holder
- Variable Height Arrow Table
- **The Harmony Regular Tables**
- Rectangular Table – Regular Top Height or High Top
- Long Rectangular Table – Regular Top Height or High Top
- Rectangular Table – High Top with Storage Option
- Cocktail Table – Regular Top Height or High Top - Free Standing or Bolted Down
- **The Harmony Cluster Tables**
- Rectangular Table with four seats attached
- Triangular Table with four seats attached
- **The Harmony Ball Rack and Personal Storage Option Tables**
- Wedge Table (with storage for bags and coats) – with or without Arrow Table
- Circular Ball Storage Table (three levels, 18 balls)
- In-Line Narrow Ball Storage Table (three levels, 12 balls)
- In-Line Wide Ball Storage Table (three levels, 24 balls)
- Wedge Ball Storage Table (three levels, 12 balls) – with or without Arrow Table
- **The Harmony Concourse Tables**
- Rectangular Top – with Ball Rack Option (three levels, 12 balls), Shelves Option, or storage for bags and coats
- Trapezoidal Top – with Ball Rack Option, Shelves Option, or storage for bags and coats

CAL 133

All Harmony upholstery can be purchased in one of two varieties: standard or ‘CAL133’. This applies to all upholstery in both the Infinity and Synergy lines. CAL133 upholstery parts have the suffix “CAL” after their part numbers.

Standard upholstery complies with CA TB-117-2013 for fire resistance and does not contain fire retardant chemicals in compliance with CA AB-2998. Parts shipped to California are labeled in compliance with CA SB-1019 for chemical content compliance. CAL133 upholstery complies with CA TB117-2013 and also stricter standards for fire resistance. CAL133 upholstery has an extra layer of fire resistant material under the cover and resists the spread of fire better than Standard product. CAL133 furniture may be required in some areas for fire resistance and prohibited in others for chemical content. Review local laws to learn what is mandated in your area.





BEFORE INSTALLATION/ASSEMBLY

- Make sure all parts are included before beginning installation or assembly.
- Work in a spacious area near where the furniture will be used.
- Use only appropriate tools when installing, assembling, or caring for/cleaning furniture.
- Read this manual thoroughly prior to any installation or assembly.
- Caution should be used to prevent scratching or chipping during handling.
- **WARNING:** QubicaAMF is not responsible for damage done to Harmony furniture through failure to properly follow procedures contained in this manual

HELPFUL HINTS

If anything in this manual is unclear to the user, consult an experienced professional of QubicaAMF Technical Support at 866-460-QAMF (7263) or (804) 569-1000 between the hours of 8:30AM and 5:30PM Eastern Time. After 5:30PM, a message can be left on the voicemail system. Additionally, Technical Support can be reached by e-mail at emtechsupport@qubicaamf.us or via the 24-hour fax line at (804) 569-8650. Be sure to address all faxes to QubicaAMF Technical Support.

Be sure to move your new furniture carefully and use two people when lifting or carrying. Never push, drag, or pull your furniture (especially on carpet) unless it has wheels. Your Harmony furniture can be disassembled and reassembled to move. For more information, visit our website at qubicaamf.com.

REQUIRED TOOLS

The tools required for the assembly and installation of the Harmony seats and tables are as follows:

Sockets and Wrenches

3/8" Drive Ratchet
Short Ratchet Drive Extension
3/4" [19mm] Socket
9/16" [15mm] Socket
1/2" [13mm] Socket
7/16" [11mm] Socket
11/16" Wrench
5/8" Wrench
3/8" Open End Wrench
Torque Wrench
7/32" Hex Wrench
3/16" Hex Wrench

Fixed Installations

3/8" or 1/2" Hammer Drill with Side Handle
3/8" & 5/8" Carbide Masonry Bit (concrete floors)
5/8" or 16mm Drill Bit (wood floors)

Miscellaneous

Masking Tape (for installations on carpet)
#2 Phillips Screwdriver
Large C-Clamps (2)
Measuring Tape
Chalk Line
Mallet



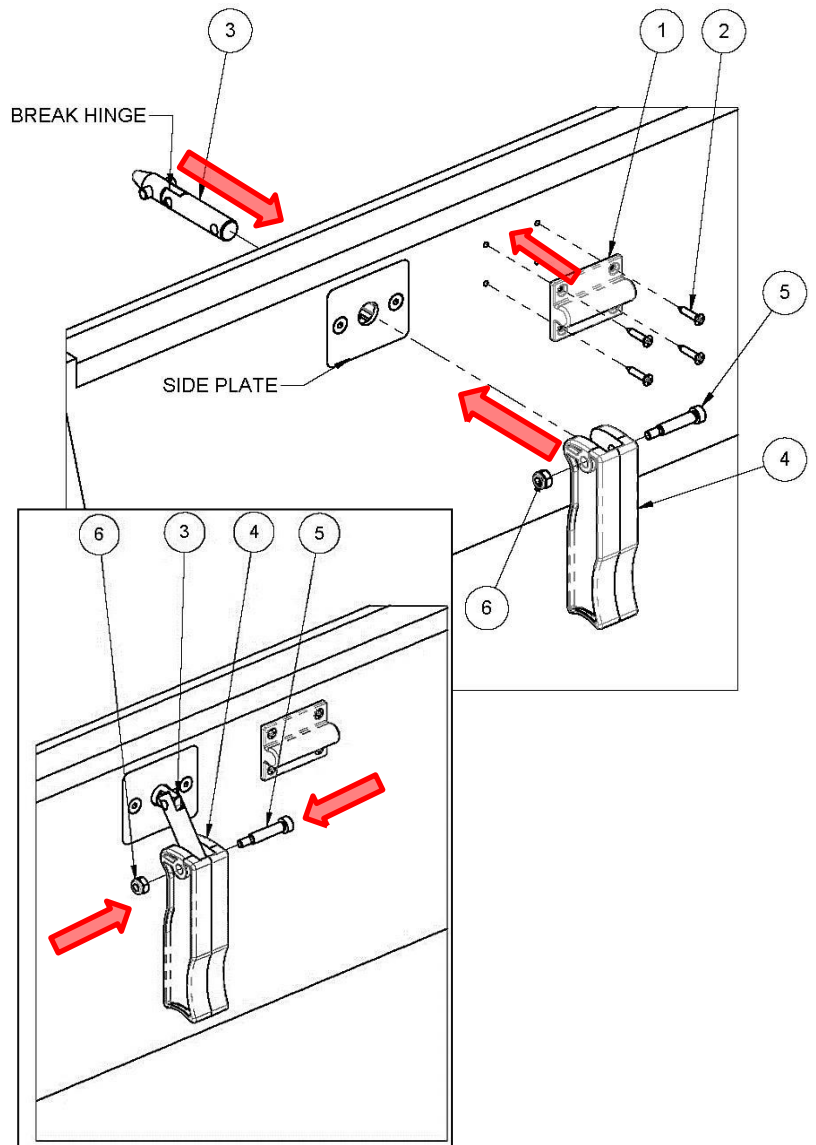
COMPONENT ASSEMBLY

The assembly and installation of the various tables, chairs, stools, and ball racks is simple and quick. The following pages provide information that is useful for the correct final assembly of the seats and tables. The drawings that make up the bulk of this manual can be used to identify replacement parts as well as to provide assembly details.

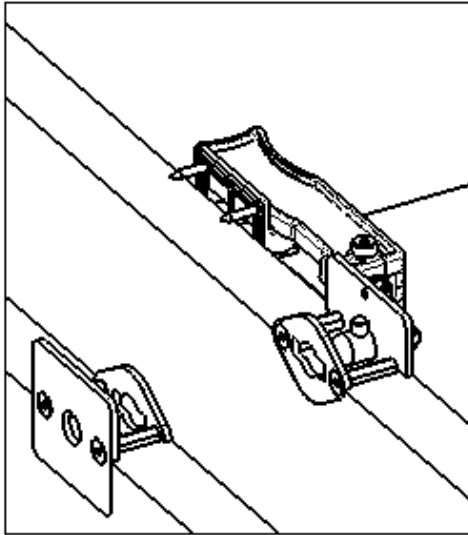
INFINITY
SOFA LATCHING

Infinity sofa elements are designed with a latching system that allows for various arrangements. This system secures elements to one another ensuring that arrangements do not move. Installing the sofa latching system is a fairly simple six-step process using the Cam Latch Kit (263-003-243).

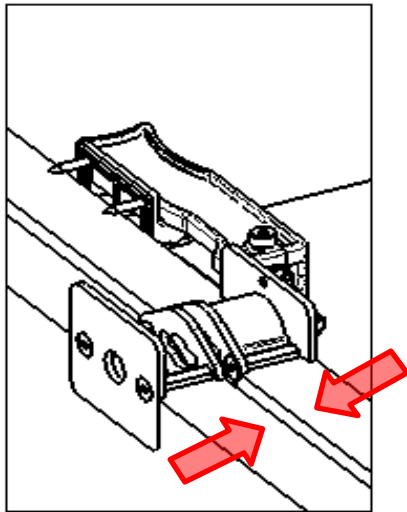
1. Carefully lay the sofa sectional/element on its back so that the box opening is face up.
2. Install the holder (item #1) using four wood screws (item #2) and predrilled holes.
3. Slide the tee pin assembly (item #3) through the side plate oriented as shown.
4. Pull the tee pin assembly (item #3) towards the inside of the box, rotating as necessary, until the break hinge has cleared the side plate and the tee pin assembly (item #3) can break (fold) freely. The tee pin can only break in one direction and needs to break (fold) toward the box's bottom.
5. Align the holes in the handle (item #4) with the hole in the tee pin assembly (item #3).
6. Push the shoulder screw (item #5) through both parts and secure with a lock nut (item #6). Tighten the nut until it is flush with the end of the shoulder screw's threaded stud. Make sure the handle can rotate freely once installed.



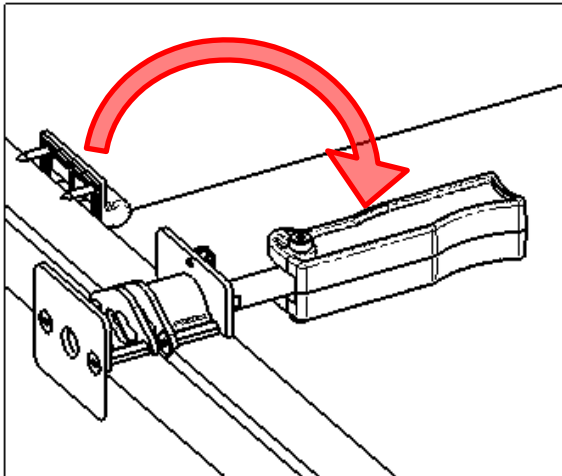
Once latches, seat cushions, and seat backs have been installed, here is how to operate the latch:



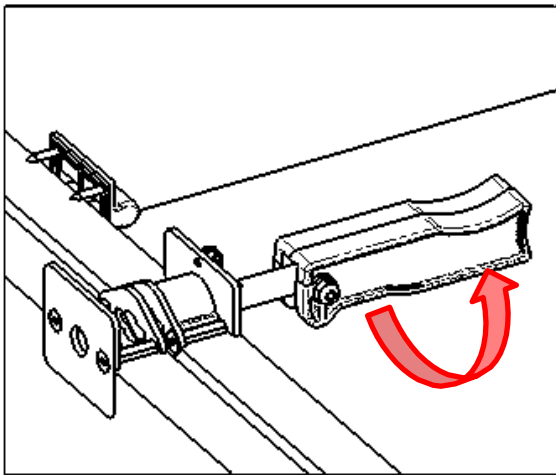
Position 1: One sofa element has the latch handle installed and secured to the handle holder. All elements come standard with latch plates already installed. The adjacent element has a latch plate with no handle.



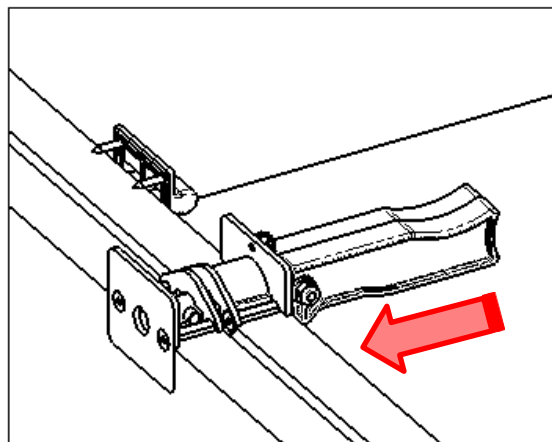
Position 2: Bring the two elements as close together as possible. Ensure that the latch plates align and that the tee pin will be able to pass through both.



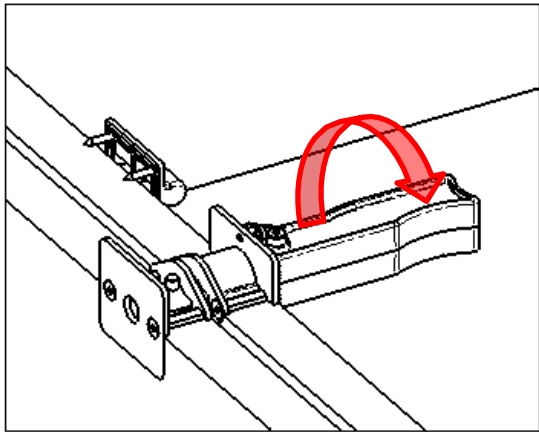
Position 3: After the two elements are aligned and directly next to each other, remove the handle from the handle holder.



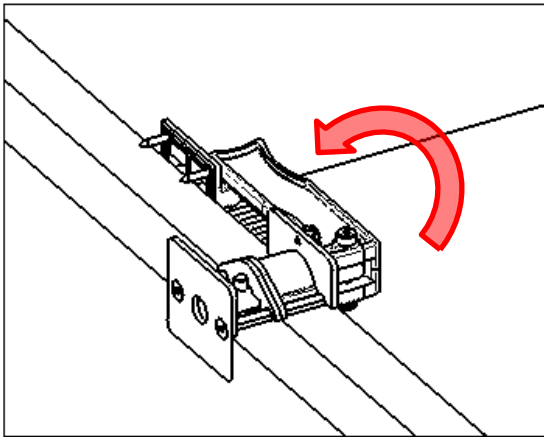
Position 4: Rotate the handle clockwise 90°. This will allow the tee pin assembly to pass through to the adjacent sofa element.



Position 5: Push the handle so that the tee pin assembly slides into the adjacent sofa element.



Position 6: Rotate the handle counterclockwise 90°.



Position 7: Fold the handle and secure it to the handle holder. The two sofa elements are now latched together.

*To separate elements, simply reverse the steps.





SEAT CUSHION INSTALLATION/REMOVAL

There are three elements to the Infinity sofa: the straight element, the wedge element, and the quarter round element. The different combinations of these elements provide different seating arrangements that can allow for better access and viewing to the bowlers. The straight and wedge elements are made up of three different parts: the seat cushion, the seat back, and the base. The seat cushions are secured to the base by two tabs and two screws. As shown in Figure 1, the rear tab slides into an opening in the seat back to stabilize the cushion from moving side-to-side.

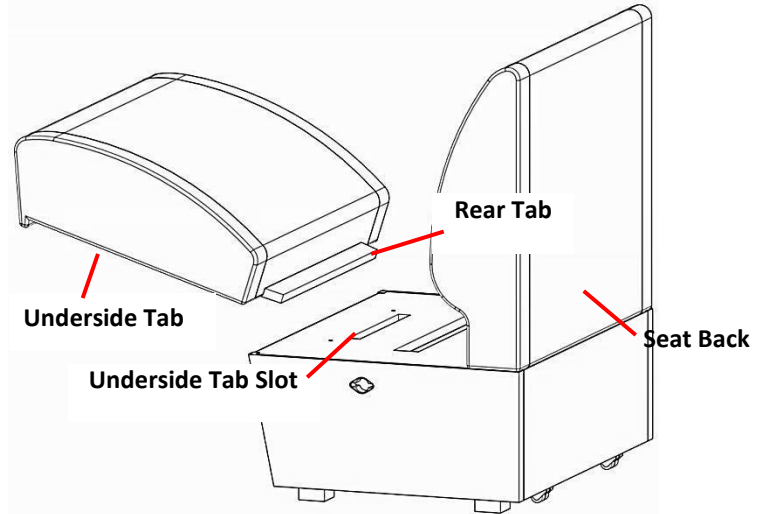


Figure 1, Seat Cushion Tabs and Slots

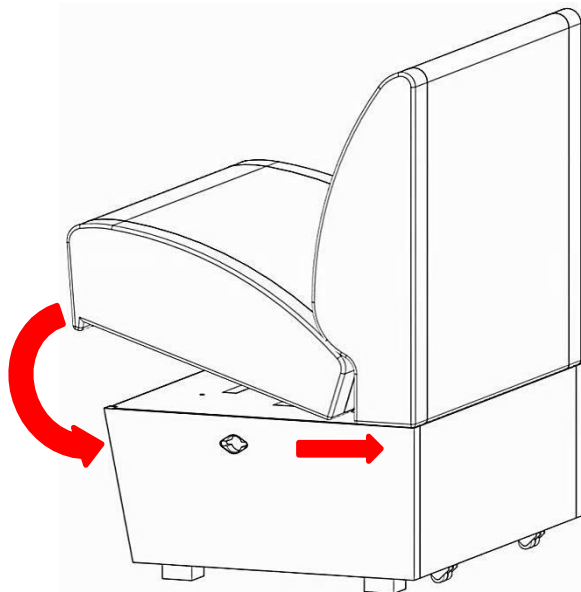


Figure 2, Lower and Secure Seat Cushion

Also shown in Figure 1 is the underside tab slot. On the bottom of the seat cushion, there is a tab much like the one on the rear of the seat cushion. This underside tab fits into the underside tab slot in the base, preventing the cushion from sliding around. The other slot in the base is to allow air to escape from the seat cushion. As shown in Figure 2, once the rear tab has been placed into its position in the seat back, the cushion can be lowered so that the underside tab fits securely into the underside tab slot. If this is done correctly, the seat cushion will sit flat on top of the base.

There are two t-nuts within the underside of each seat cushion. Also, the sofa base has two holes that will lineup with the t-nuts in the seat cushion.

Once the cushion is in place with both tabs correctly inserted into their slots, the cushion can be secured to the base using two screws. The location of the holes and the screws that attach the cushion to the base can be seen in Figure 3 to the right.

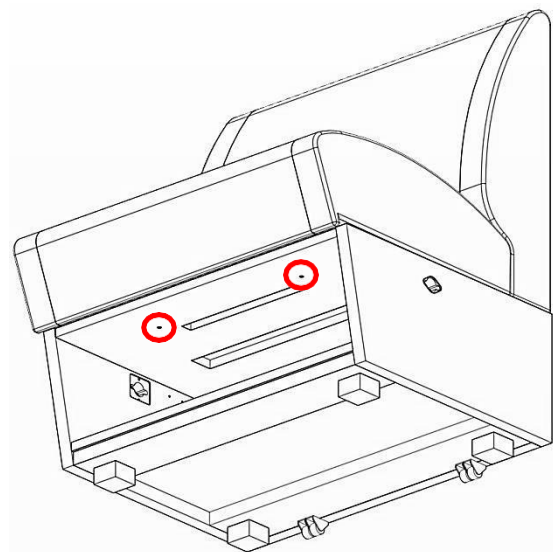
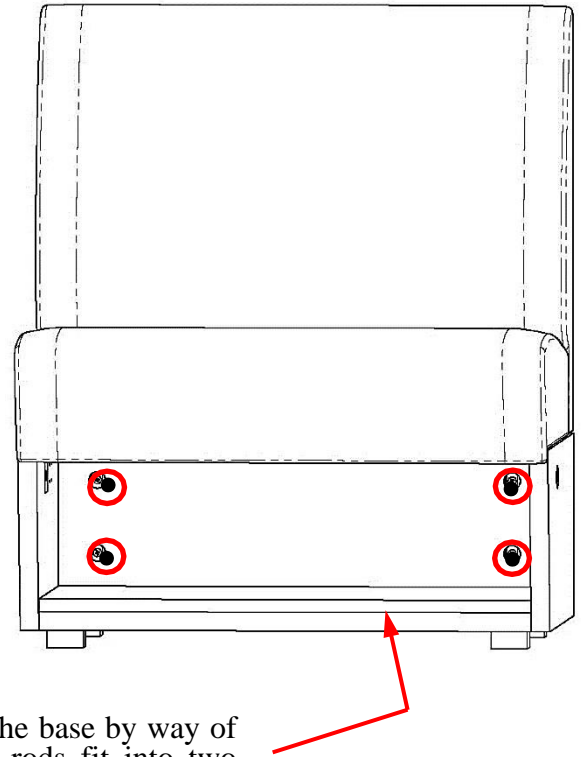
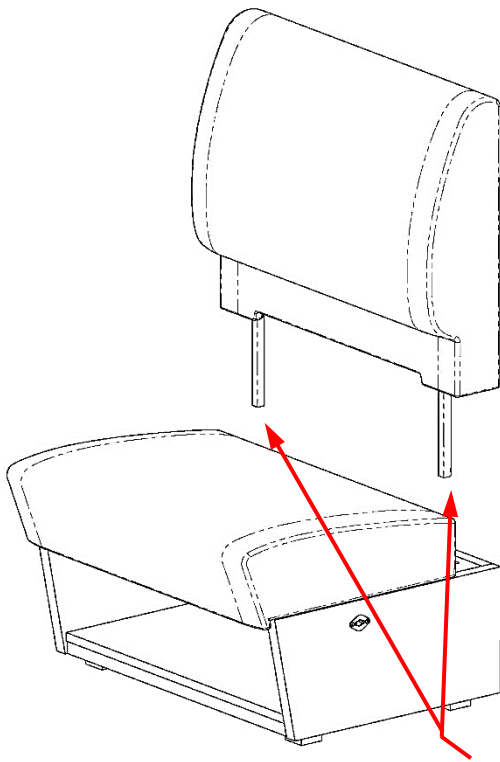


Figure 3, Cushion to Base Installation

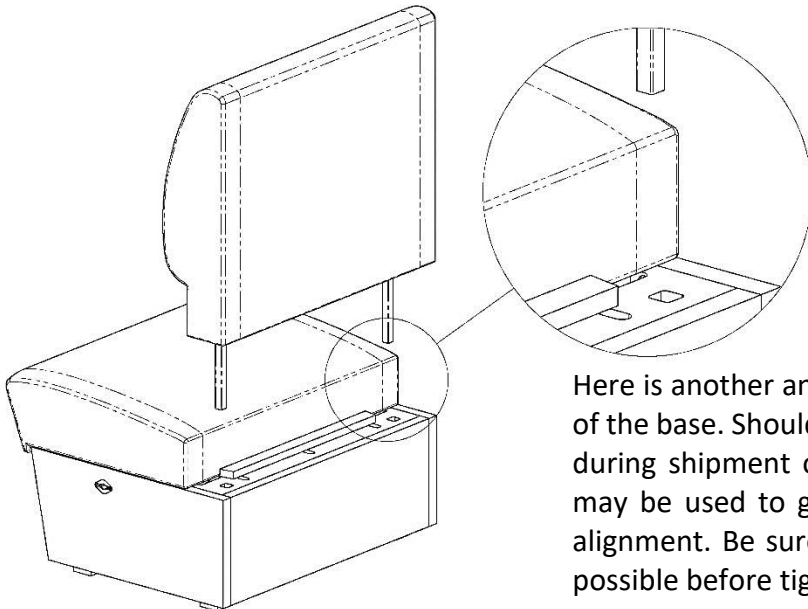


SEAT BACK INSTALLATION/REMOVAL



Sofa seat backs fit into the base by way of two square rods. These rods fit into two square holes in the top-rear of the base. In the inner back of the base, there are four set screws that hold each rod tight in place (two screws per rod). Simply tighten these screws to secure the seat back in place or loosen to remove.

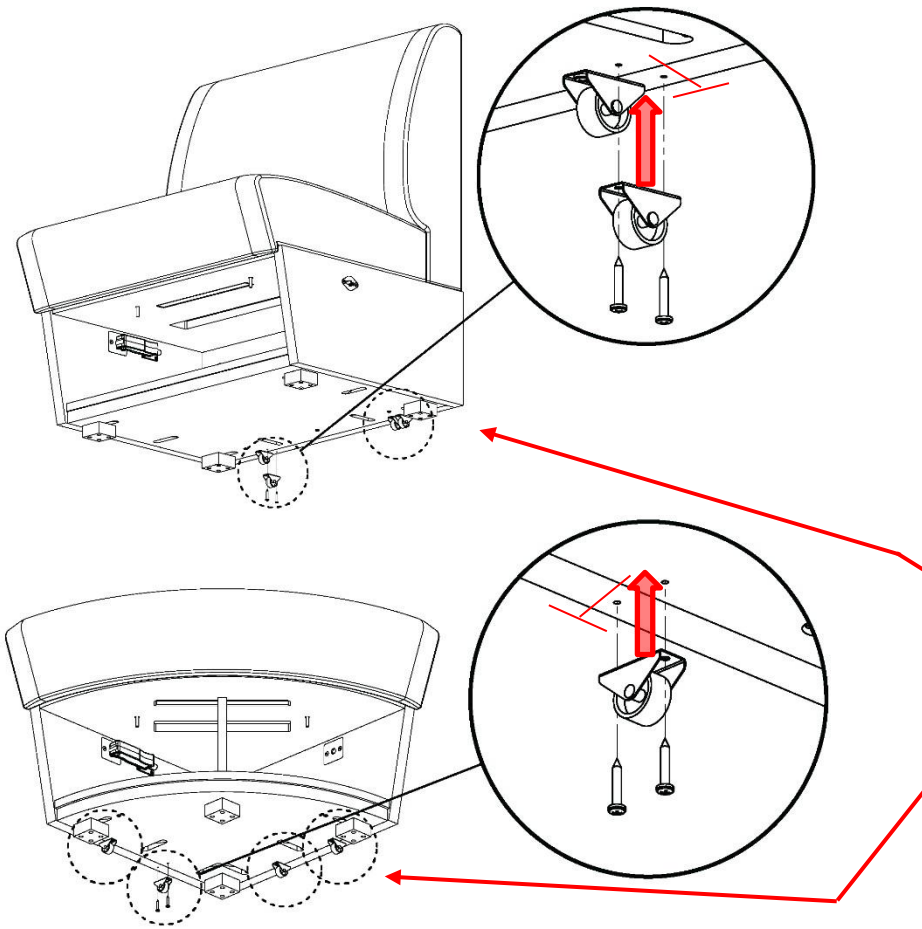
Figure 4a, Seat Back Posts and Set Screws



Here is another angle of the two post holes on the top-rear of the base. Should the two square rods become misaligned during shipment or handling, a rubber hammer or mallet may be used to gently tap and adjust the rods back into alignment. Be sure that the seat back is lowered as far as possible before tightening the four set screws.

Figure 4b, Seat Back Post Holes

CASTER WHEELS INSTALLATION



The elements of the Infinity sofa are easily rearranged using the wheels installed to each element's base. The elements can be tipped back on to the wheels, rolled to the desired location and latched together once in place.

Each element comes with four castor wheels. These wheels are installed depending on the shape of the element.

Wedge elements and Straight elements have four castor wheels installed in pairs along the back edge of the base.

Quarter Round elements have two wheels installed individually along each straight edge of the base, giving the base four wheels total.

Figure 5, Location of Caster Wheels

Installing the castor wheels:

1. Carefully lay the sofa sectional/element on its back, so the box opening is face up.
2. Align one castor wheel with two predrilled holes perpendicular to the base edge.
3. Secure the wheel in place using two screws provided in the Castor Wheel Kit (263-003-234).
4. Repeat for all four wheels of the base.



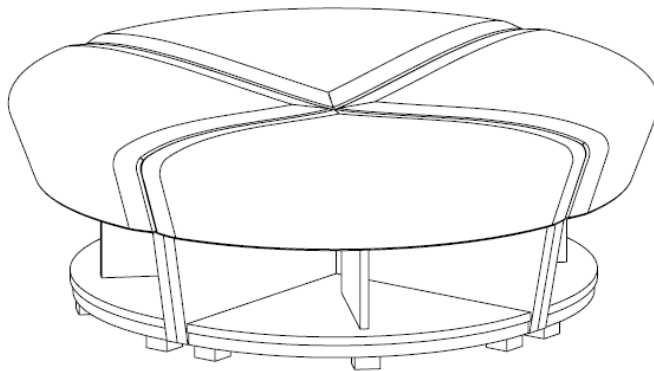
PROPER LATCHING OF INFINITY FURNITURE

Orientations and Proper Furniture Use.

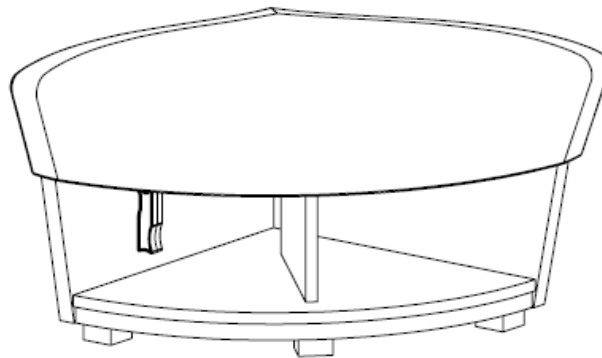
Harmony *INFINITY* Quarter Round sofas must be latched together in groups of four or latched to other sofa pieces for proper stability. Furniture pieces must be resting firmly on a flat surface. If furniture pieces have some feet that are suspended, significant damage can occur when sofas are loaded.

QUARTER ROUND SOFA ORIENTATIONS AND PROPER USE

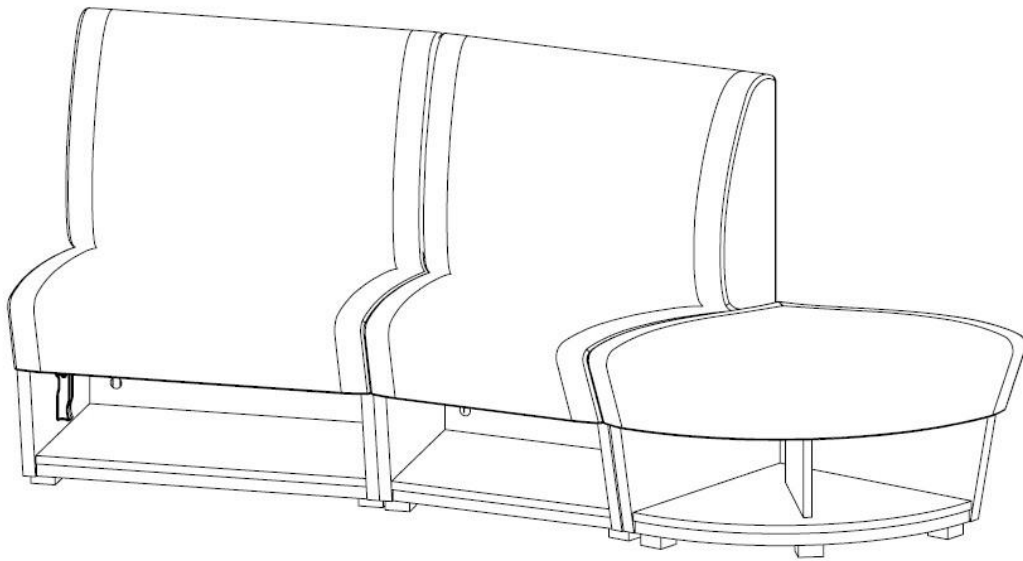
SHOULD: Use latch kit 263-003-243 to combine four quarter round sofas.



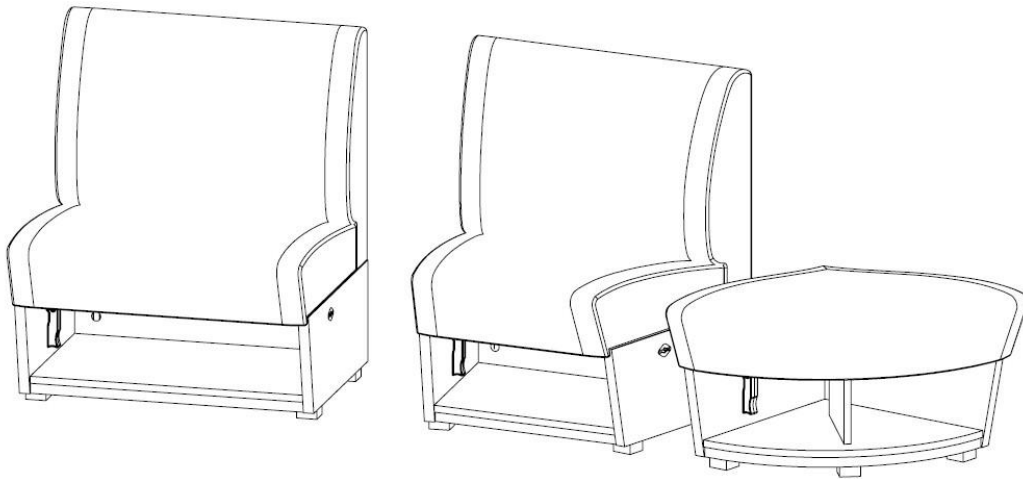
SHOULD NOT: Be used alone. It may tip forward.



QUARTER ROUND SOFA LATCHED TO OTHER SOFA TYPES

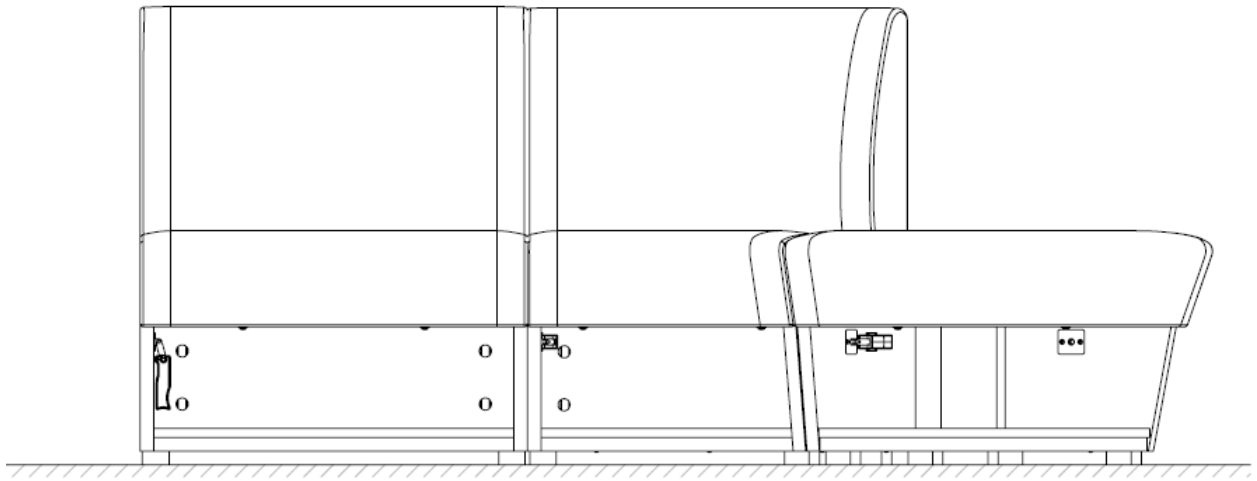


USE LATCHES TO COMBINE QUARTER ROUNDS WITH OTHER SOFA TYPES TO MAKE STABLE SOFA SECTIONS.

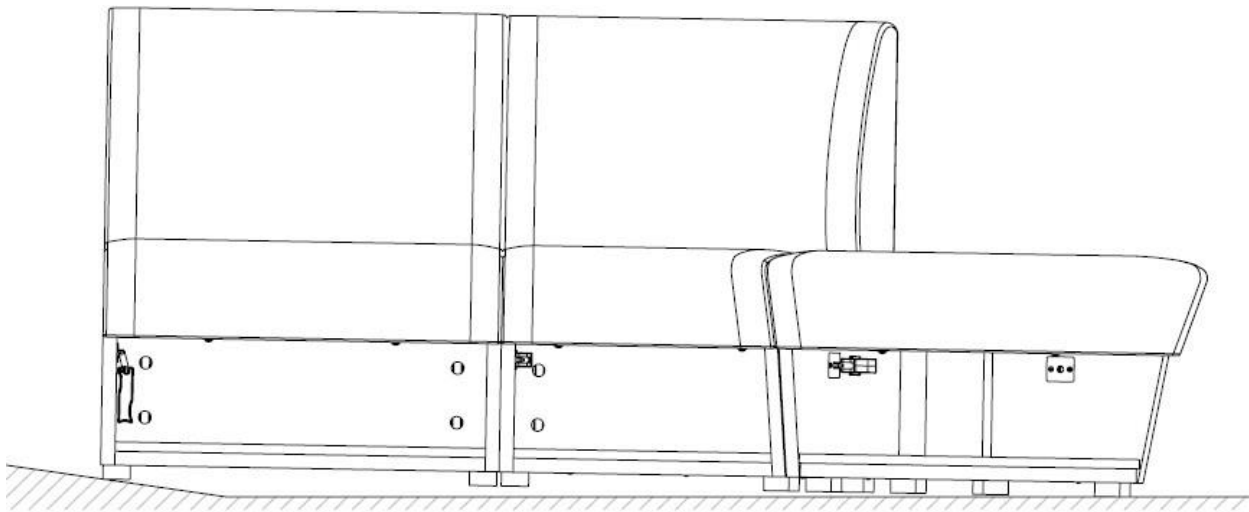


TO MINIMIZE STRESS ON BASES, UNLATCH SOFA PIECES BEFORE MOVING SECTION. MOVE SOFA PIECES INDIVIDUALLY THEN RE-LATCH.

DO: ENSURE ALL FEET ARE RESTING ON A SINGLE FLAT SURFACE WHEN LATCHED TOGETHER.



DO NOT: LATCH SOFA PIECES TOGETHER ON UNEVEN OR STEPPED FLOOR! SIGNIFICANT DAMAGE CAN OCCUR IF ALL FEET ARE NOT RESTING ON FLOOR.



INFINITY BASE FEET RELOCATION

Moving the feet as outlined here will ensure better distribution of the load across the seat base structure and eliminate the potential for this issue to occur.

What follows are instructions on how to relocate the base feet on the Infinity Furniture to increase stability and durability using the existing hardware.

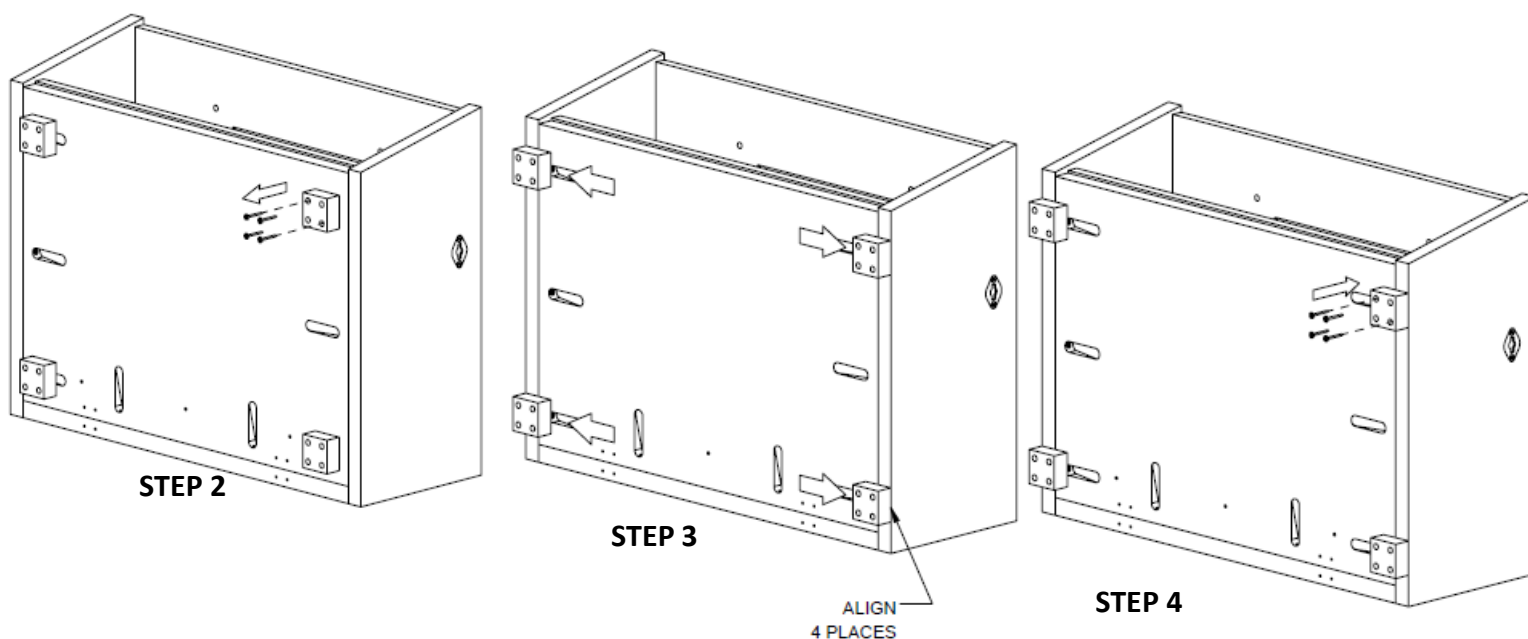
Tools and Hardware needed:

Ø 0.172 (11/64, 4.4mm) Drill bit to drill pilot holes for #8 wood screws.

Reference Hardware:

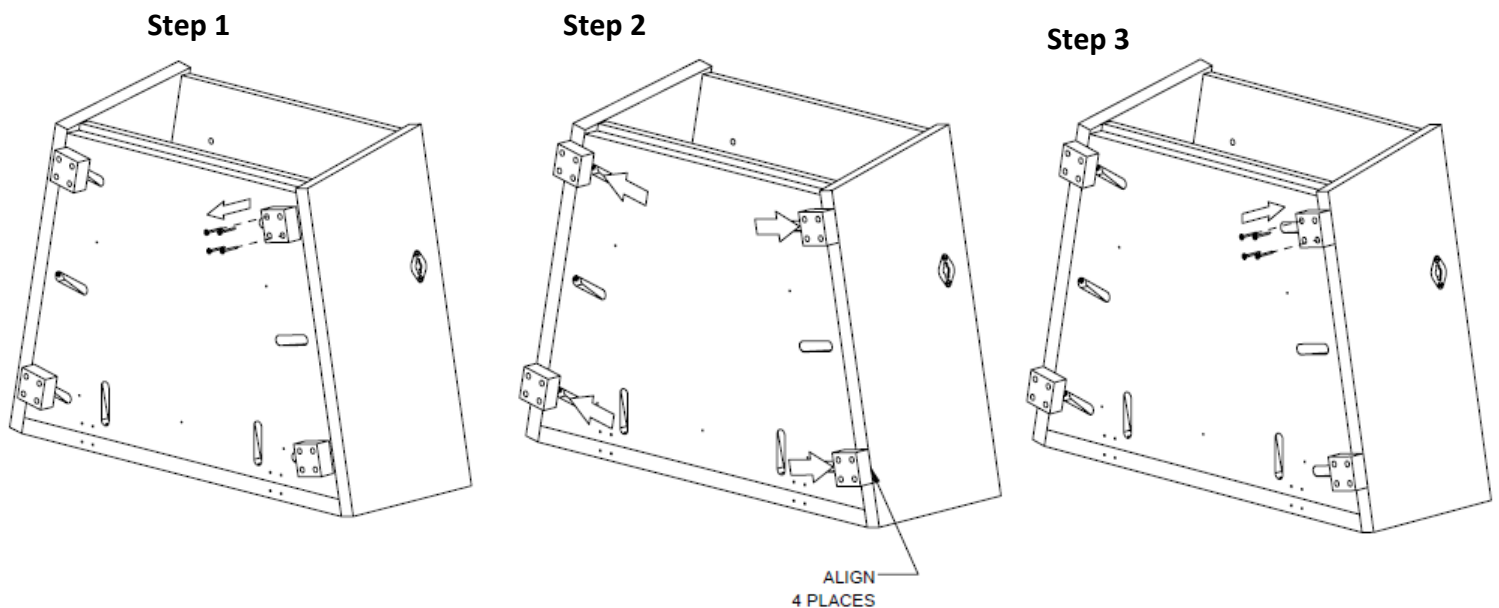
#8 x 1-1/2" Long Wood Screws

1. Move base feet on Straight base *INFINITY* Furniture.
2. Remove screws from feet and set aside to use again (**See image below**).
3. Move feet to positions shown to the right. Ensure that the feet are straddling the slotted holes and are flush with outside edge (Mark screw locations using a pen or marker) (**See image below**).
4. Using suggested drill bit and marked screw locations, predrill the mounting holes 0.50 (1/2", 12.7mm) deep (**See image below**).
5. Re-install screws. Where feet are moved under vertical side panel, make sure screws drive into wood without breaking through side. If alternate screws must be used, drill pilot hole deeper to avoid splitting wood.



Move feet on Wedge base Infinity Furniture

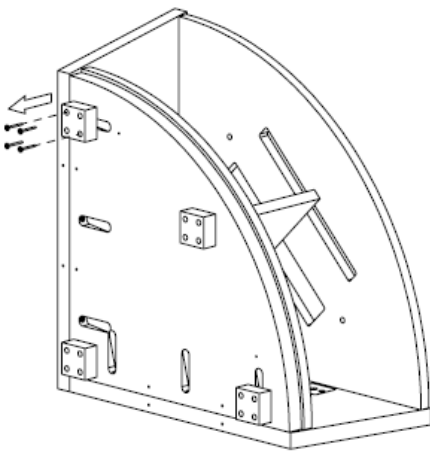
1. Remove screws from feet to be removed and set aside to use again (See image below).
2. Move feet to positions shown to the right. Mark screw locations using a pen or marker.
3. Using suggested drill bit and marked screw locations, predrill the mounting holes 0.50 (1/2", 12.7mm) deep (See image below).
4. Re-install screws. Where feet are moved under vertical side panel, make sure screws drive into wood without breaking through side. If alternate screws must be used, drill pilot hole deeper to avoid splitting wood (See image below).



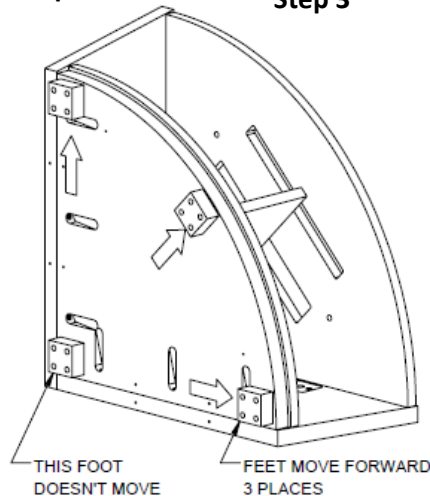
Move feet on Qtr Round base INFINITY Furniture

1. Remove screws from feet to be removed and set aside to use again
2. Move feet to positions shown to the right. Mark screw locations using a pen or marker
3. Using suggested drill bit and marked screw locations, predrill the mounting holes 0.50 (1/2", 12.7mm) deep.
4. Re-install screws. Where feet are moved under vertical side panel, make sure screws drive into wood without breaking through side. If alternate screws must be used, drill pilot hole deeper to avoid splitting wood.

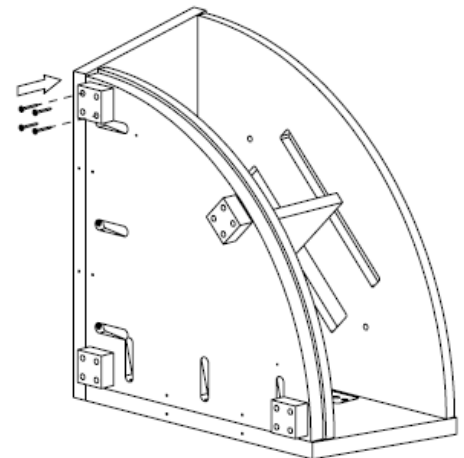
Step 1



Step 2



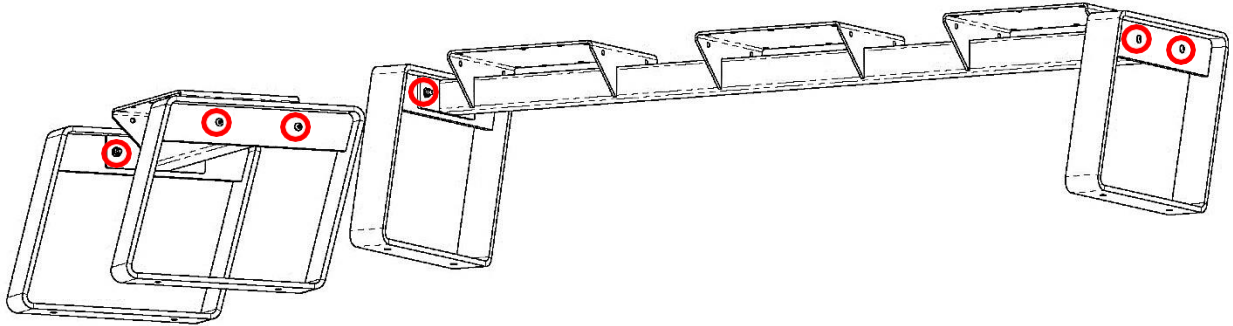
Step 3





LEG INSTALLATION/REMOVAL

The bench legs attach to the center beam weldment. Assemble as shown below. Torque screws to 200 in-lbs.



***Whenever securing an Allen-head bolt to a nut of any kind, always drive the nut onto the bolt rather than driving the bolt.**

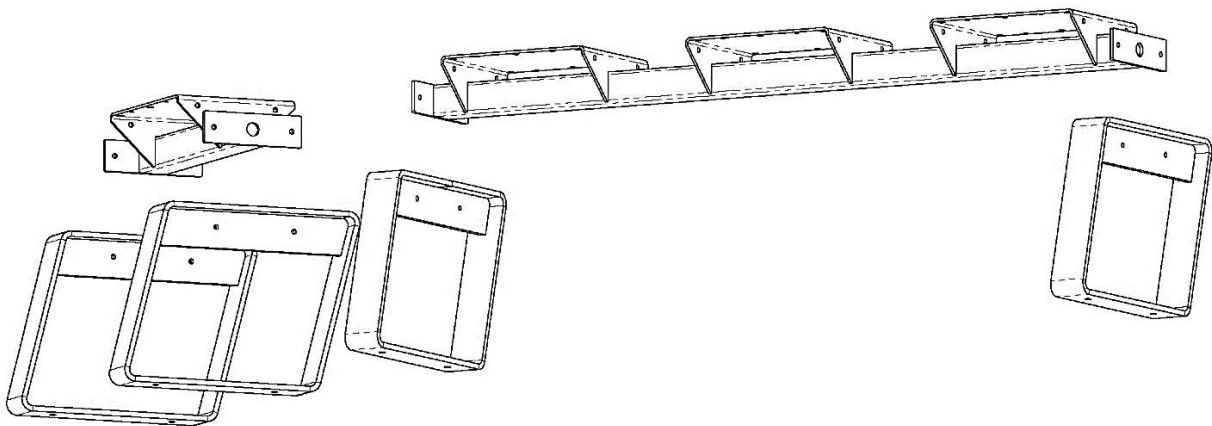
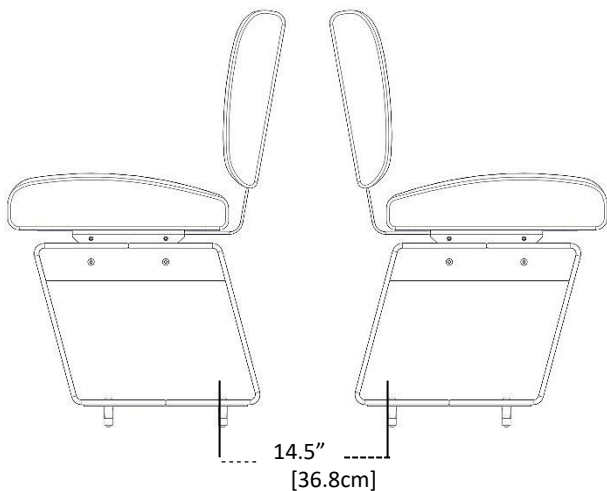


Figure 6, Leg Attachment



When installing benches back-to-back, it is critical that there be enough space between seat backs. The minimum distance allowed between bench seatbacks can be found by measuring from one rear mounting hole to the other (as shown). The distance between these two points can be no less than 14.5" (36.8cm).

***Violation of this measurement will result in a voided upholstery warranty!**



SEAT BACK AND CUSHION INSTALLATION/REMOVAL

Both the bench seat and the bench back are secured to the base of the bench using four screws each. The location of these screws is shown in Figure 7. Torque the cushion screws to 60 in-lbs.

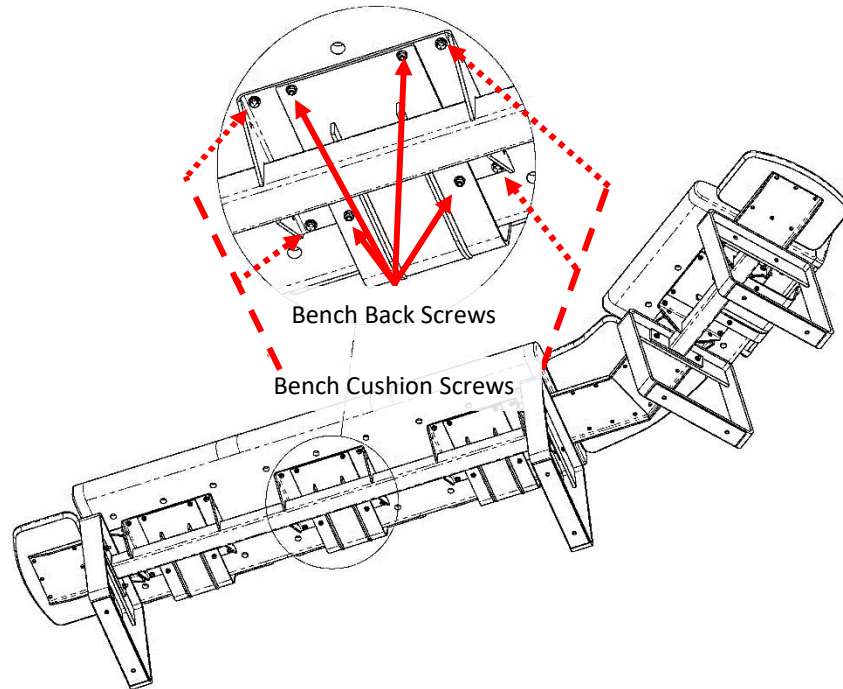


Figure 7, Bench Seat and Seat Back Connection

The bench back cushions are held in place by four screws. These four screws go through the rear side of the seatback bracket and into hidden T-nuts within the cushion (exactly like the bench seat cushions). **Note:** Screws are hidden by a cover that is held in place with hook and loop fasteners.

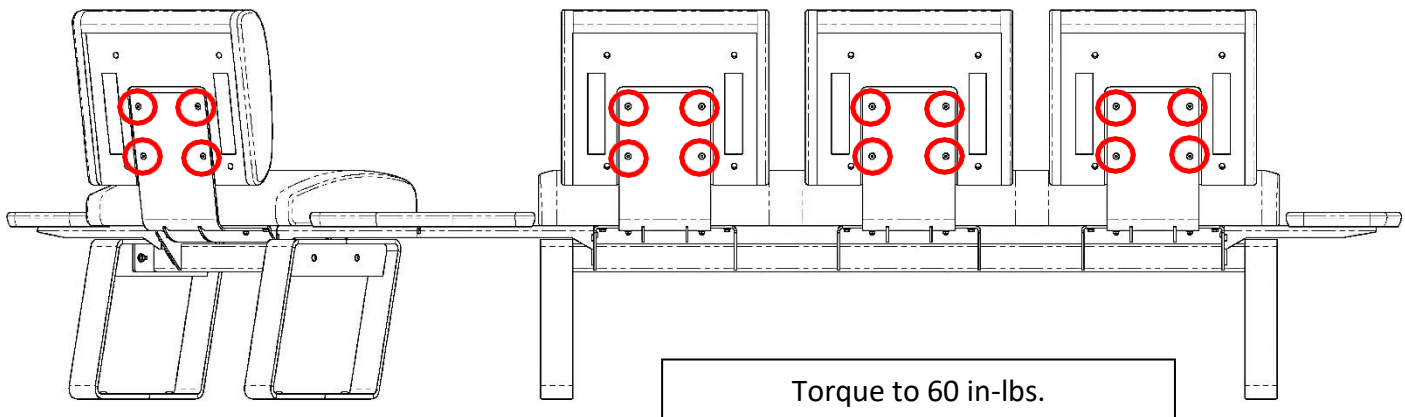


Figure 8, Bench Back Cushion Connection

After removing the four bench seat cushion screws from the bottom of the seat cushions, and after removing the four seatback bracket screws from the center beam weldment, the entire seatback assembly and seat cushion will be free and clear from the center beam weldment. This can be seen in Figure 9 below.

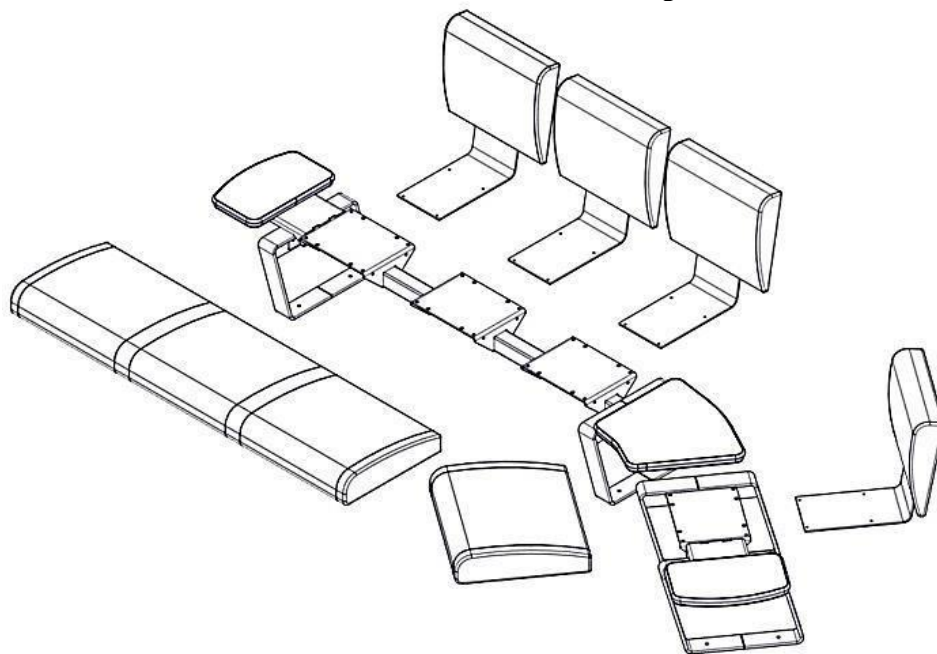


Figure 9, Bottom Screws Removed

If you take it one step further, the seatback cushions can be easily removed from the seatback weldments. This can be done by removing the four screws securing each seatback cushion to its respective weldment. Of course, this could also be done by itself, without removing the entire seatback or seat cushions, as well.

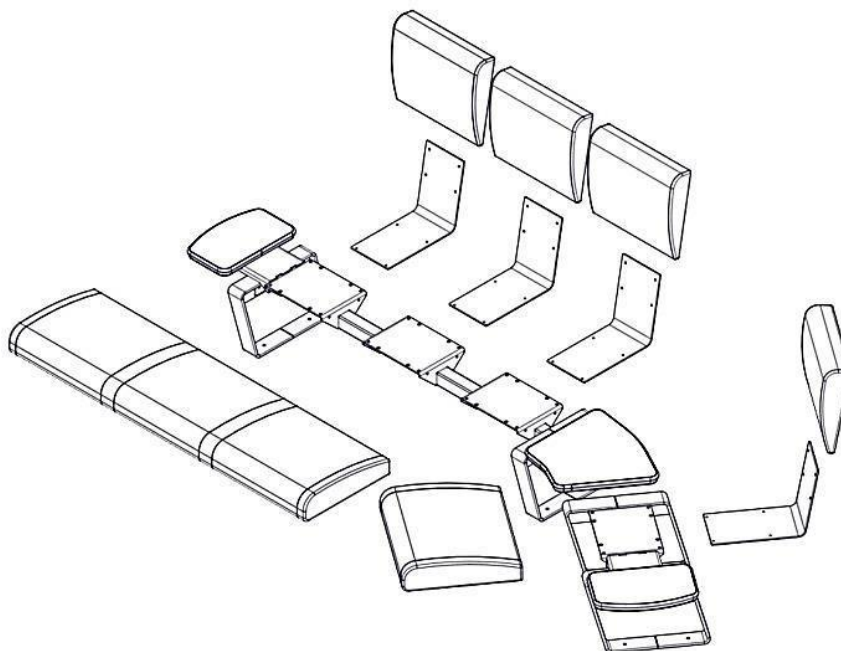


Figure 10, Seatback Cushions Removed

END AND UNION TABLE INSTALLATION/REMOVAL

The end and union tables secure to the same center beam weldment as the seat cushions and seatbacks. Attachment is shown in Figure 11 below. The bracket connects to the center beam weldment with two bolts, one on either side of the center beam.

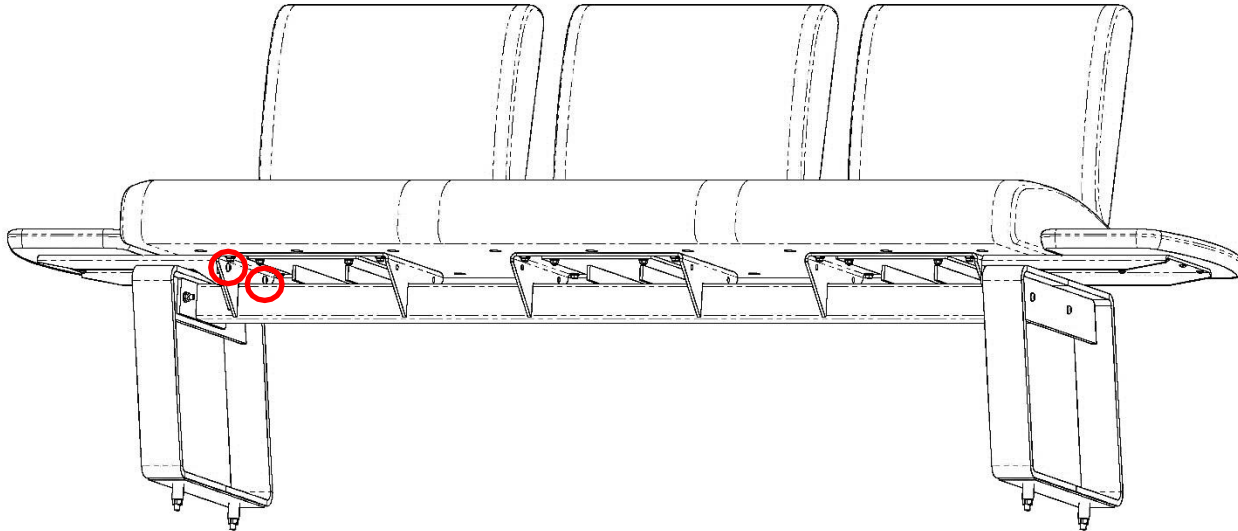


Figure 11, End Table Bracket

The end table top (as well as the union table top) is secured to its bracket using screws that go through holes in the bracket and into holes in the table top. The end table uses six screws. The view below is from underneath the bench assembly.

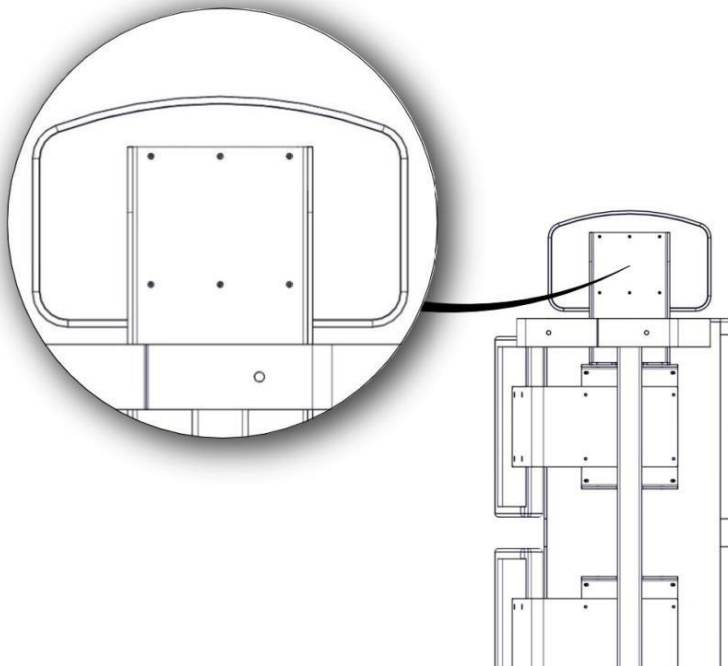


Figure 12, End Table



BENCH ASSEMBLIES
SEAT INSTALLATION/REMOVAL

Each Energy seat is secured to its bench base using four screws. The location of these screws is shown in Figure 13. The view below is shown from underneath the bench.

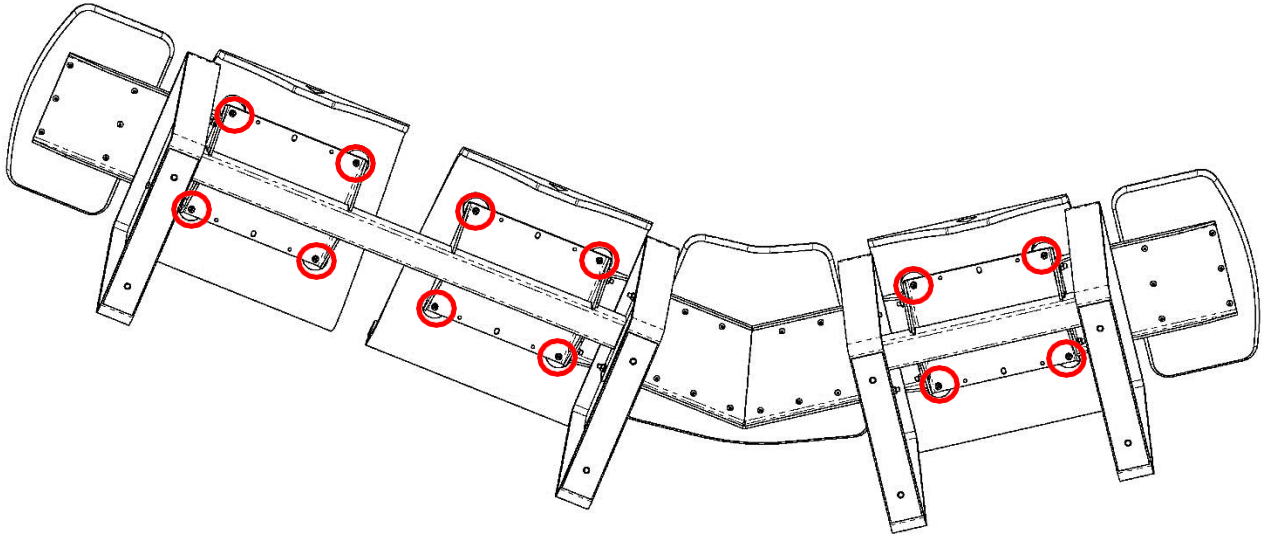


Figure 13, Seat Connection

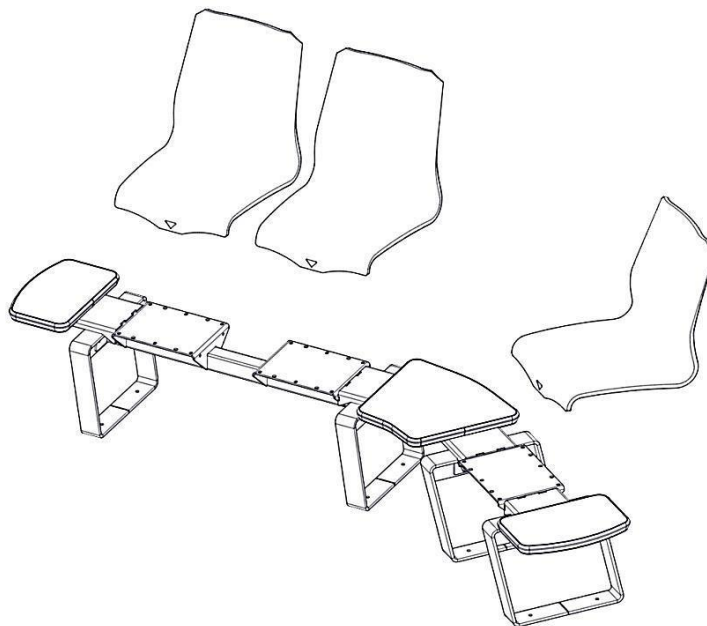
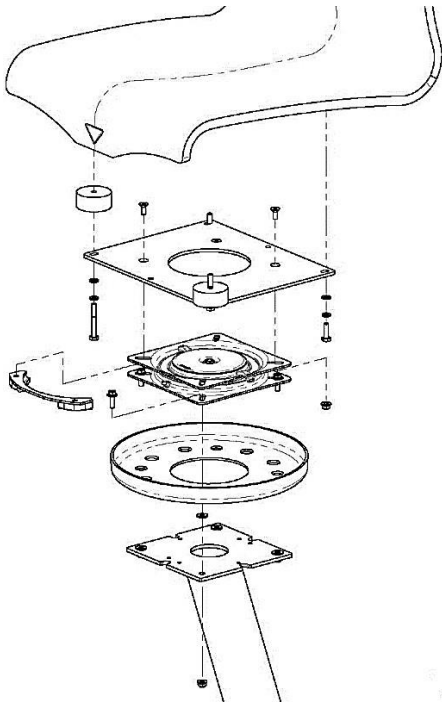


Figure 14, Seats Removed



SEAT ASSEMBLIES

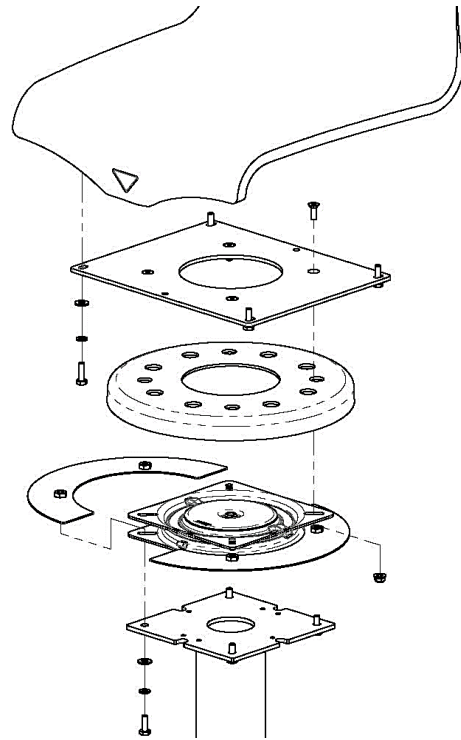
There are two different kinds of single seats: chairs and stools. They are assembled as shown below.



Chair to Swivel

1. Attach the bottom of the swivel, through the swivel cover, to the chair pedestal using four screws, washers, and bolts. Be sure the front of the swivel aligns with the front of the chair.
2. Slide the stop weldment into the front side of the swivel (between the top and bottom plates of the swivel).
3. Attach the adapter plate to the top of the swivel and to the stop weldment with four bolts.
4. Attach the adapter plate to the chair with four bolts, flat washers, and split washers. The two longer bolts should be installed through the two seat spacers and into the front two holes of the chair.

NON-SWIVEL: For non-swiveling chairs simply attach the adapter plate to the chair pedestal and then the chair to the adapter plate.



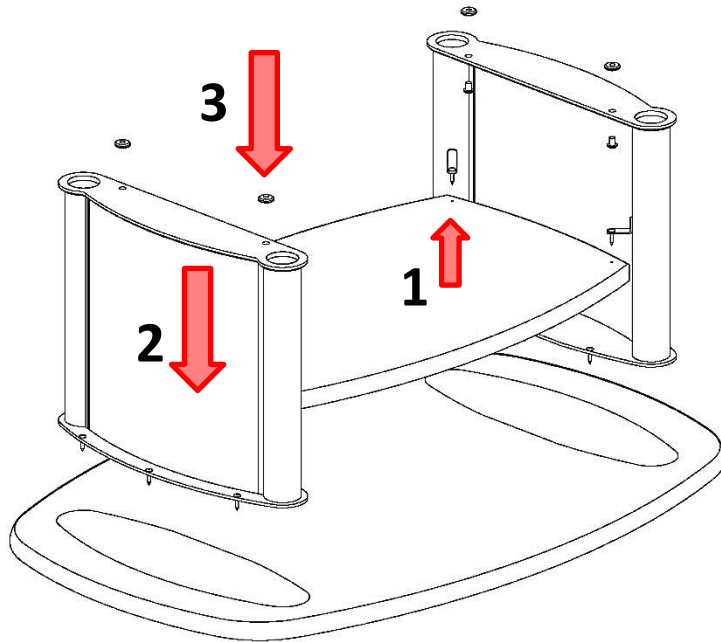
Stool to Swivel

1. Attach the adapter plate, through the swivel cover, and into the top of the swivel using four screws and nuts.
2. Be sure the front of the swivel aligns with the front of the stool and place the bottom of the swivel onto the stool pedestal and position the swivel guards between the upper and lower plates of the swivel so that they form a circle and so that the holes in the swivel guards align with the holes in the bottom plate of the swivel and the holes in the pedestal.
3. Attach the bottom of the swivel, and the swivel covers, to the stool pedestal using four screws, washers, and bolts.
4. Attach the adapter plate to the stool with four bolts, flat washers, and split washers.



TABLES (Assemble tables upside-down)

COFFEE TABLE ASSEMBLY



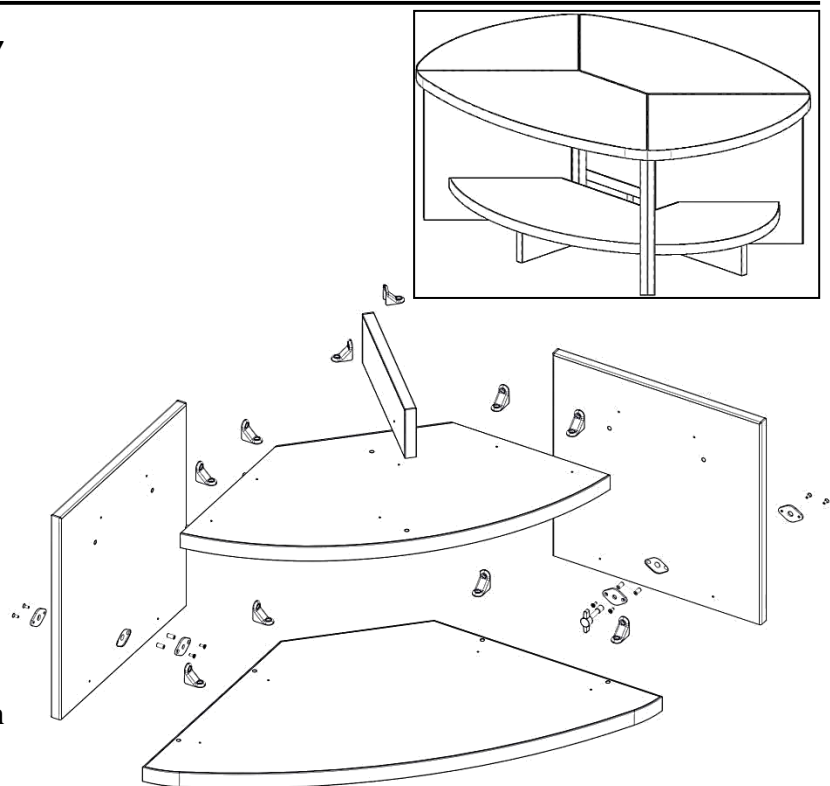
Assembly Instructions

1. Mount shelf to brackets on legs using the screws included with the table top.
2. Mount legs to table top using the guidelines on the table top and the screws included with the table top.
3. Install four (4) glides in the holes in the bottom leg plates.

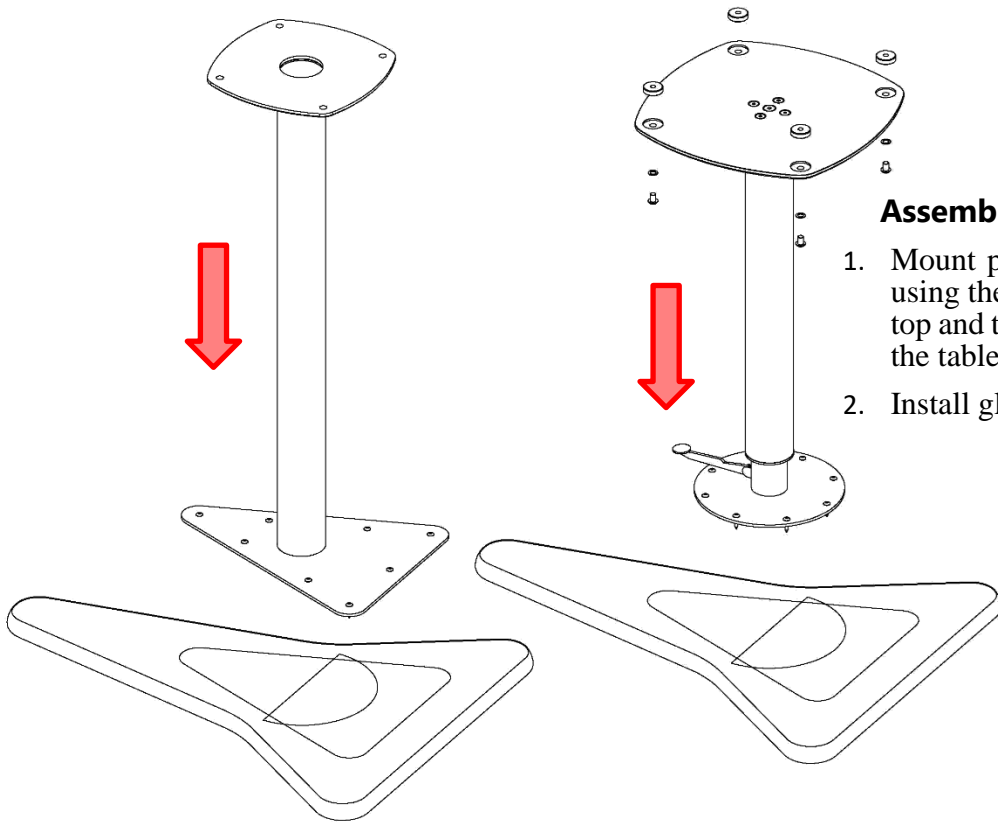
MODULAR COFFEE TABLE ASSEMBLY

Assembly Instructions

1. Assemble upside down.
2. Install each latch plate into its respective cutout in the leg panels. Threaded plates go on the inside. Thru-hole plates go on the outside.
3. Both the shelf and table top fit into the leg panels keyed by wooden dowels. Glue-on dowels must be activated by water before inserting into the panels.
4. Once the table top and shelf are joined to the leg panels, secure brackets with screws into the pilot holes.
5. Arrange table sectionals.
6. Thread the locking pin into the latch plate from the inside – one (1) per table sectional.



ARROW TABLE ASSEMBLY



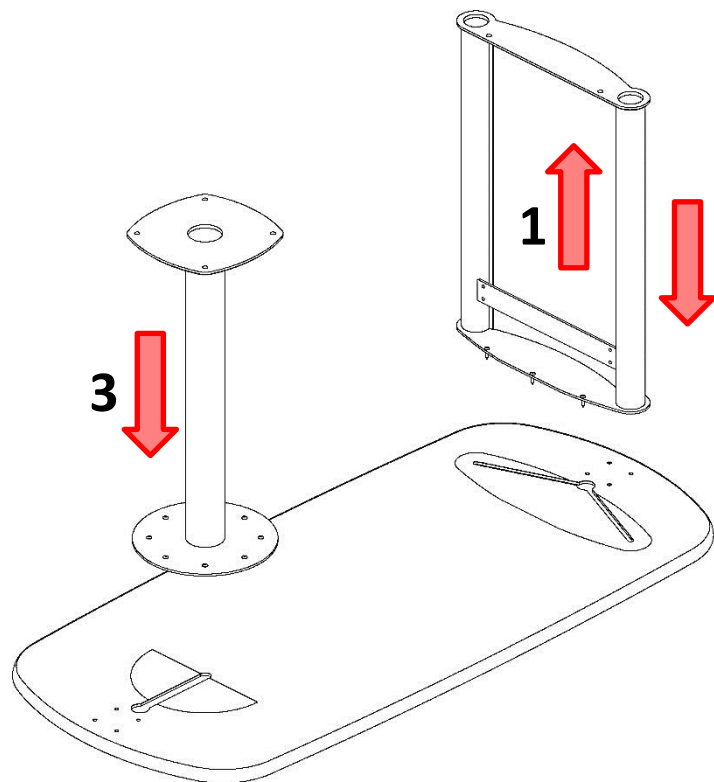
Assembly Instructions

1. Mount pedestal to the table top using the guidelines on the table top and the screws included with the table top.
2. Install glides.

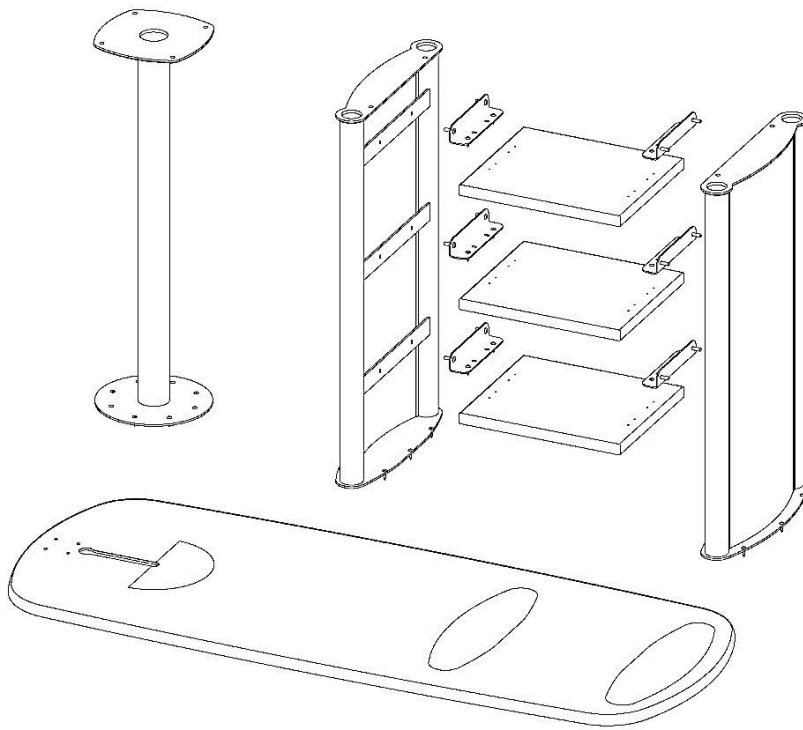
RECTANGULAR TABLE ASSEMBLY

Assembly Instructions

1. Ensure panel is fully seated in the curved leg. (Curved legs are shipped with the panels already installed.)
2. Mount curved leg to table top using the guidelines on the table top.
3. Mount pedestal to the table top using the appropriate guidelines.



RECTANGULAR TABLE ASSEMBLY (with Storage Option)



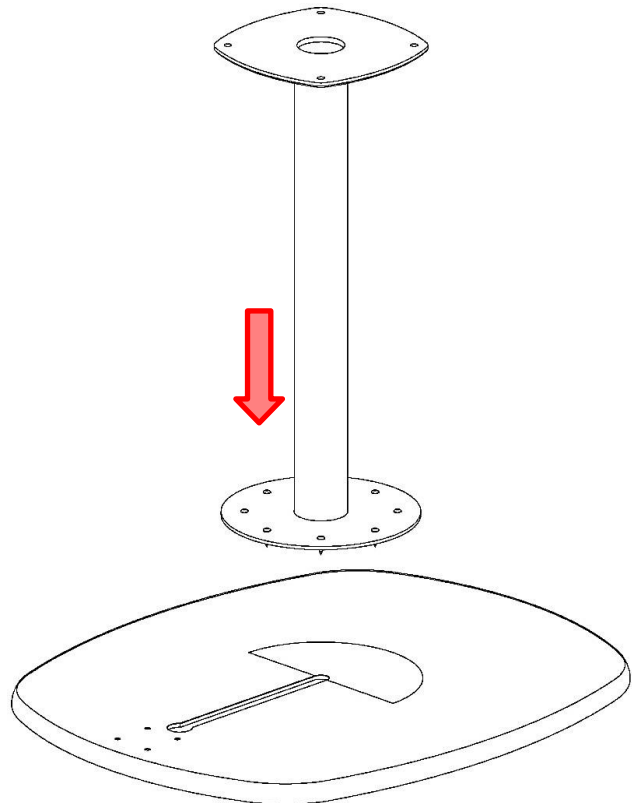
Assembly Instructions

1. Remove curved panels.
2. Mount shelf end brackets to curved legs. Bolts should go through the brackets and into the legs.
3. Mount shelves to shelf brackets using pilot holes. Screws should go through the brackets and into the shelves.
4. Slide curved panels into curved legs.
5. Mount curved legs to the table top using the guidelines on the table top.
6. Mount pedestal to table top using the appropriate guidelines.

COCKTAIL TABLE ASSEMBLY

Assembly Instructions

1. Mount pedestal to the table top using the guidelines on the table top.

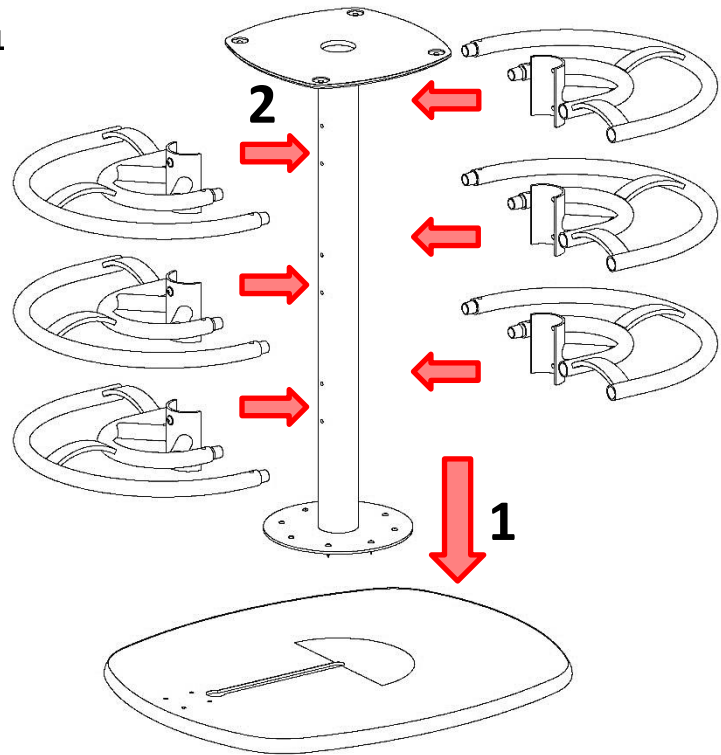




CIRCULAR BALL STORAGE TABLE ASSEMBLY

Assembly Instructions

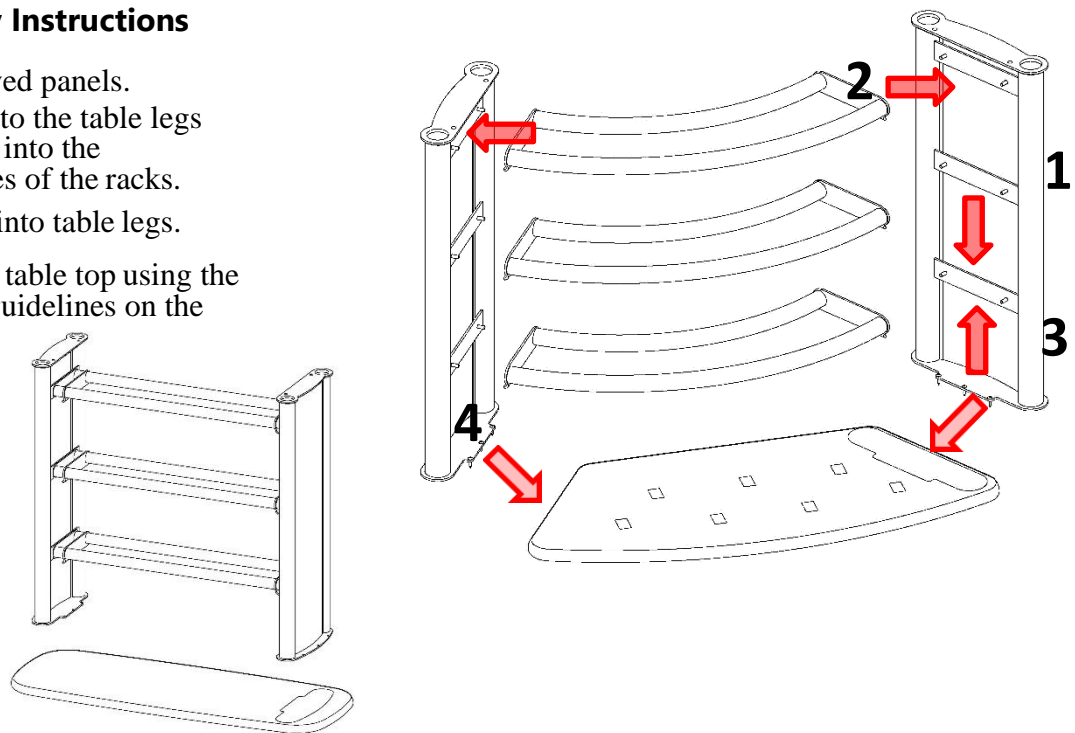
1. Attach the table pedestal to the table top using the guidelines on the table top.
2. Install each semicircle ball rack to the table pedestal using predrilled holes.



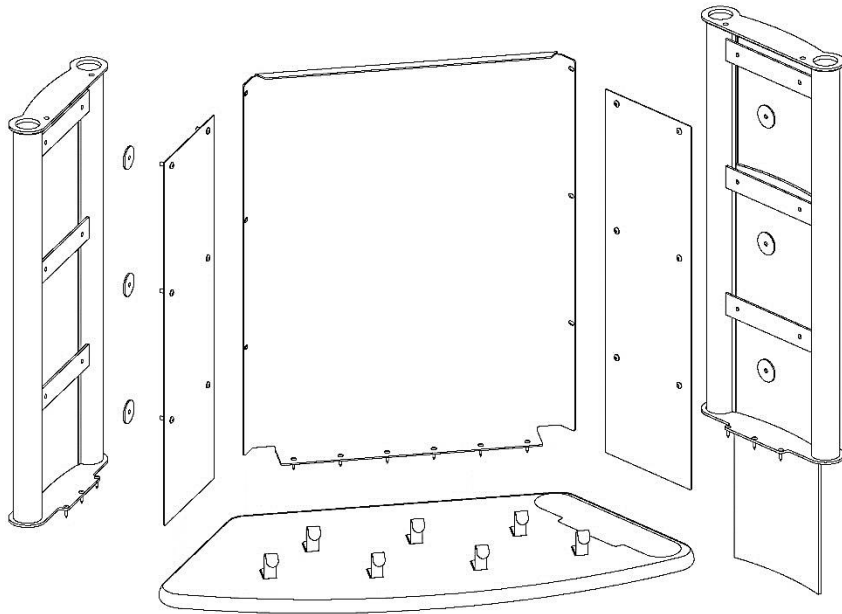
WEDGE/IN-LINE BALL STORAGE TABLE ASSEMBLY

Assembly Instructions

1. Remove curved panels.
2. Mount racks to the table legs using screws into the threaded holes of the racks.
3. Slide panels into table legs.
4. Mount leg to table top using the appropriate guidelines on the table top.



WEDGE/CONCOURSE TABLE ASSEMBLY (with Storage Option)



Assembly Instructions

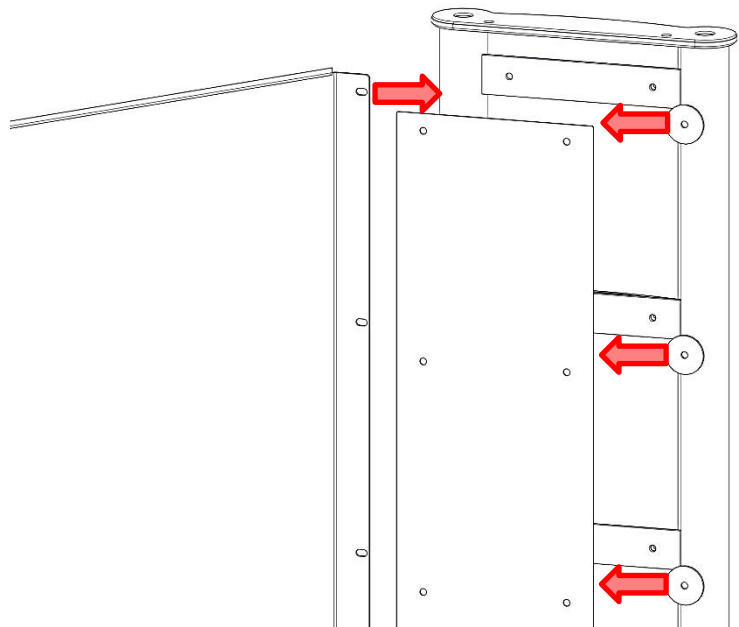
1. Remove curved panels.
2. The privacy panels must be installed to the table legs. See the section below.
3. Slide panels into table legs.
4. Mount legs and privacy panel to table top using the guidelines on the table top.
5. Mount coat hooks to table top aligning hooks to the pattern.

Installing Privacy Panels

The privacy panels are secured to the table leg with six bolts per leg. The main privacy panel uses three bolts on each leg and each side privacy panel uses six bolts with the leg it secures to.

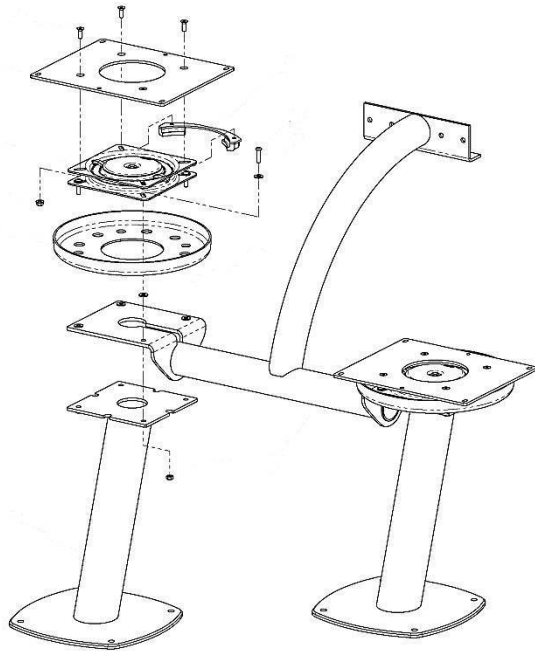
Privacy panels share bolts. The main privacy panel shares three bolts with each side privacy panel. The bolt passes through the side privacy panel, then through the main privacy panel, and finally through the leg.

The bolt that connects the other side of the side privacy panel to the leg must pass through a special washer to prevent distortion of the side privacy panel.

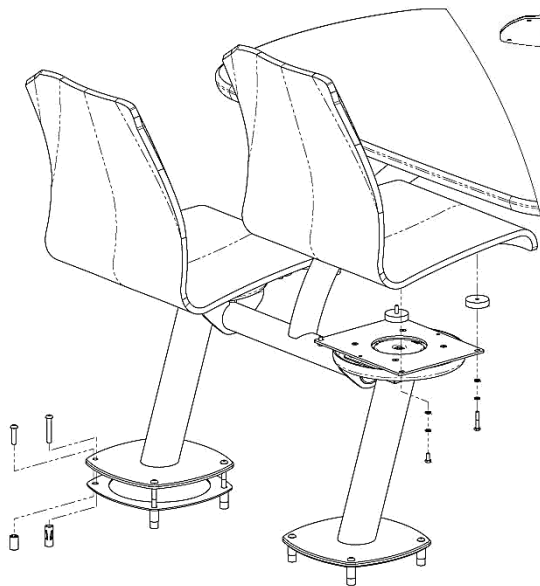




CLUSTER TABLE ASSEMBLY

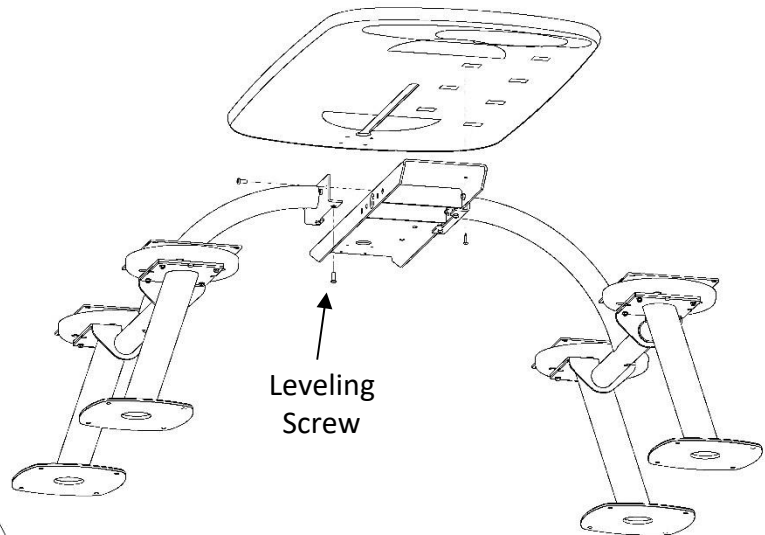


7. Install one completed cluster weldment to the large cluster weldment bracket that installs underneath the center of the table top.
8. Install the other cluster weldment the same way on the other side of the cluster weldment bracket.



Assembly Instructions

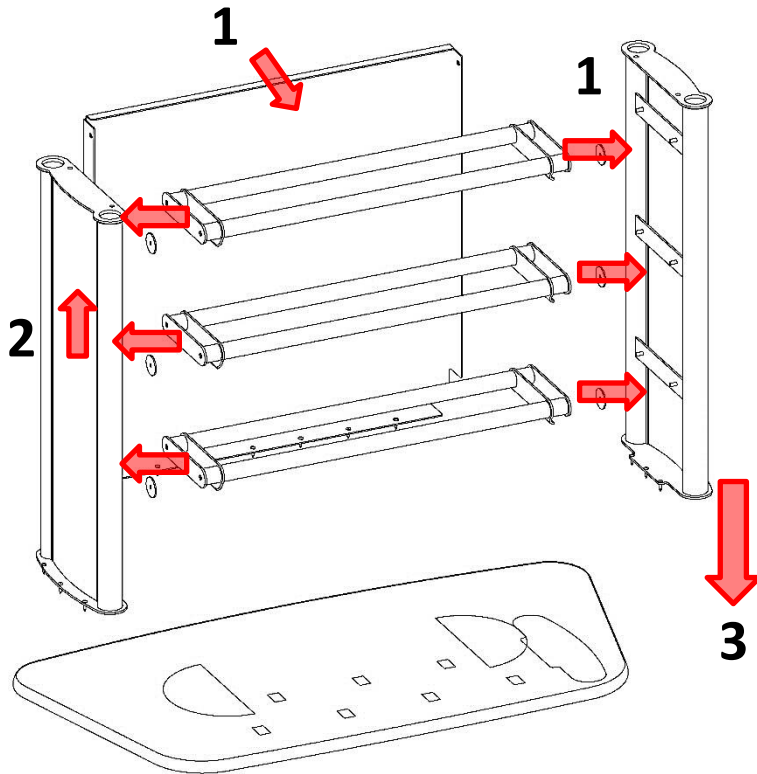
1. Pedestals and swivels must be installed to the cluster weldment.
2. Align the pedestal under the cluster weldment.
3. Align the swivel cover and swivel on top of the cluster weldment and in line with the pedestal.
4. Secure/install the swivel, swivel cover, and pedestal to the cluster weldment using predrilled holes.
5. Install the stop weldment in the swivel towards where the table top will be.
6. Install the seat adapter on top of the swivel.



9. Secure the cluster weldment bracket to the bottom side of the table top by aligning the four predrilled holes at the end of the table top with the four predrilled holes in the end of the weldment bracket.
10. Secure the seats to the seat adapters.
11. Seat spacers need to be installed under the front of the seats.
12. Mount the table to the floor.



CONCOURSE TABLE ASSEMBLY (with Ball Rack)

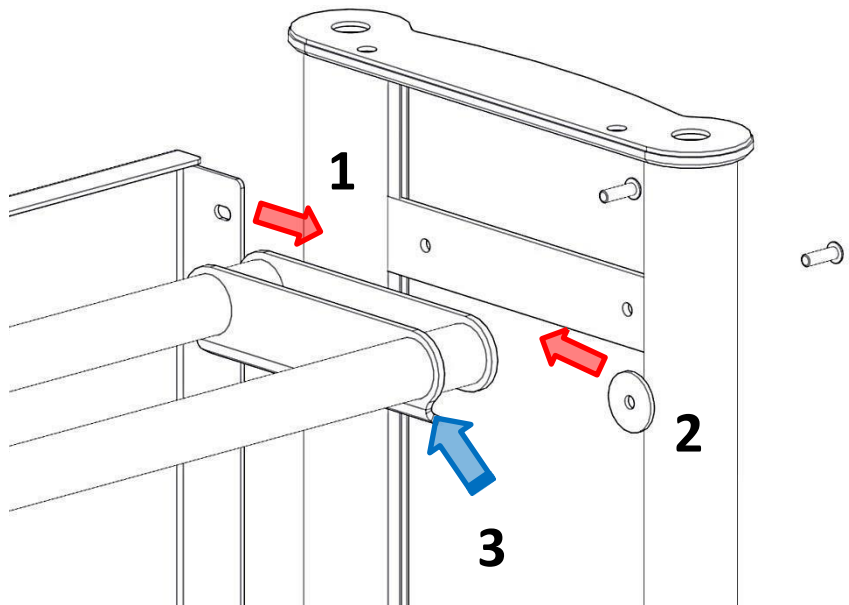


Assembly Instructions

1. The privacy panel and ball racks must be secured to the table legs. *(See the Installing Privacy Panel and Ball Racks section below.)*
2. Curved panels must be slid into each table leg.
3. Privacy panel and table legs must be installed to the table top using the guidelines on the table top and screws provided with the table top.

Installing Privacy Panel and Ball Racks

1. The privacy panel and ball rack are secured to the table leg with the same bolt.
2. The bolt that connects the other side of the ball rack to the leg must pass through a special washer to keep the legs square to the racks
3. **Note:** Each ball rack must be installed so that the ball stop bracket on either end of the ball tack (shown on the right) will be pointing up when the table is complete.

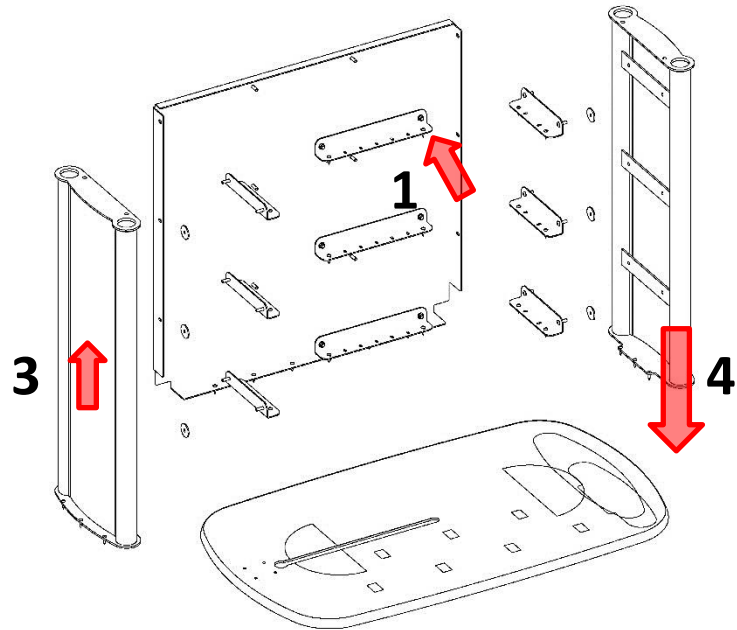




CONCOURSE TABLE ASSEMBLY (with Shelves Option)

Assembly Instructions

1. The three panel shelf brackets should be bolted to the privacy panel using the predrilled holes. Bolts should be installed through the panel and into the bracket.
2. Privacy panel and end shelf brackets must be installed to the table legs. See section below.
3. Curved panels must be slid into the legs.
4. Privacy panel and table legs must be installed to the table top using the guidelines on the table top and screws provided with the table top.
5. Install shelves to the shelf brackets by screwing through the brackets and into the shelves. Use screws provided with the shelves.

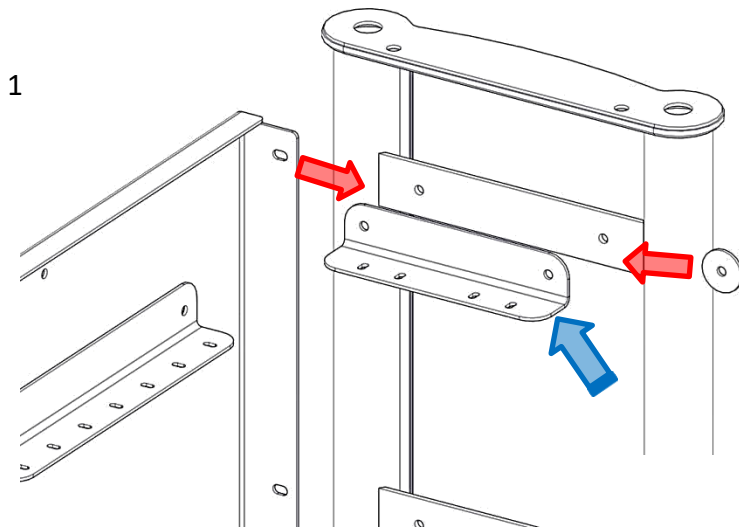


Installing Privacy Panel and End Shelf Brackets

1. The privacy panel and end shelf brackets are secured to the table leg with the same screw.
2. The screw that connects the other side of the end shelf bracket to the table leg must pass through a special washer to keep the legs square to the shelves.

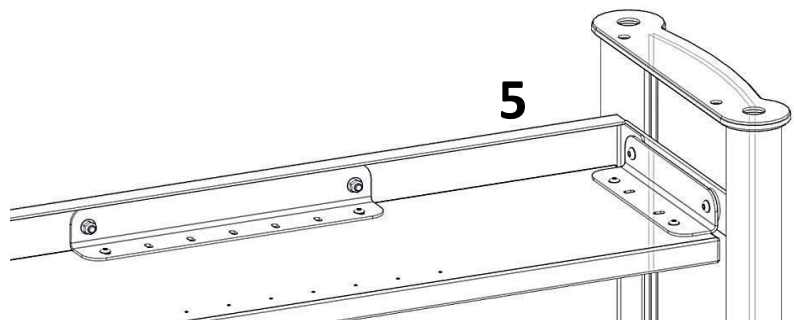
Both screws should pass through the bracket and into the table leg.

Note: The view to the left is of the table upside-down. The shelf brackets must be installed with their orientation as shown.



Shelf Instructions

Shelves should be installed as shown. Screws should go through the bracket and into the shelf.





COMPONENT MOUNTING

MOUNTING FURNITURE TO WOOD FLOORS

1. Arrange the furniture in the desired locations.
2. Mark the hole patterns for the items that will be installed using the pedestal bases as templates.
3. Move the pedestals aside and drill a pilot hole at every mark using a 39/64" (15 or 15.5 mm) bit.
4. Install wood insert using a 3/8" hex drive tool. Turn until flush.
5. After placing the wood insert in the hole, replace the item to be mounted and align the holes in the pedestal base with the insert holes. Be sure to position the foot pad in place between the item to be mounted and the wood floor before mounting.
6. Apply Loctite® 242 (provided) to the 3/8" button head screws and install with a hex drive tool.
7. Repeat this process for all other furniture items being mounted to wooden floors.

MOUNTING FURNITURE TO CONCRETE FLOORS

A high quality 3/8" or 1/2" hammer drill (with side handle) is recommended for drilling into concrete floors. Wear eye and ear protection when drilling into concrete as this process causes a lot of debris and hammer drills are very loud. **Anchors must be set by hand**, using an impact WILL damage the anchor and make it difficult to remove the bolt.

Note: We recommend the use of a 5/8" carbide masonry drill bit with the appropriate drive-type for the hammer drill being used to drill the pilot holes into concrete. Worn bits will drill undersized holes making anchor bolt installation difficult.

1. Arrange the furniture in the desired locations.
2. Mark the hole patterns for the items that will be installed using the pedestal bases as templates.
3. Move the pedestals aside and drill a pilot hole at every mark using a 3/8" bit.
4. Next, drill a 5/8" hole at every pilot at least 1" (25mm) deeper than anchor length.

Note: We recommend that the drilling be a two-person operation, if possible. This would allow for one person to operate the hammer drill while the other can vacuum near the drilling point to remove debris as it is generated and ensure the drilling is vertical to surface.





5. Remove concrete debris from the holes (vacuum or compressed air).
6. Install the anchors into the newly drilled holes. Anchors should sit as close to flush with the concrete floor as possible, but no higher. This can be done easily with just a few taps from a mallet.
7. Replace the item to be mounted and align the holes in the pedestal base with the holes in the concrete floor. Be sure to position the foot pad in place between the item to be mounted and the concrete floor before mounting.
8. Apply Loctite® 242 to the 3/8" button head screws, insert them through the holes in the base, and tighten with a hex drive tool while applying downward force.
9. Tighten the bolts. Do not impact, this will damage the anchors. Torque to 200 in-lbs.

Note: Removing the anchors, should you wish to do so, will be difficult. In most cases, you should plan on them being permanent.

STOOL MOUNTING

When mounting Harmony bar stools, be sure that the center of each base is at least 23" from the center of the next bar stool base. Mounting with the proper distance between bar stools ensures that fingers will not be smashed between colliding stools and also prevents stools from becoming damaged from colliding with one another.





HARMONY FURNITURE CLEANING AND CARE INSTRUCTIONS

Cleaning Upholstered Harmony Sofas and Benches

The upholstery on QubicaAMF's Harmony seating is high quality commercial vinyl that incorporates anti-bacterial, anti-microbial, mildew and stain resistance into its construction, making it ideal for the bowling environment. While the Harmony vinyl is of very high quality and durability, a proper cleaning routine is essential to maintain its welcoming appearance and prolong the life of the upholstery. All vinyl's designed for use in the hospitality industry. If cleaned with the wrong types of cleaning solutions, will lose its softness and flexibility over time and ultimately crack. Even over exposing commercial grade vinyl to approved cleaning solutions can shorten the materials lifespan. Following the simple cleaning and care guidelines outlined in this manual will ensure the best performance and longest life from the upholstery.

Daily Care and Cleaning

Each day the seating should be cleaned by vacuuming or brushing lightly with a soft, dry lint-free cloth to remove dust, loose dirt, food crumbs and grime. This will prevent build-up. Any stains or soiled areas found during daily cleaning should be spot-treated immediately, following the guidelines described in the "Removing Tough Stains" section of this guide. Because the Harmony vinyl upholstery is constructed with anti-bacterial, anti-microbial, mildew and stain resistance it is not necessary, or recommended, to do an overall wipe-down with a liquid cleaning solution daily. The upholstery may be wiped daily with plain water and then dried.

Periodic Cleaning

Only as needed, but not more than once per week, wipe down the seating surfaces using a spray mist solution of mild dish soap and water to remove ordinary dirt and smudges. **IMPORTANT** – Always rinse the cleaned area with a pure water spray mist and wipe dry with a **CLEAN**, lint-free cloth. Any stains or soiled areas found should be spot-treated immediately, following the guidelines described in the "Removing Tough Stains" section of this guide.

If an area of the seating requires disinfection, then clean/disinfect the soiled area with up to a 10% solution of Household Bleach and water. **NEVER** use non-diluted bleach on the upholstery. Avoid using bleach if regular cleaning is enough. **IMPORTANT** – Always rinse the cleaned area with a pure water spray mist and wipe dry with a clean, lint-free cloth.

Removing Tough Stains

Most dirt, grime and smudges can be removed with a cleaning solution of mild dish soap and water, but a tougher stain may require spot-treating with a stronger cleaning solution. Below are the cleaning guidelines for these situations.

Food/Organic Stains

For stains, such as ketchup, chocolate, oils, tea and coffee, etc., spot clean by wiping the affected area with a soft cloth, sponge, or soft bristle brush using either Formula 409 or Fantastik.

IMPORTANT – Always rinse the cleaned area with a pure water spray mist and wipe dry with a clean, lint-free cloth.





Other Difficult Stains

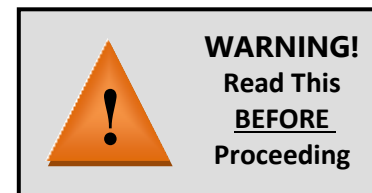
For difficult stains, such as grease, crayon, marker, eye shadow, etc., first try spot cleaning by wiping the affected area with a soft cloth, sponge or soft bristle brush using either Formula 409[®] or Fantastik[®]

If this fails to remove the stain, try cleaning the area with a solution of up to 50% Isopropyl Alcohol and water. If after 6 rubs the stain persists, then the stain has set and probably can't be removed without risking damage to the vinyl. **IMPORTANT** – Always rinse the cleaned area with a pure water spray mist and wipe dry with a clean, lint-free cloth.

Important Things to Remember.

The **ONLY** approved cleaners for the **Harmony vinyl upholstery** are as follows:

- A mild dish soap and water solution (Small capful of dish soap to 24 oz of water)
 - Formula 409[®]
 - Fantastik[®]
 - Solution of water and up to 50% Isopropyl Alcohol
1. **ALWAYS** rinse the cleaned area with a pure water spray mist and wipe dry with a clean, lint-free cloth.
 2. **NEVER USE** *abrasive powders, undiluted bleach, lacquer, or industrial strength or solvent cleaners*
 3. **NEVER USE** Vinyl *conditioners* or *protectors*
 4. Contact QubicaAMF with questions about general cleaning or for help with a difficult stain.
 5. Use of unapproved cleaning solutions, improper cleaning procedures and/or failure to rinse cleaning solution off with clean water after cleaning (even if the cleaning solution is mild dish soap and water) will cause the vinyl to stiffen and brittle over time and lead to cracking. This could happen in as little as 12-18 months when proper cleaning procedures as outlined in this manual are not followed.
 6. Damage to the vinyl resulting from use of unapproved cleaning solutions, improper cleaning procedures and/or failure to rinse cleaning solution off with clean water after cleaning (even if the cleaning solution is mild dish soap and water) is not covered under warranty.



Budgeting for Seat Maintenance – Replacement Covers

While soft seating makes the bowling center more attractive and comfortable for guests, it is more susceptible to damage from cuts, punctures, rivets on pants, etc. than more traditional “hard seating” bowling furniture. For this reason, it is recommended to have replacement covers for your Harmony seating on hand in the event there is a need to replace a damaged seat bottom or back. This is typical practice for any business that provides soft seating for guests (like restaurants, bars, theatres, hotels and convention centers, airports, etc.).

QubicaAMF recommends maintaining an inventory of at least two covers for each type of seating element on the premises (i.e. 2 seat backs, 2 straight bench bottoms, etc.). Larger centers with 20 or more lanes of soft seating may want to maintain a higher level of inventory.





REUPHOLSTERING CHAIRS, BENCHES AND SOFAS

Your chairs, benches, and sofas have been designed such that the fabric can be replaced if necessary. We recommend that any re-upholstering work be performed by a professional.

NOTE: *QubicaAMF is not responsible for any damage to the sofa as a result of work performed by your local professional or other persons.*

Cleaning Harmony Laminate (Infinity Sofa Bases)

Clean all sofa base surfaces with a diluted solution of mild dish soap and warm water. Wipe dry after cleaning. No other cleaning products are recommended. Using other cleaning chemicals can damage the finish on the laminate. Touch-up markers (263-003-395-XX) are available to help hide scratches.

Cleaning Harmony Table Tops and Laminated Surfaces (Energy Seats)

Harmony table tops and laminated surfaces can be easily wiped clean with just a clean, damp cloth or sponge using a mild dish soap and warm water solution, **Polishes and sealers are not recommended as the Harmony table tops have their own luster. Application of these products will cause a residue buildup.** A variety of general-purpose cleaners have been tested on the Harmony table tops and found to be safe for cleaning the table tops. These include: Fantastik[®] and Formula 409[®], All-Purpose Cleaner, most mild dishwashing detergents.

We do not recommend the use of any cleaners with bleach or anti-bacterial formulas as they can damage the finish of the table top.

Abrasive cleaners/powders and metal or abrasive-coated scouring pads should NOT be used as they can permanently dull and scratch the laminate and make it more susceptible to staining.

Do not use any cleaning supplies with bleach, hydrochloric acid, sulfuric acid, hydrofluoric acid, sodium hydroxide, or pumice (abrasive) as these can damage the table top surface.

Touch-up markers (263-003-395-XX) are available to help hide scratches in the finish. Available colors include: Empire Mahogany, Empire Mahogany, Sugar Maple, Wisconsin Oak, Anthracite Grey, Bittersweet, Forsythia, French Blue, Greige, Navajo Red, Navy Blue, Royal Blue, Slate, and Sofa Base.

Food Stains

Though most spills are easily wiped away, certain food stains such as tea, food dyes, fruit drinks, or coffee may be more difficult to remove. A thorough cleaning using a mild dish soap and warm water solution cleaner, or general-purpose cleaner like Fantastik[®] or Formula 409[®] and a soft bristle nylon brush is recommended for removing stains. This procedure will also remove water marks, glass rings, and greasy fingerprints.





Ink Stains

Stains from pencil marks and inks such as felt tipped pens, food pricing labels, textile dyes, newspaper print, and other indelible inks can sometimes transfer to the laminate surface and could become permanent. In order to reduce the risk of permanent damage, stains should be removed as quickly as possible. If necessary, use full strength detergent or a spray glass cleaner. Allow cleaner to remain on the stain for several minutes, blot with a damp cloth, then rinse. If stubborn stains persist contact technical support for more aggressive cleaning suggestions. **Do NOT use any of these solvents on the wood bases as they can damage the finish.**

Harmony tabletops are designed to resist wear and abrasion, but the surface can still be damaged, even from normal use. Be careful with objects that have rough bottoms as they can cause scratches and excessive wear. Never use knives or hammers directly on the tabletops. Dropping objects (especially heavy items) on the tabletop can result in chips and/or cracks.

To hide or repair scratches in the tabletop There are a couple different options. Be sure to thoroughly clean tabletops with warm, soapy water first:

- For smaller scratches *Furniture Paste Wax* – Apply a coat of wax using a soft, cotton cloth. Work the wax into the scratch(es) and then lightly spread more over the rest of the tabletop. After drying for a few minutes, take another clean cloth and buff away any excess.
- For very deep scratches *Plastic Laminate Filler* – Apply a color laminate filler that closely resembles the tabletop. This can be found at most hardware stores. Follow manufacturer's instructions and allow 24 hours to dry before using the tabletop.

Cleaning Harmony Steel Frames (Synergy and Energy Lines)

Clean all steel with a diluted solution of mild dish soap and warm water. All steel framing is painted/ rust-resistant. Remove any dust by wiping with a damp cloth. Use a strong nylon bristle brush to loosen rust stains that may occur around bolts and screws. Then, wipe away clean with a damp cloth.

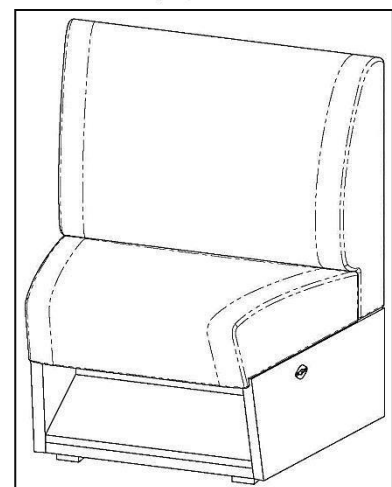
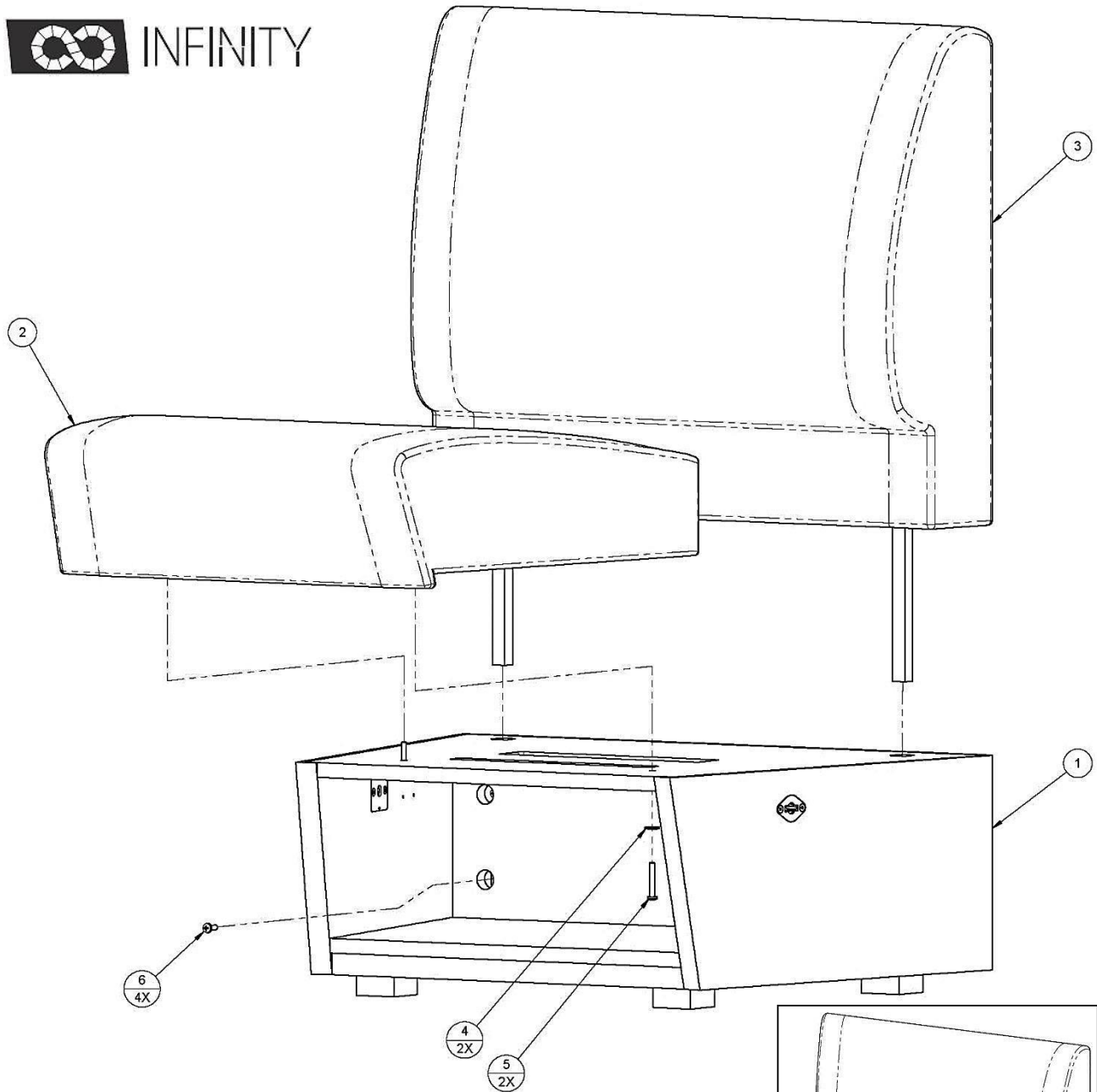
Cleaning Harmony Table Pedestals and Painted Surfaces

Handle painted metal surfaces with care to avoid hitting one against another and possibly chipping paint. Wash surface solution of warm water and a mild dish soap detergent. A brush may be needed to clean grooves (a toothbrush works well for especially small grooves). Rinse thoroughly with clean water and then either wipe dry or allow to air dry. All steel table pedestals are painted and rust-resistant.





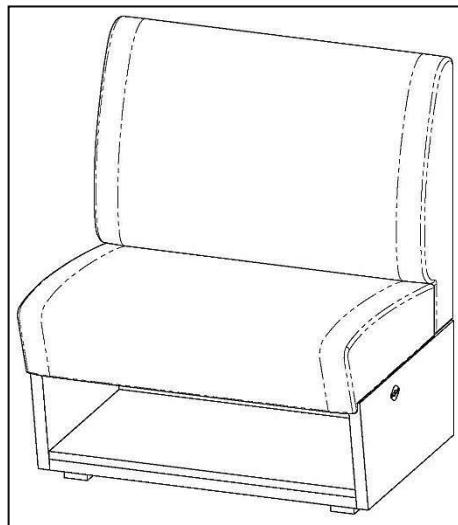
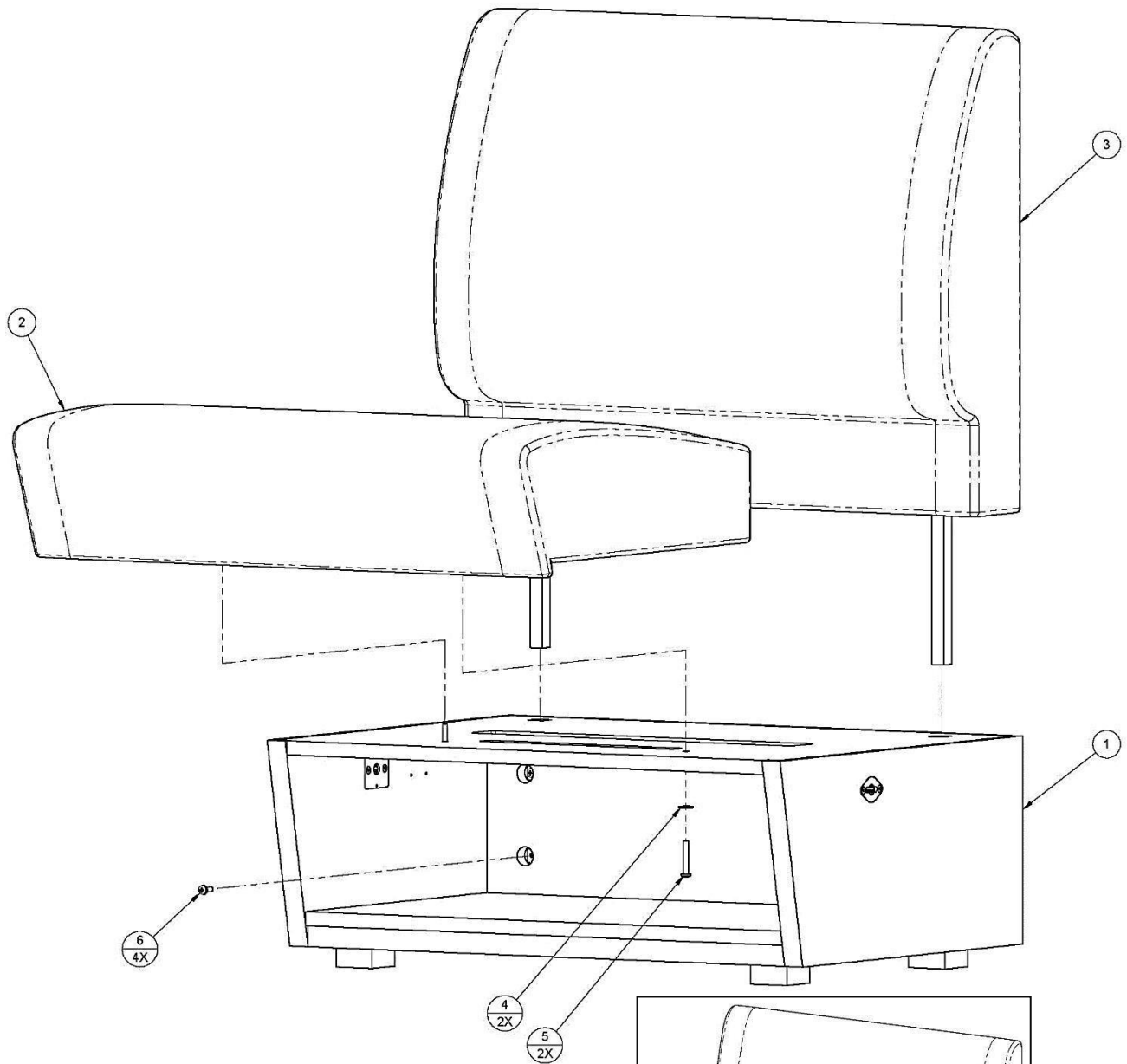
DRAWINGS AND PART NUMBERS



Straight Sofa, 612-300-222

Item	Part No.	Description
1	263-003-051	Straight Sofa Base
2	263-003-106-XX	Straight Sofa Seat
3	263-003-109-XX	Straight Sofa Back
4	945-056-122	FW 1/4 USS ZN
5	813-491-082	PHPMS 1/4-20 X 1.75 ZN
6	7016-412520-075	PHPMS 1/4-20 X 0.75 ZN

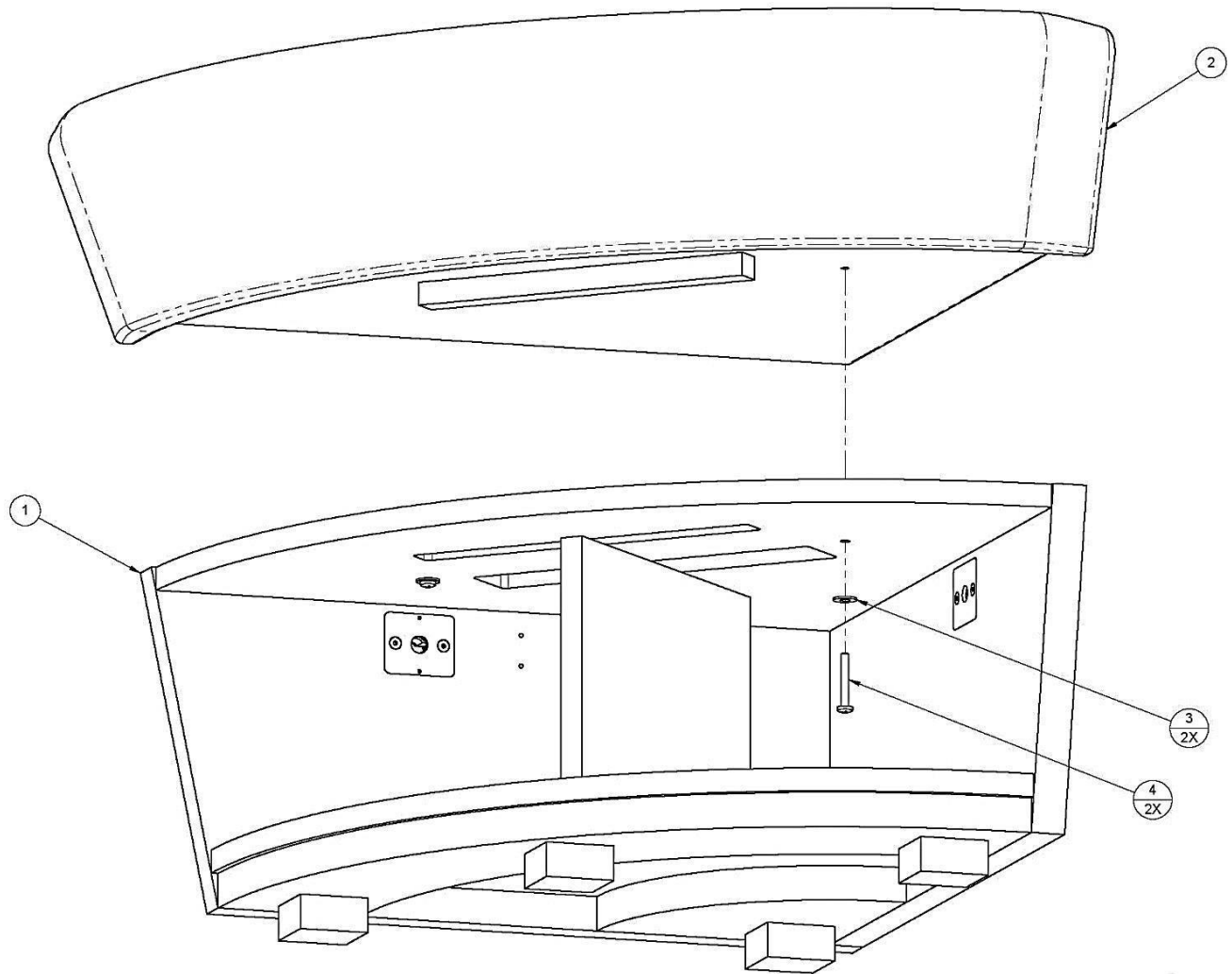




Item	Part No.	Description
1	263-003-052	Wedge Sofa Base
2	263-003-107-XX	Wedge Sofa Seat
3	263-003-110-XX	Wedge Sofa Back
4	945-056-122	FW 1/4 USS ZN
5	813-491-082	PHPMS 1/4-20 X 1.75 ZN
6	7016-412520-075	PHPMS 1/4-20 X 0.75 ZN

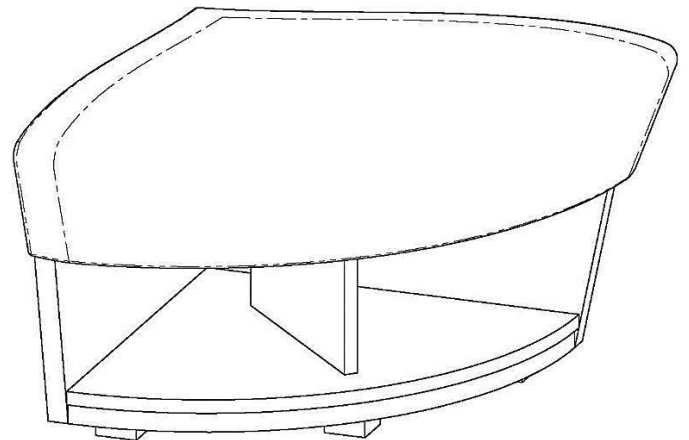


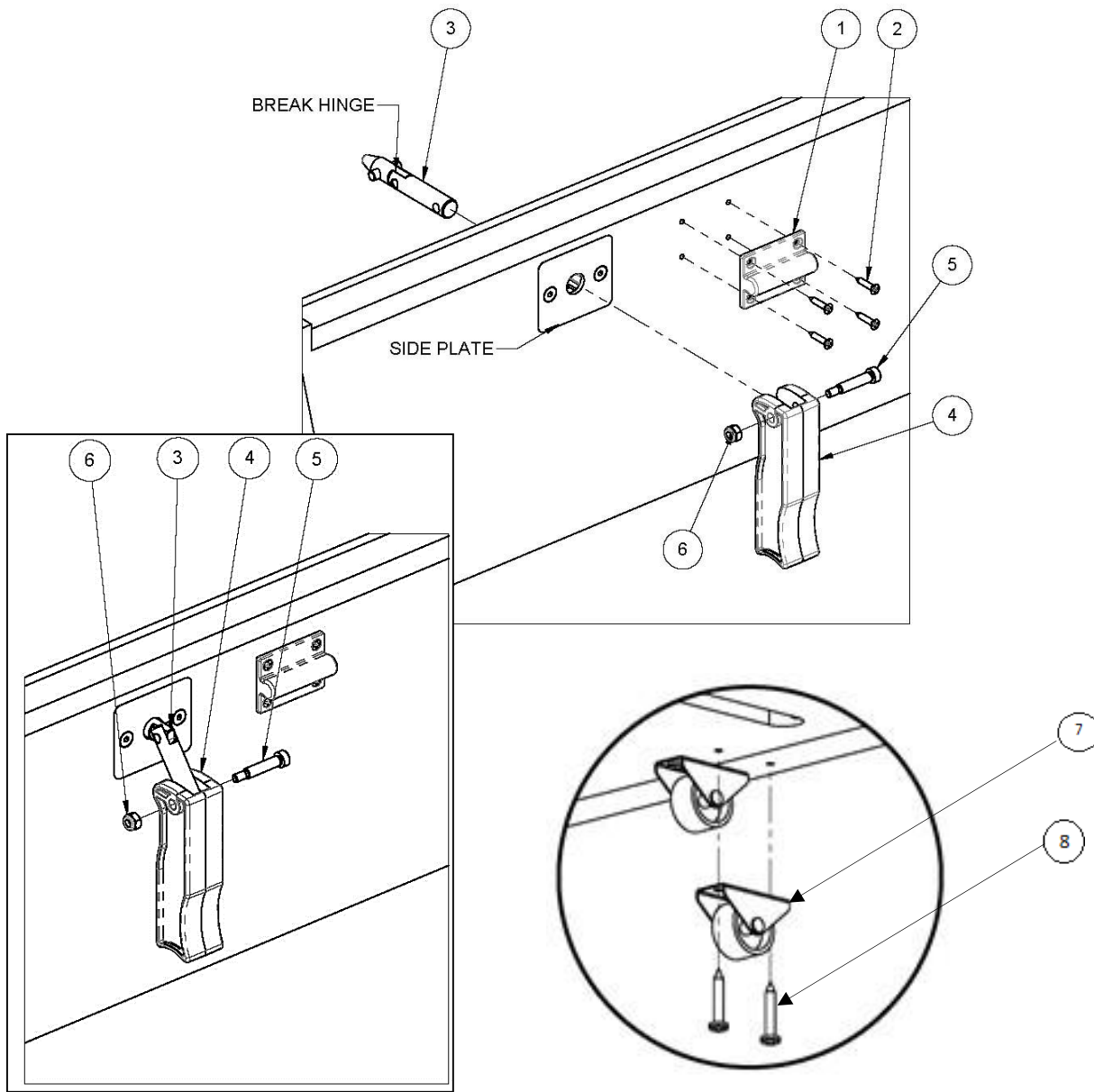
Wedge Sofa, 612-300-223



Quarter Round Sofa 613-300-224

Item	Part No.	Description
1	263-003-053	Quarter Round Sofa Base
2	263-003-108-XX	Quarter Round Sofa Seat
3	945-056-122	FW 1/4 USS ZN
4	813-491-082	PHPMS 1/4-20 X 1.75 ZN





Sofa Latch Mechanism & Wheels Kit, 612-300-286

Item	Quantity	Part No.	Description
1	1	263-003-099	Holder
2	4	815-026-127	FHQWS 6 X 0.75 ZN
3	1	263-003-272	Tee Pin Assembly
4	1	263-003-096	Handle
5	1	808-439-160	SHSSB .25 X 1.00
6	1	838-939-002	HLN 10-24 ZN NM
7	4	704-123-204	Caster, 25mm
8	8	7023-410800-100	PHPPS 8 X 1.00 ZN



Sofa Packages (612-300-270—282)

	<p>2 Straight Sofa Package 612-300-270</p>
	<p>Straight + Wedge Sofa Package 612-300-271</p>
	<p>Straight + 2 Wedge Sofa Package 612-300-272</p>
	<p>Straight + Wedge + Quarter Sofa Package 612-300-273</p>





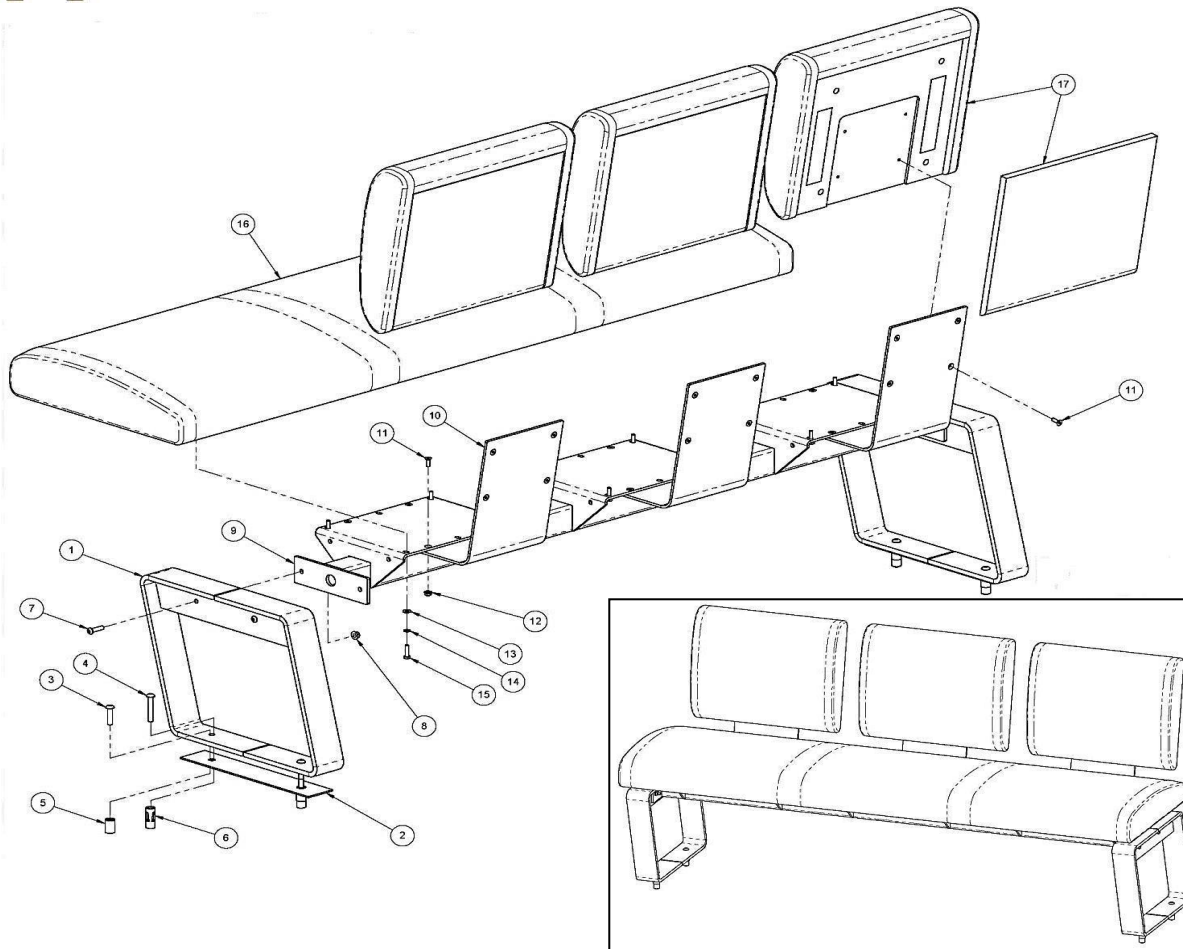
	<p>2 Straight + Quarter Sofa Package 612- 300-274</p>
	<p>Straight + 2 Wedge + Quarter Sofa Package 612-300-275</p>
	<p>2 Straight + Wedge + Quarter Sofa Package 612-300-276</p>
	<p>3 Straight Sofa Package 612-300-277</p>
	<p>2 Straight + 2 Quarter Sofa Package 612- 300-278</p>





	<p>2 Straight + 2 Wedge Sofa Package 612-300-279</p>
	<p>3 Straight + Quarter Sofa Package 612-300-280</p>
	<p>2 Straight + 2 Wedge + Quarter Sofa Package 612-300-281</p>
	<p>3 Straight + 2 Quarter Sofa Package 612-300-282</p>





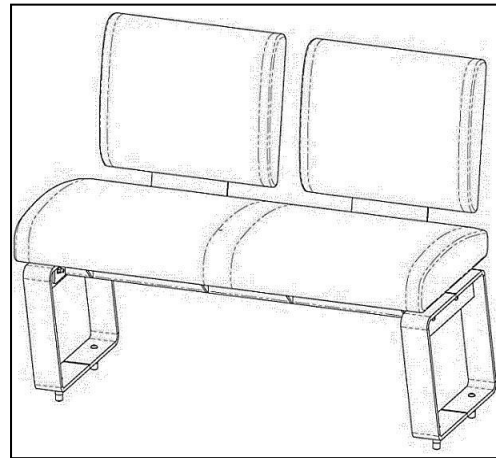
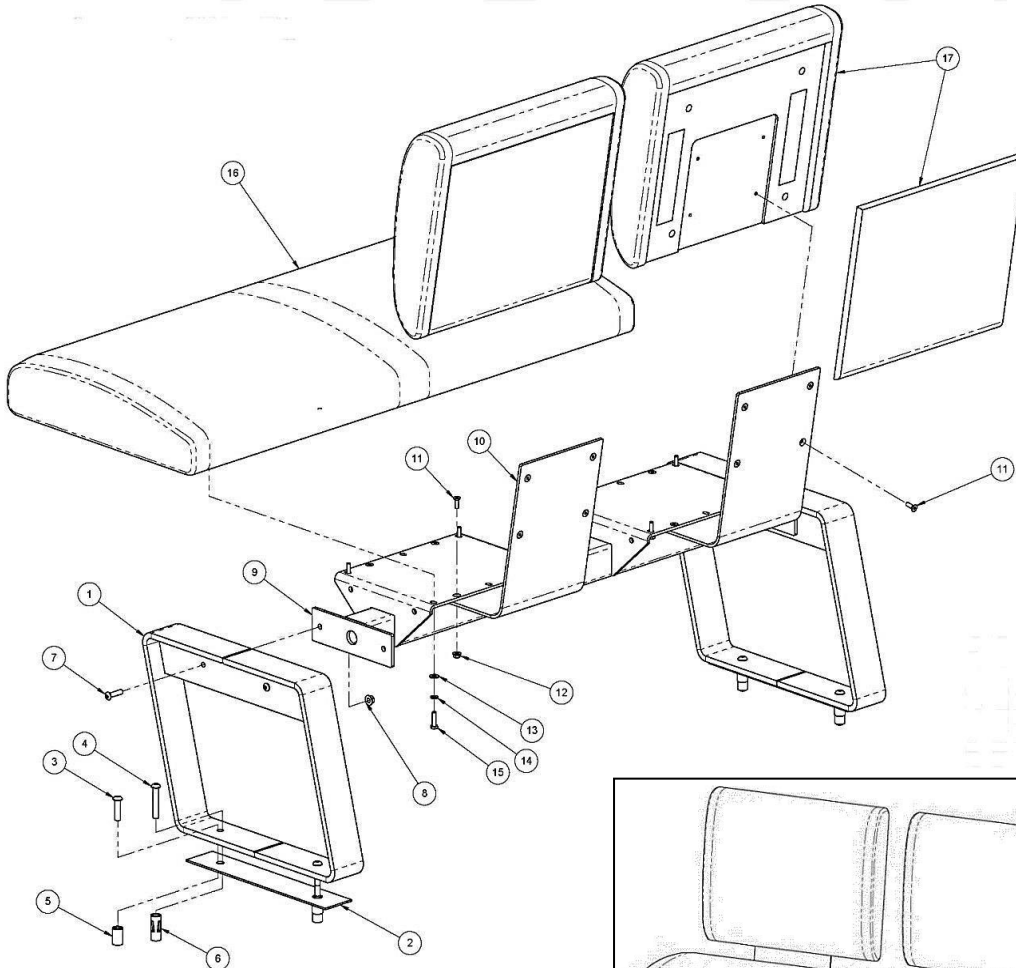
3-Seat Bench. 612-300-213

Item	Part No.	Description
1	263-003-025	Synergy Leg Loop Assembly
2	263-003-141	Bench Foot Pad
#3	813-549-247	BHSCS 3/8-16 X 1.50 ZN
*4	813-549-367	BHSCS 3/8-16 X 2.25 ZN
#5	709-009-053	3/8-16 Hex Drive Wood Insert
*6	709-009-052	3/8-16 Forway Anchor
7	808-557-207	BHSCS 5/16-18 X 1.25 ZN
8	856-157-007	HFLN 5/16-18 ZN STV
9	263-003-040	3-Seat Bar Weldment
10	263-003-380	Seatback Weldment
11	808-849-120	FHSCS 1/4-20 X 0.75 BO
12	856-149-007	HFLN 1/4-20 ZN STV
13	7050-028062-006	FW 1/4 SAE ZN
14	7060-025046-006	SWM 1/4 ANSI ZN
15	809-849-167	HHCS 1/4-20 X 1.00 GR5 ZN
16	263-003-013-XX	3-Seat Bench Cushion
17	263-003-135-XX	Seat Back Assembly

* - part of 263-003-270CT
 or
 # - part of 263-003-270WD

Qty.	Part No.	Description
*1	263-003-270CT	Concrete Synergy Bench Legs Kit
#1	263-003-270WD	Wood Synergy Bench Legs Kit
1	263-003-040	3-Seat Bar Weldment
1	263-003-383	3-Seat Soft Seat Kit
1	263-003-013-XX	3-Seat Bench Cushion
3	263-003-135-XX	Seatback Assembly





2-Seat Bench, 612-300-212

Item	Part No.	Description
1	263-003-025	Synergy Leg Loop Assembly
2	263-003-141	Bench Foot Pad
#3	813-549-247	BHSCS 3/8-16 X 1.50 ZN
*4	813-549-367	BHSCS 3/8-16 X 2.25 ZN
#5	709-009-053	3/8-16 Hex Drive Wood Insert
*6	709-009-052	3/8-16 Forway Anchor
7	808-557-207	BHSCS 5/16-18 X 1.25 ZN
8	856-157-007	HFLN 5/16-18 ZN STV
9	263-003-041	2-Seat Bar Weldment
10	263-003-380	Seatback Weldment
11	808-849-120	FHSCS 1/4-20 X 0.75 BO
12	856-149-007	HFLN 1/4-20 ZN STV
13	7050-028062-006	FW 1/4 SAE ZN
14	7060-025046-006	SWM 1/4 ANSI ZN
15	809-849-167	HHCS 1/4-20 X 1.00 GR5 ZN
16	263-003-012-XX	2-Seat Bench Cushion
17	263-003-135-XX	Seat Back Assembly

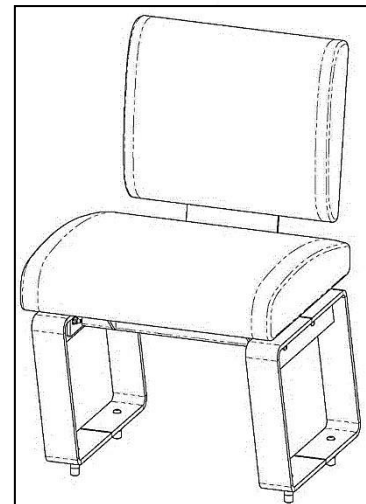
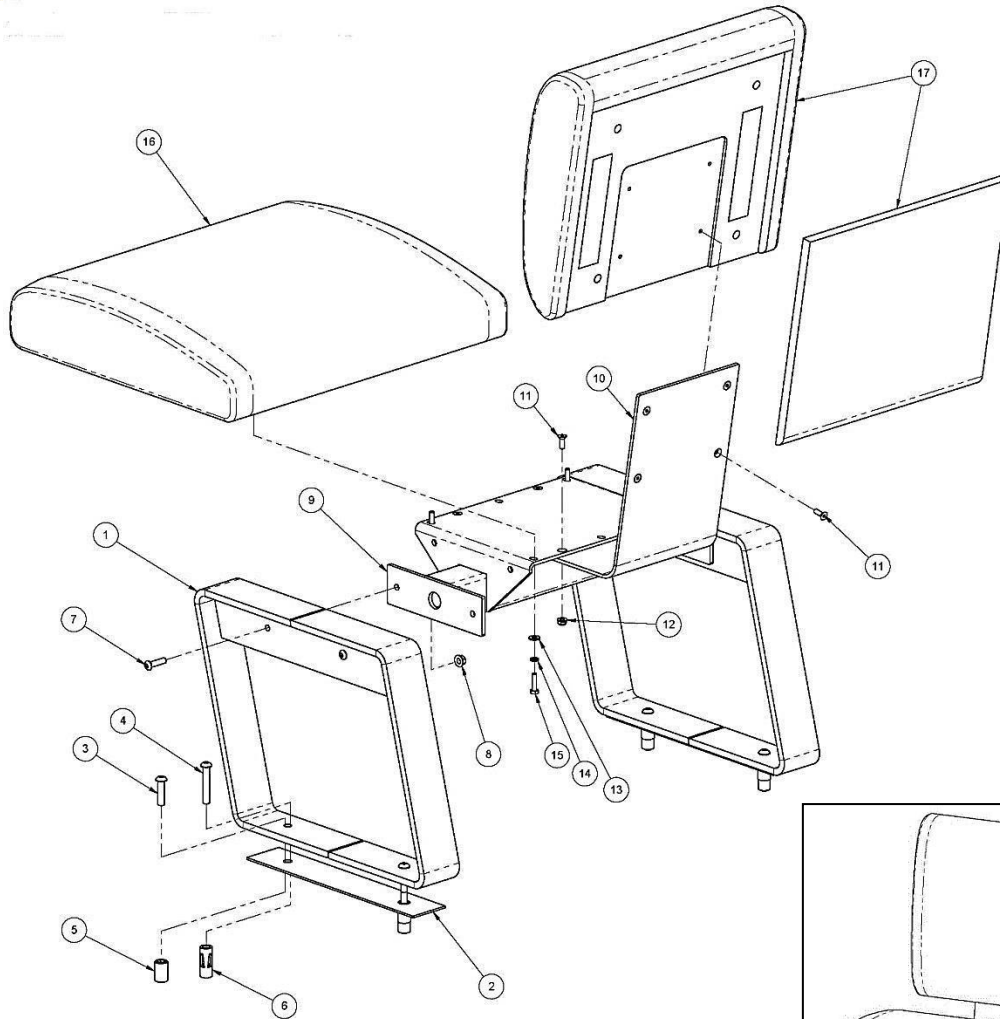
* - part of 263-003-270CT

or

- part of 263-003-270WD

Qty.	Part No.	Description
*1	263-003-270CT	Concrete Synergy Bench Legs Kit
#1	263-003-270WD	Wood Synergy Bench Legs Kit
1	263-003-041	2-Seat Bar Weldment
1	263-003-382	2-Seat Soft Seat Kit
1	263-003-012-XX	2-Seat Bench Cushion
2	263-003-135-XX	Seatback Assembly





1-Seat Bench, 612-300-211

Item	Part No.	Description
1	263-003-025	Synergy Leg Loop Assembly
2	263-003-141	Bench Foot Pad
#3	813-549-247	BHSCS 3/8-16 X 1.50 ZN
*4	813-549-367	BHSCS 3/8-16 X 2.25 ZN
#5	709-009-053	3/8-16 Hex Drive Wood Insert
*6	709-009-052	3/8-16 Forway Anchor
7	808-557-207	BHSCS 5/16-18 X 1.25 ZN
8	856-157-007	HFLN 5/16-18 ZN STV
9	263-003-042	1-Seat Bar Weldment
10	263-003-380	Seatback Weldment
11	808-849-120	FHSCS 1/4-20 X 0.75 BO
12	856-149-007	HFLN 1/4-20 ZN STV
13	7050-028062-006	FW 1/4 SAE ZN
14	7060-025046-006	SWM 1/4 ANSI ZN
15	809-849-167	HHCS 1/4-20 X 1.00 GR5 ZN
16	263-003-011-XX	1-Seat Bench Cushion
17	263-003-135-XX	Seat Back Assembly

* - part of 263-003-270CT

or

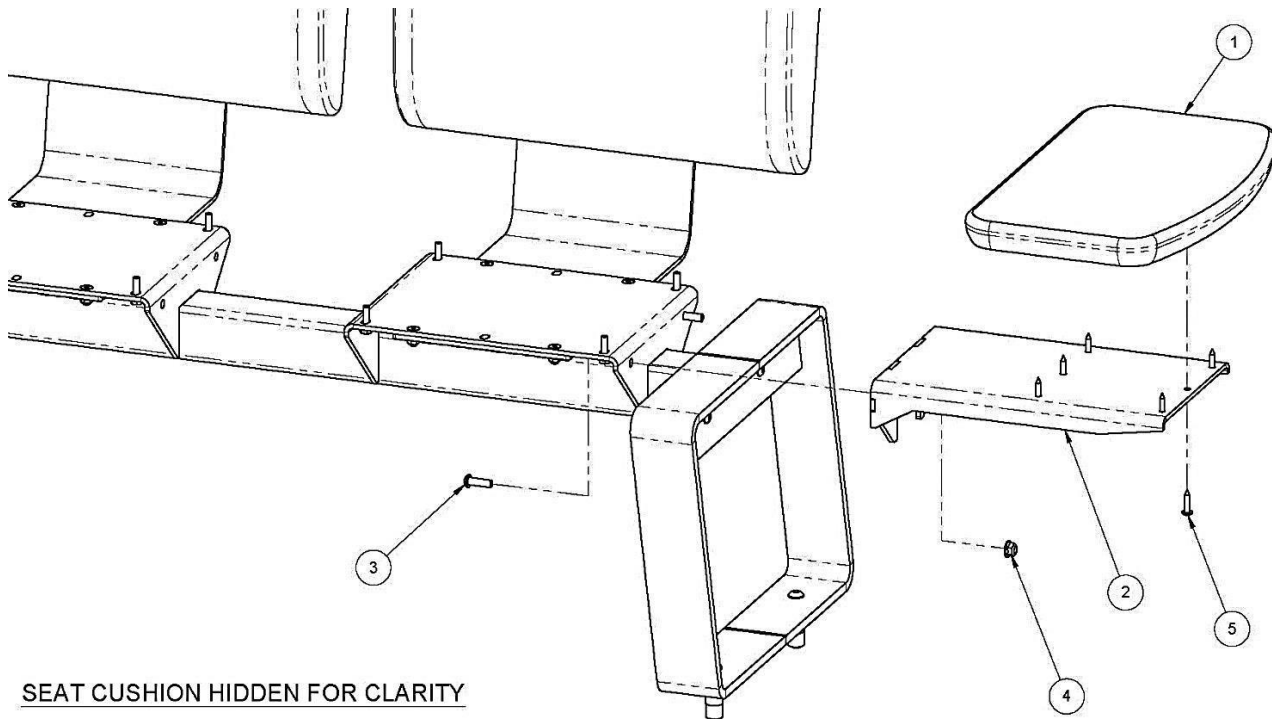
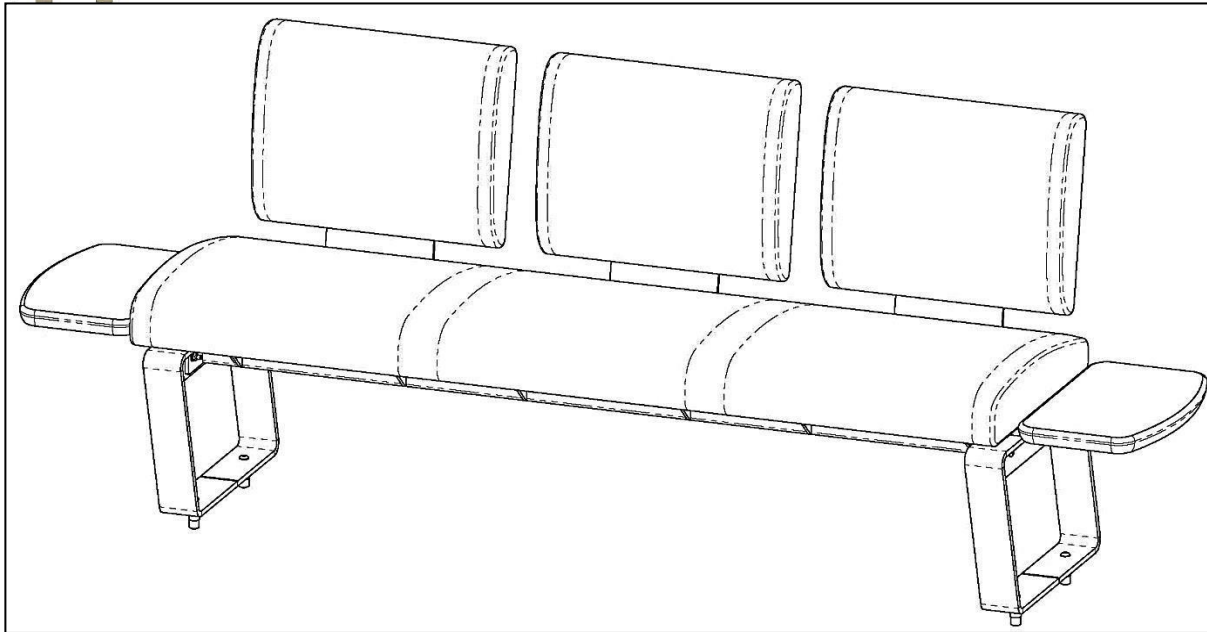
- part of 263-003-270WD

Qty.	Part No.	Description
*1	263-003-270CT	Concrete Synergy Bench Legs Kit
#1	263-003-270WD	Wood Synergy Bench Legs Kit
1	263-003-042	1-Seat Bar Weldment
1	263-003-081	1-Seat Soft Seat Kit
1	263-003-011-XX	1-Seat Bench Cushion
1	263-003-135-XX	Seatback Assembly





SYNERGY



SEAT CUSHION HIDDEN FOR CLARITY

3-Seat Bench with End Tables, 612-300-216

Item	Part No.	Description
1	263-003-030-XX	End Bench Table
2	263-003-033	End Bench Table Bracket
3	808-557-167	BHSCS 5/16-18 X 1.00 ZN
4	856-157-007	HFLN 5/16-18 ZN STV
5	7024-711000-100	THPTS 10 X 1.00 ZN TYA

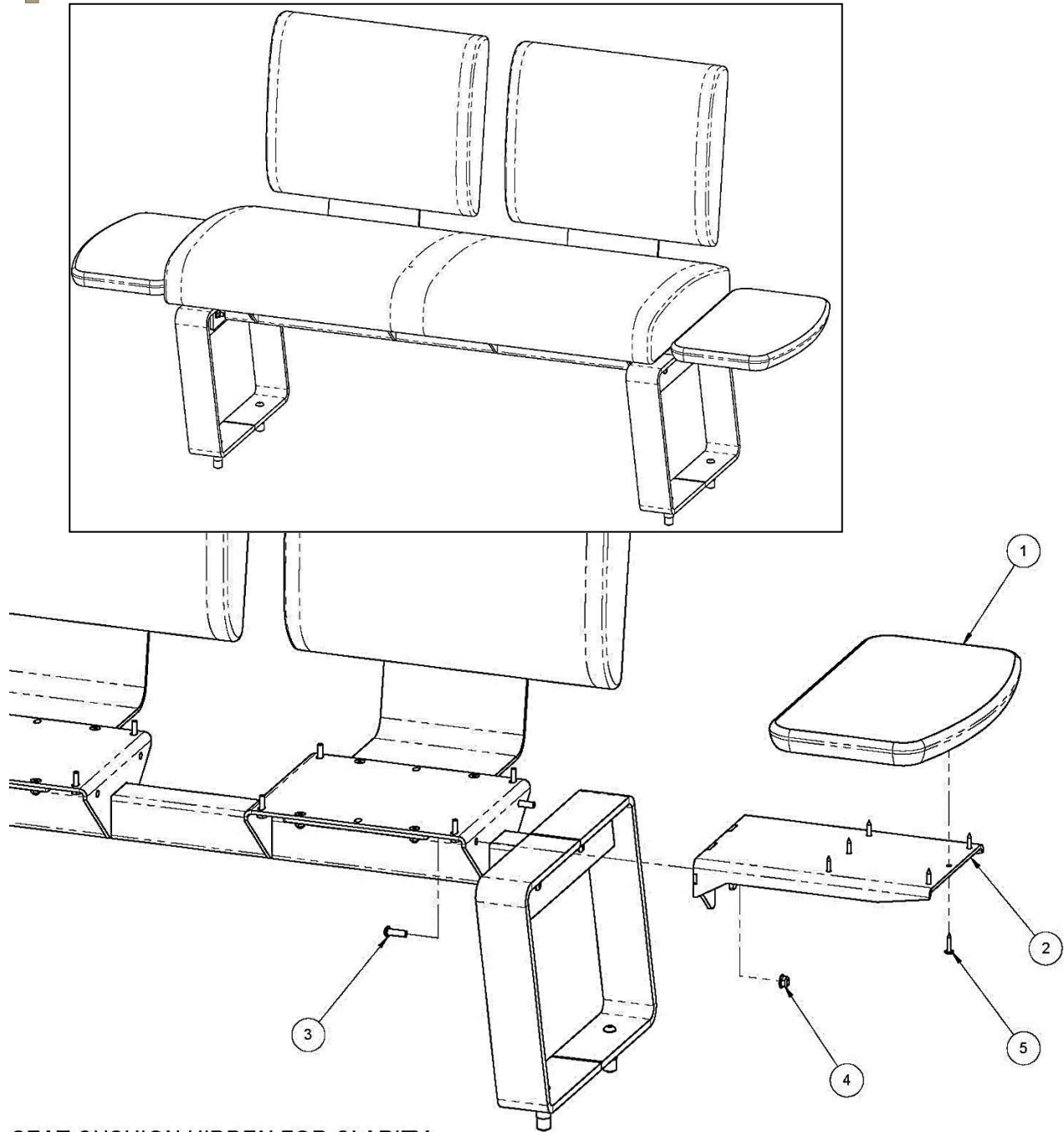
*The 3-Seat Bench (612-300-213) can be found on page 44.

Qty.	Part No.	Description
1	263-003-277	End Bench Tables Kit





SYNERGY



SEAT CUSHION HIDDEN FOR CLARITY

2-Seat Bench with End Tables, 612-300-217

Item	Part No.	Description
1	263-003-030-XX	End Bench Table
2	263-003-033	End Bench Table Bracket
3	808-557-167	BHSCS 5/16-18 X 1.00 ZN
4	856-157-007	HFLN 5/16-18 ZN STV
5	7024-711000-100	THPTS 10 X 1.00 ZN TYA

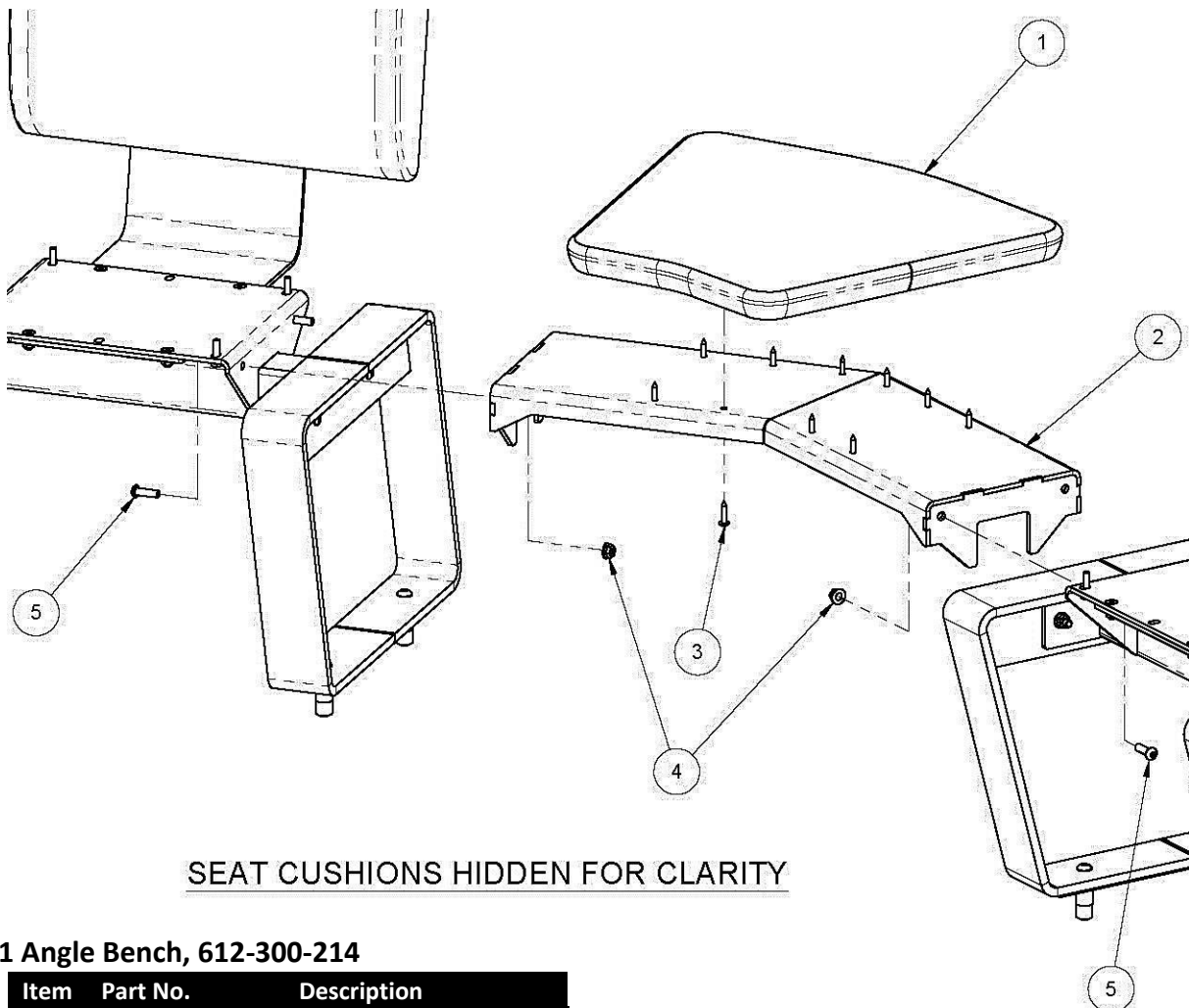
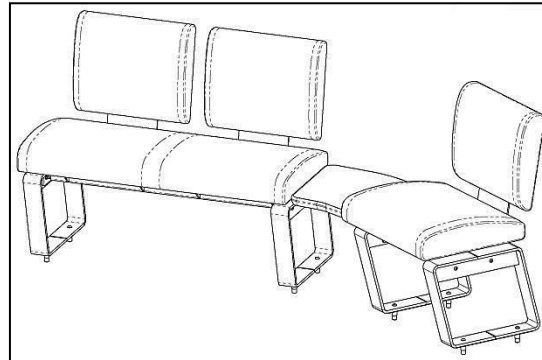
*The 2-Seat Bench (612-300-212) can be found on page 45.

Qty.	Part No.	Description
1	263-003-277	End Bench Tables Kit





SYNERGY



SEAT CUSHIONS HIDDEN FOR CLARITY

2+1 Angle Bench, 612-300-214

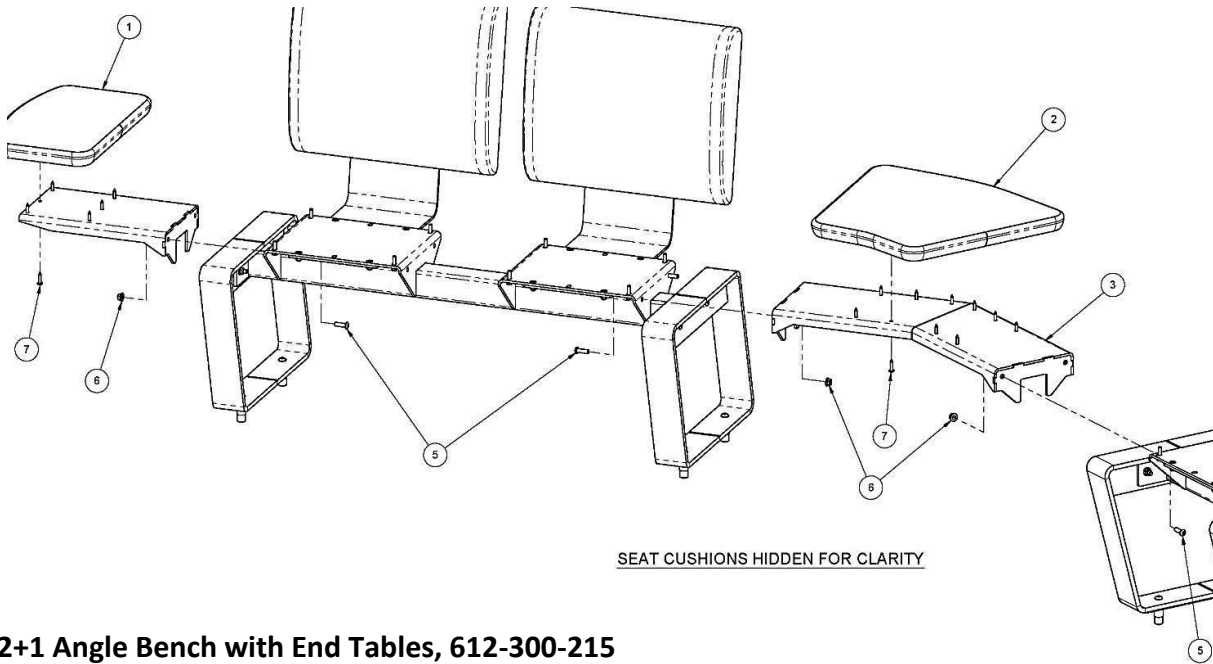
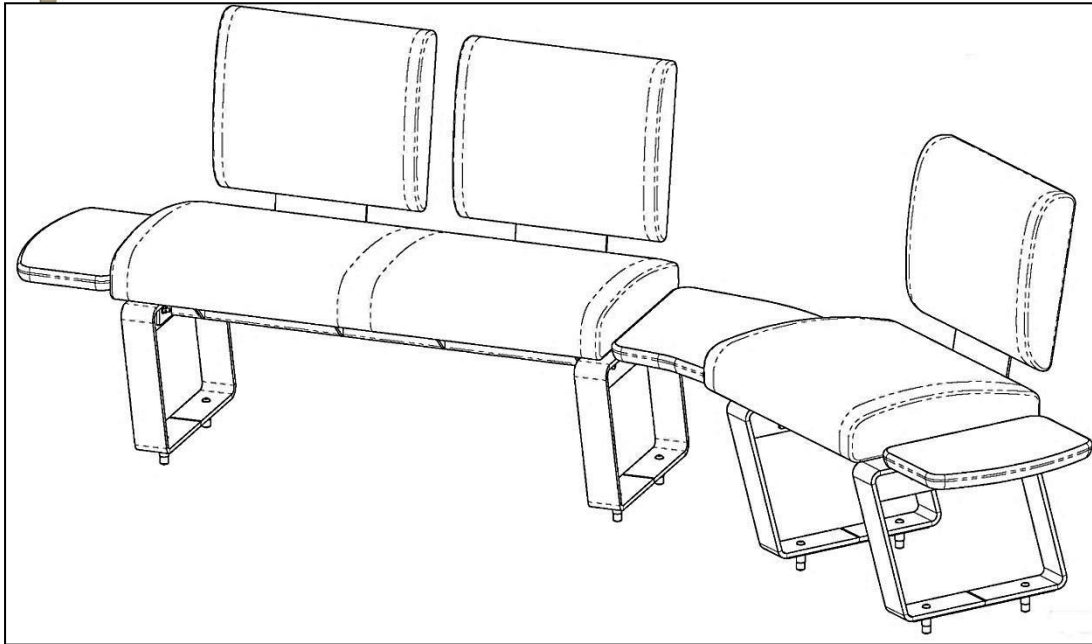
Item	Part No.	Description
1	263-003-031-XX	Angle Bench Table
2	263-003-034	Angle Bench Table Bracket
3	7024-711000-100	THPTS 10 X 1.00 ZN TYA
4	856-157-007	HFLN 5/16-18 ZN STV
5	808-557-167	BHSCS 5/16-18 X 1.00 ZN

*The 2-Seat Bench (612-300-212) and the 1-Seat Bench (612-300-211) can be found on pages 45 and 46, respectively.

Qty.	Part No.	Description
1	263-003-278	Angle Bench Table Kit



 SYNERGY



SEAT CUSHIONS HIDDEN FOR CLARITY

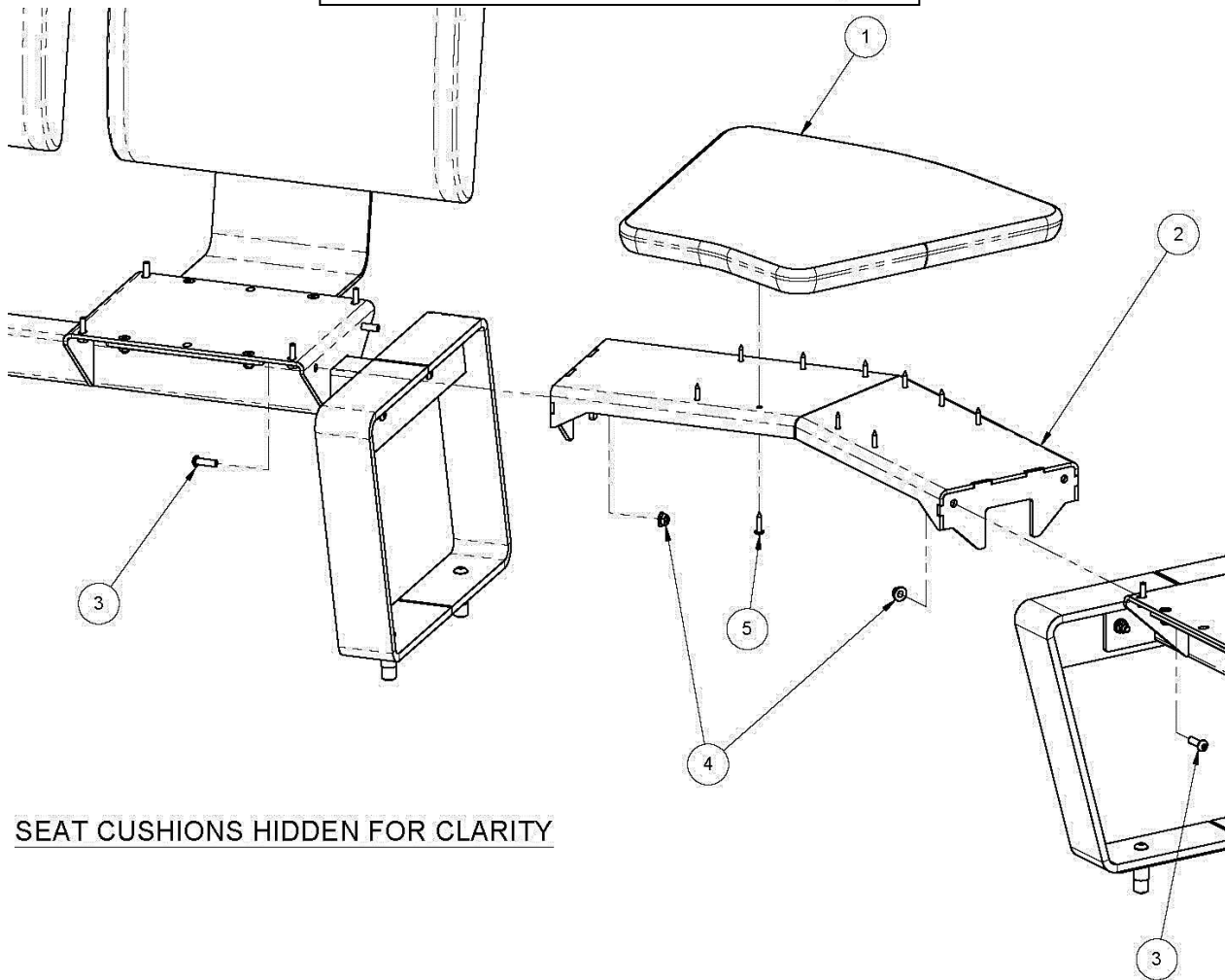
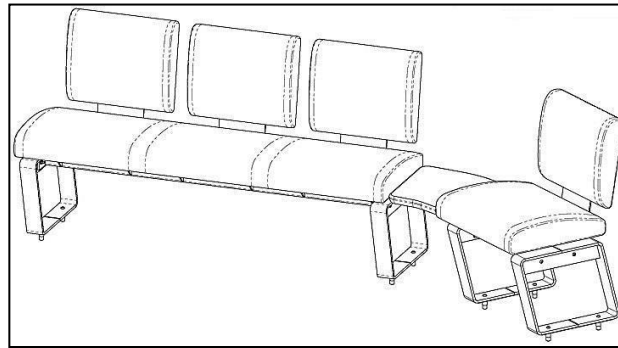
2+1 Angle Bench with End Tables, 612-300-215

Item	Part No.	Description
1	263-003-030-XX	End Bench Table
2	263-003-031-XX	Angle Bench Table
3	263-003-034	Angle Bench Table Bracket
4	263-003-033	End Bench Table Bracket
5	808-557-167	BHSCS 5/16-18 X 1.00 ZN
6	856-157-007	HFLN 5/16-18 ZN STV
7	7024-711000-100	THPTS 10 X 1.00 ZN TYA

*The 2-Seat Bench (612-300-212) and the 1-Seat Bench (612-300-211) can be found on pages 45 and 46, respectively.

Qty.	Part No.	Description
1	263-003-278	Angle Bench Table Kit
1	263-003-277	End Bench Tables Kit

 SYNERGY



SEAT CUSHIONS HIDDEN FOR CLARITY

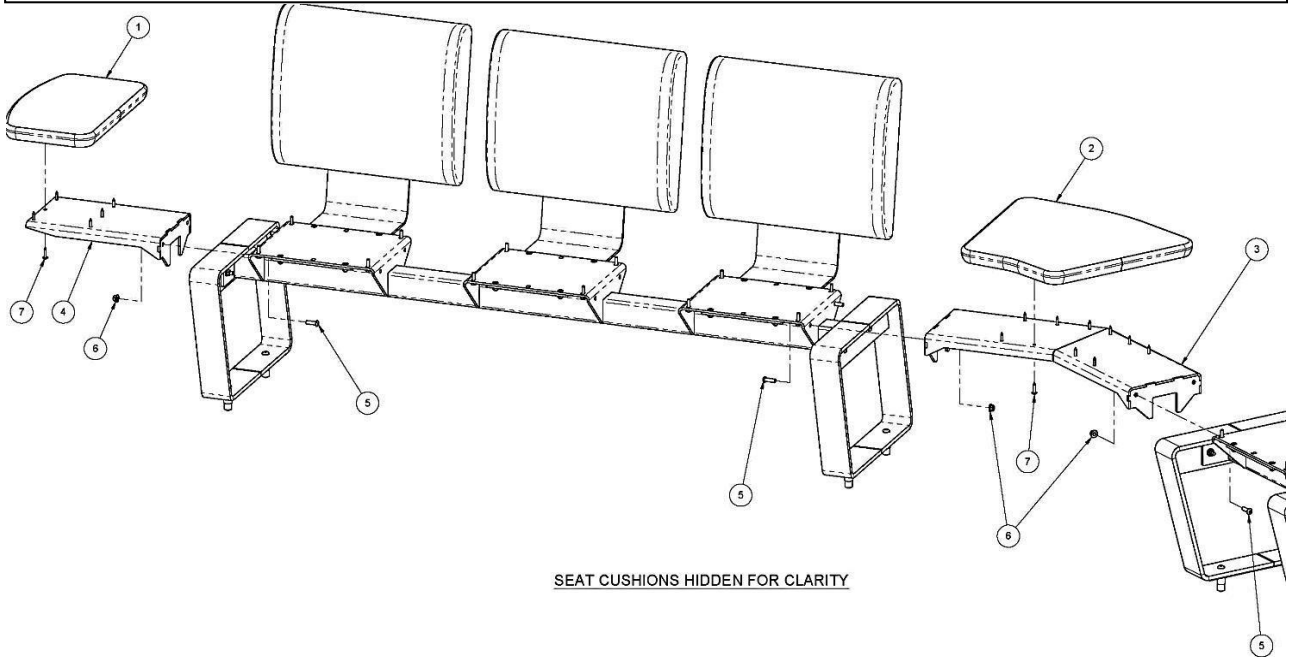
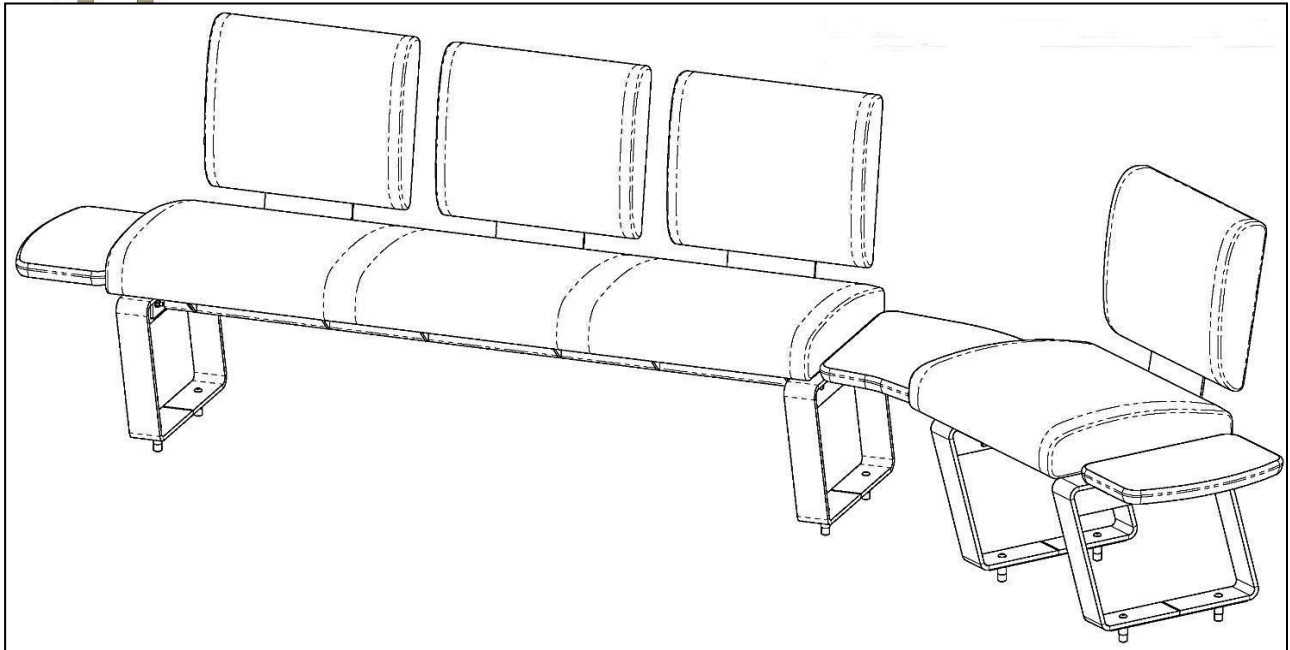
3+1 Angle Bench, 612-300-218

Item	Part No.	Description
1	263-003-031-XX	Angle Bench Table
2	263-003-034	Angle Bench Table Bracket
3	808-557-167	BHSCS 5/16-18 X 1.00 ZN
4	856-157-007	HFLN 5/16-18 ZN STV
5	7024-711000-100	THPTS 10 X 1.00 ZN TYA

The 3-Seat Bench (612-300-213) and the 1-Seat Bench (612-300-211) can be found on pages 44 and 46, respectively.

Qty.	Part No.	Description
1	263-003-278	Angle Bench Table Kit

 SYNERGY



3+1 Angle Bench with End Tables, 612-300-219

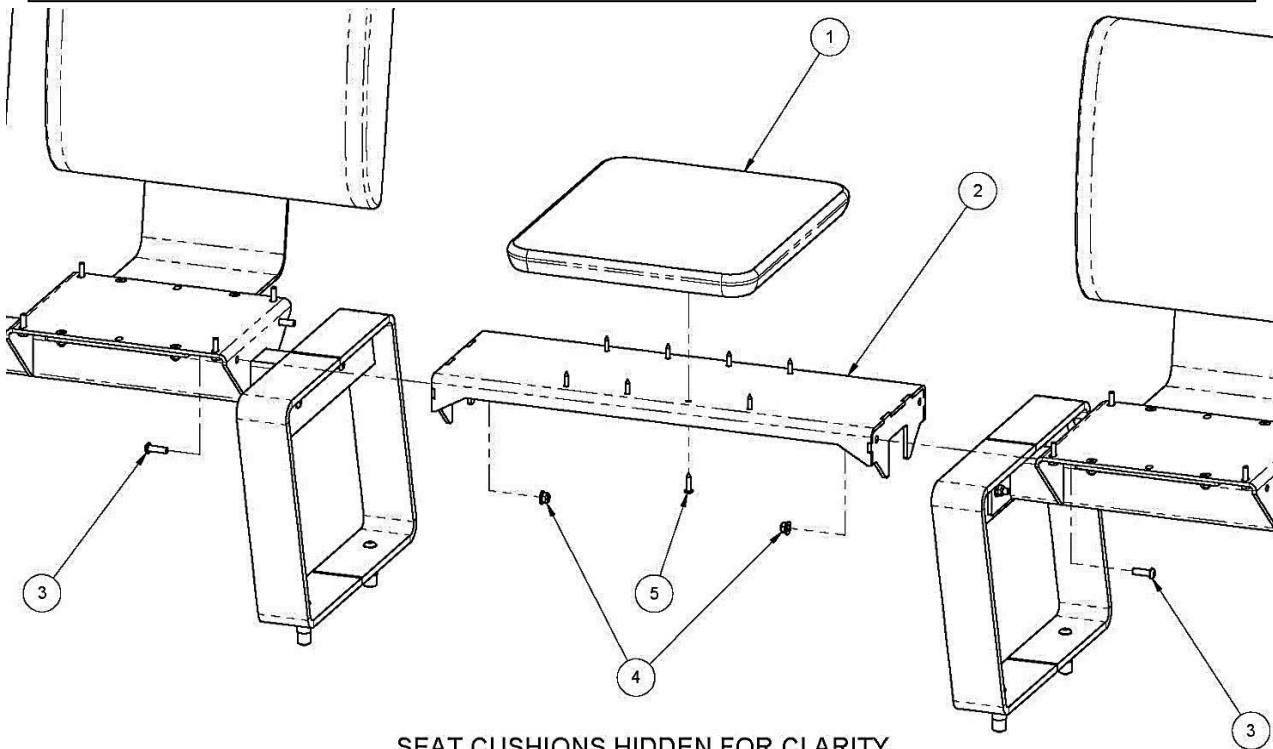
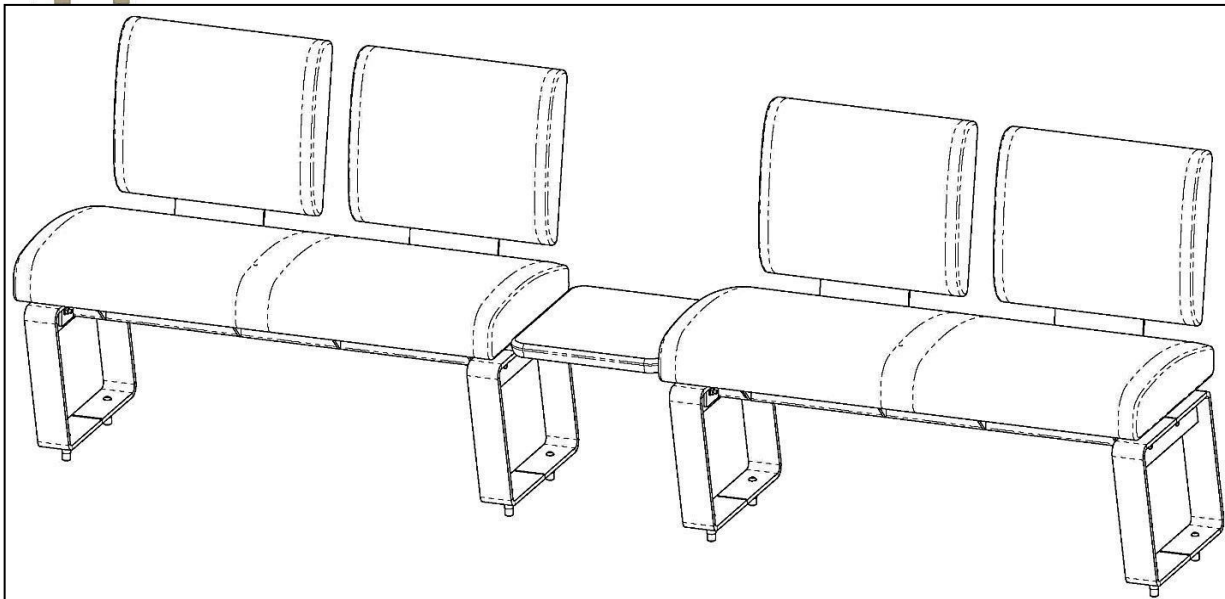
Item	Part No.	Description
1	263-003-030-XX	End Bench Table
2	263-003-031-XX	Angle Bench Table
3	263-003-034	Angle Bench Table Bracket
4	263-003-033	End Bench Table Bracket
5	808-557-167	BHSCS 5/16-18 X 1.00 ZN
6	856-157-007	HFLN 5/16-18 ZN STV
7	7024-711000-100	THPTS 10 X 1.00 ZN TYA

*The 3-Seat Bench (612-300-213) and the 1-Seat Bench (612-300-211) can be found on pages 44 and 46, respectively.

Qty.	Part No.	Description
1	263-003-278	Angle Bench Table Kit
1	263-003-277	End Bench Tables Kit



SYNERGY



SEAT CUSHIONS HIDDEN FOR CLARITY

2+2 Bench, 612-300-220

Item	Part No.	Description
1	263-003-032-XX	Union Bench Table
2	263-003-035	Union Bench Table Bracket
3	808-557-167	BHSCS 5/16-18 X 1.00 ZN
4	856-157-007	HFLN 5/16-18 ZN STV
5	7024-711000-100	THPTS 10 X 1.00 ZN TYA

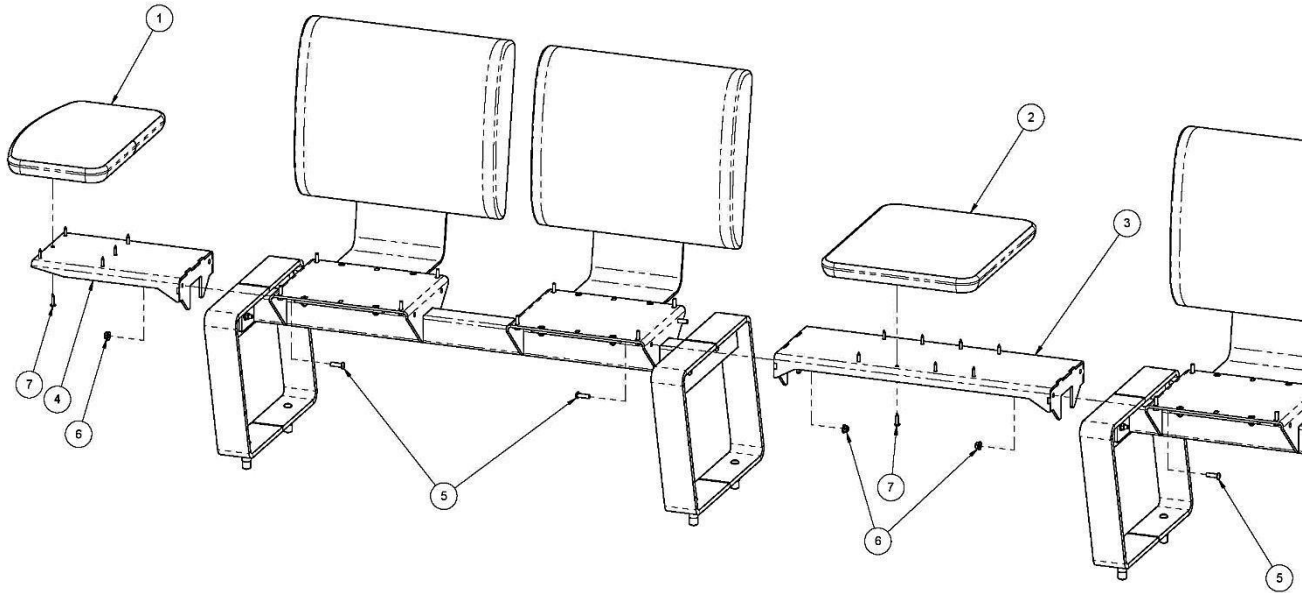
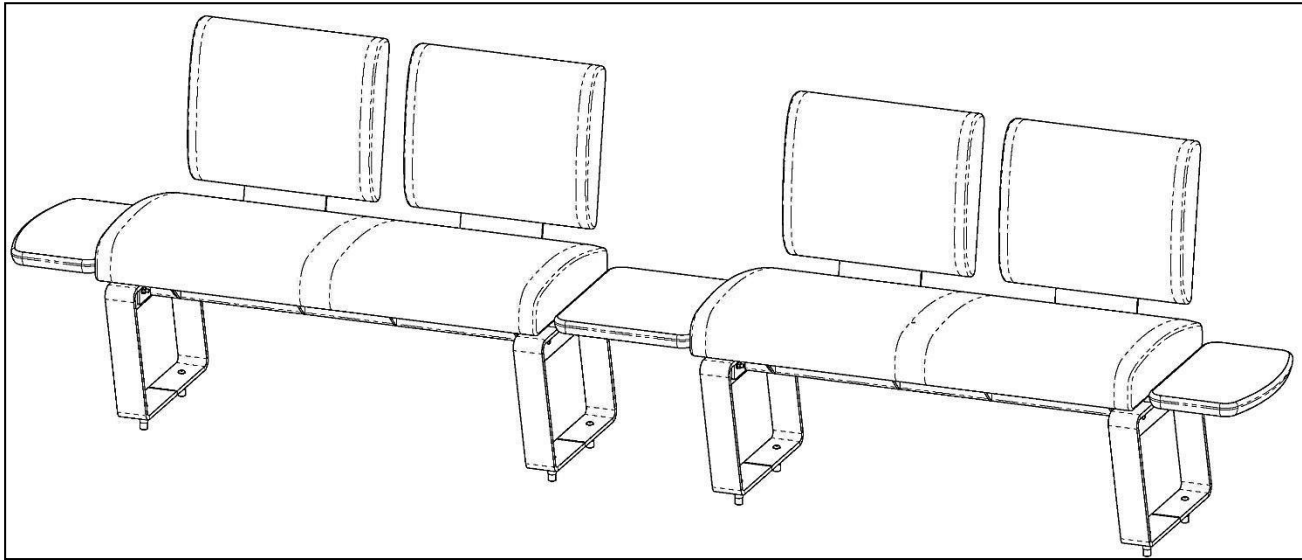
*The 2-Seat Bench (612-300-212) can be found on page 45.

Qty.	Part No.	Description
1	263-003-279	Union Bench Table Kit





 SYNERGY



SEAT CUSHIONS HIDDEN FOR CLARITY

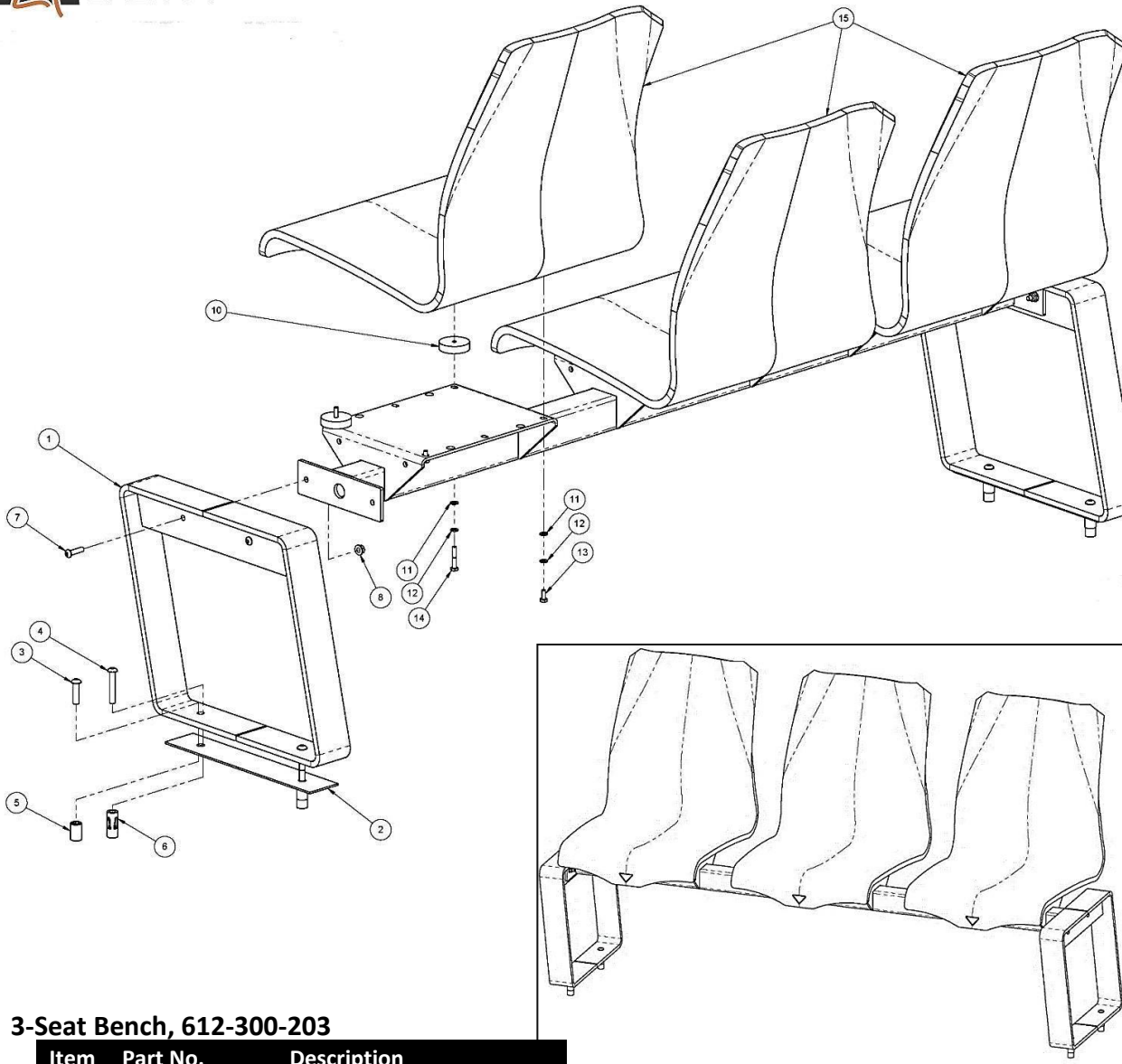
2+2 Bench with End Tables, 612-300-221

Item	Part No.	Description
1	263-003-030-XX	End Bench Table
2	263-003-032-XX	Union Bench Table
3	263-003-035	Union Bench Table Bracket
4	263-003-033	End Bench Table Bracket
5	808-557-167	BHSCS 5/16-18 X 1.00 ZN
6	856-157-007	HFLN 5/16-18 ZN STV
7	7024-711000-100	THPTS 10 X 1.00 ZN TYA

*The 2-Seat Bench (612-300-212) can be found on page 45.

Qty.	Part No.	Description
1	263-003-277	End Bench Tables Kit
1	263-003-279	Union Bench Table Kit





3-Seat Bench, 612-300-203

Item	Part No.	Description
1	263-003-020	Energy Leg Loop Assembly
2	263-003-141	Bench Foot Pad
#3	813-549-247	BHSCS 3/8-16 X 1.50 ZN
*4	813-549-367	BHSCS 3/8-16 X 2.25 ZN
#5	709-009-053	3/8-16 Hex Drive Wood Insert
*6	709-009-052	3/8-16 Forway Anchor
7	808-557-207	BHSCS 5/16-18 X 1.25 ZN
8	856-157-007	HFLN 5/16-18 ZN STV
9	263-003-040	3-Seat Bar Weldment
10	263-003-369	Harmony Seat Spacer
11	945-548-000	FW 1/4 TBN BO
12	951-148-008	SWM 1/4 ANSI BO
13	809-849-165	HHCS 1/4-20 X 1.00 GR8 BO
14	809-849-305	HHCS 1/4-20 X 1.88 GR8 BO
15	263-003-015-XX	Energy Seat

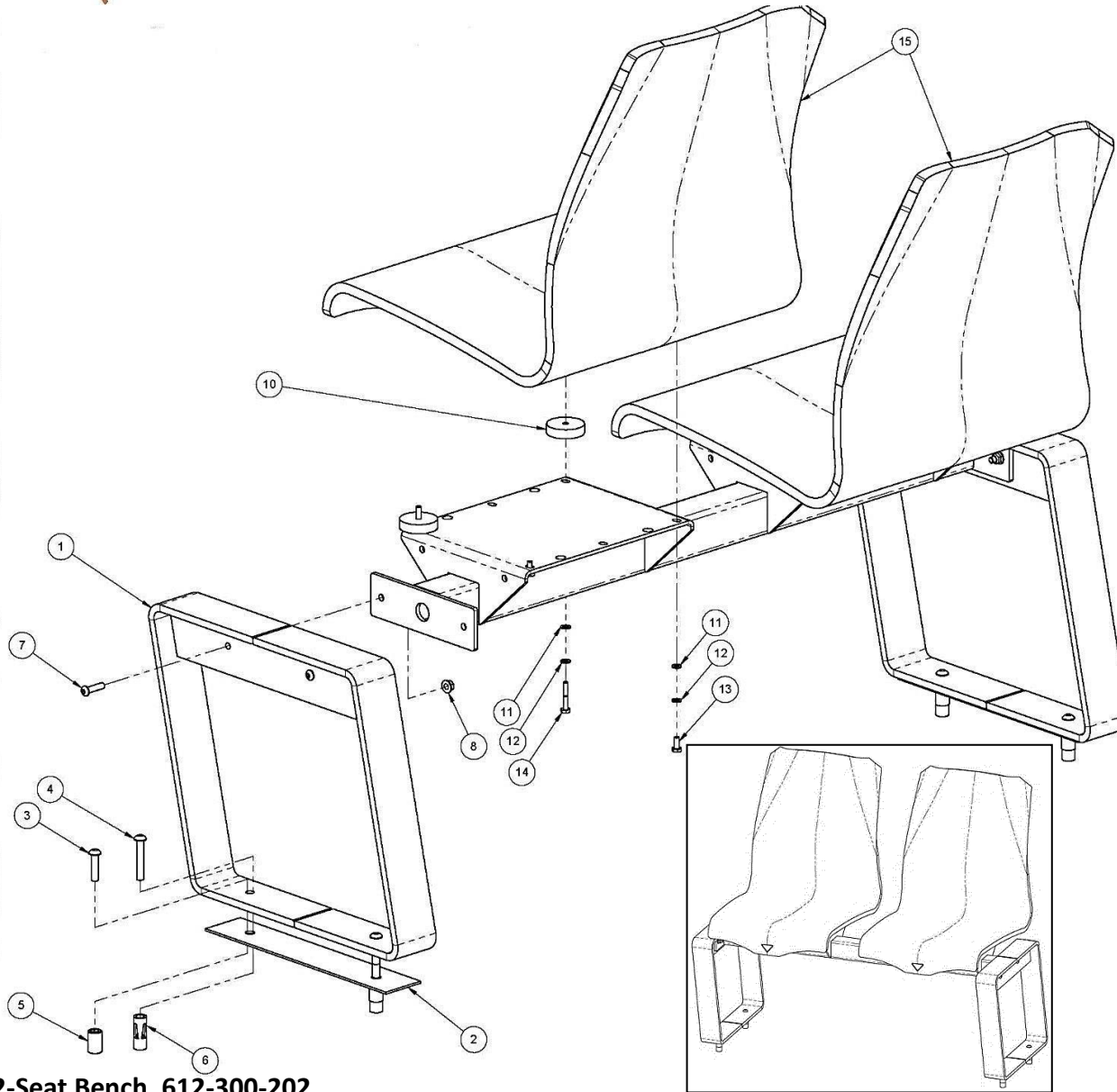
* - part of 263-003-271CT

or

- part of 263-003-271WD

Qty.	Part No.	Description
*1	263-003-271CT	Concrete Energy Bench Legs Kit
#1	263-003-271WD	Wood Energy Bench Legs Kit
1	263-003-308	3-Seat Energy Beam Kit
3	263-003-015-XX	Energy Seat





2-Seat Bench, 612-300-202

Item	Part No.	Description
1	263-003-020	Energy Leg Loop Assembly
2	263-003-141	Bench Foot Pad
#3	813-549-247	BHSCS 3/8-16 X 1.50 ZN
*4	813-549-367	BHSCS 3/8-16 X 2.25 ZN
#5	709-009-053	3/8-16 Hex Drive Wood Insert
*6	709-009-052	3/8-16 Forway Anchor
7	808-557-207	BHSCS 5/16-18 X 1.25 ZN
8	856-157-007	HFLN 5/16-18 ZN STV
9	263-003-041	2-Seat Bar Weldment
10	263-003-369	Harmony Seat Spacer
11	945-548-000	FW 1/4 TBN BO
12	951-148-008	SWM 1/4 ANSI BO
13	809-849-165	HHCS 1/4-20 X 1.00 GR8 BO

Item	Part No.	Description
14	809-849-305	HHCS 1/4-20 X 1.88 GR8 BO
15	263-003-015-XX	Energy Seat

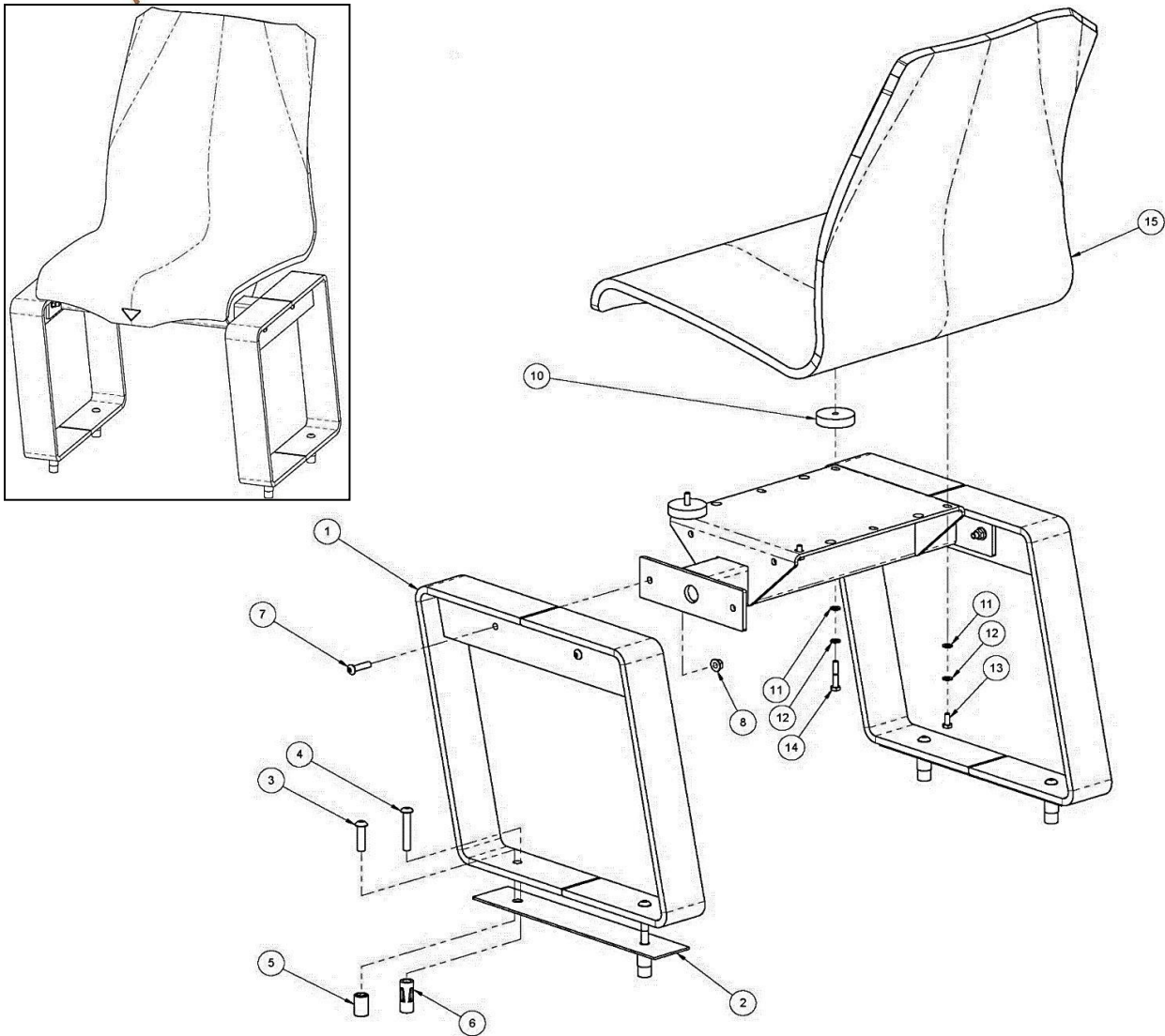
* - part of 263-003-271CT
 or
 # - part of 263-003-271WD

Qty.	Part No.	Description
*1	263-003-271CT	Concrete Energy Bench Legs Kit
#1	263-003-271WD	Wood Energy Bench Legs Kit
1	263-003-307	2-Seat Energy Beam Kit
2	263-003-015-XX	Energy Seat





ENERGY



1-Seat Bench, 612-300-201

Item	Part No.	Description
1	263-003-020	Energy Leg Loop Assembly
2	263-003-141	Bench Foot Pad
#3	813-549-247	BHSCS 3/8-16 X 1.50 ZN
*4	813-549-367	BHSCS 3/8-16 X 2.25 ZN
#5	709-009-053	3/8-16 Hex Drive Wood Insert
*6	709-009-052	3/8-16 Forway Anchor
7	808-557-207	BHSCS 5/16-18 X 1.25 ZN
8	856-157-007	HFLN 5/16-18 ZN STV
9	263-003-042	1-Seat Bar Weldment
10	263-003-369	Harmony Seat Spacer
11	945-548-000	FW 1/4 TBN BO
12	951-148-008	SWM 1/4 ANSI BO

Item	Part No.	Description
13	809-849-165	HHCS 1/4-20 X 1.00 GR8 BO
14	809-849-305	HHCS 1/4-20 X 1.88 GR8 BO
15	263-003-015-XX	Energy Seat

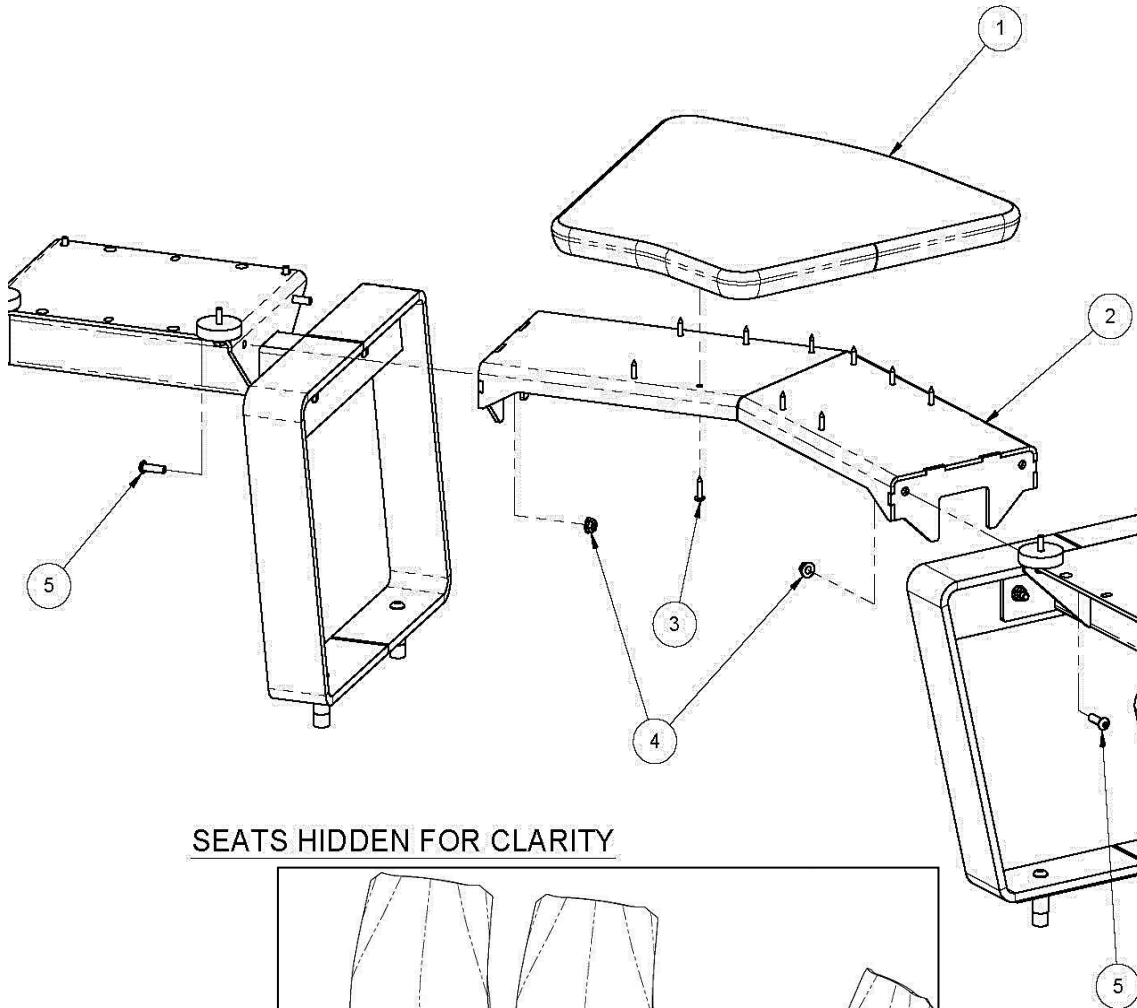
* - part of 263-003-271CT

or

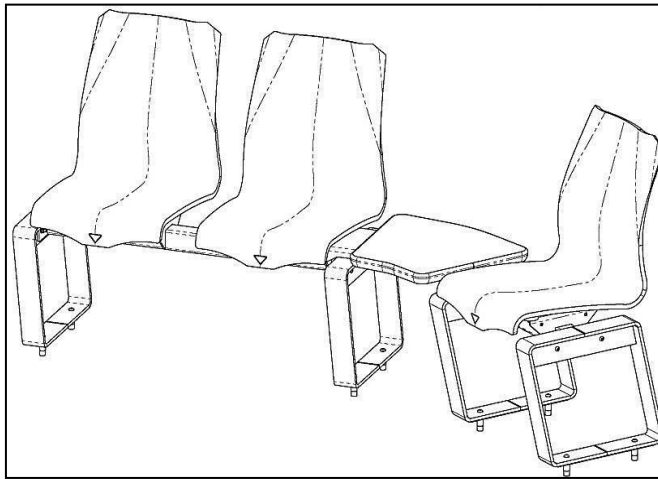
- part of 263-003-271WD

Qty.	Part No.	Description
*1	263-003-271CT	Concrete Energy Bench Legs Kit
#1	263-003-271WD	Wood Energy Bench Legs Kit
1	263-003-306	1-Seat Energy Beam Kit
1	263-003-015-XX	Energy Seat





SEATS HIDDEN FOR CLARITY



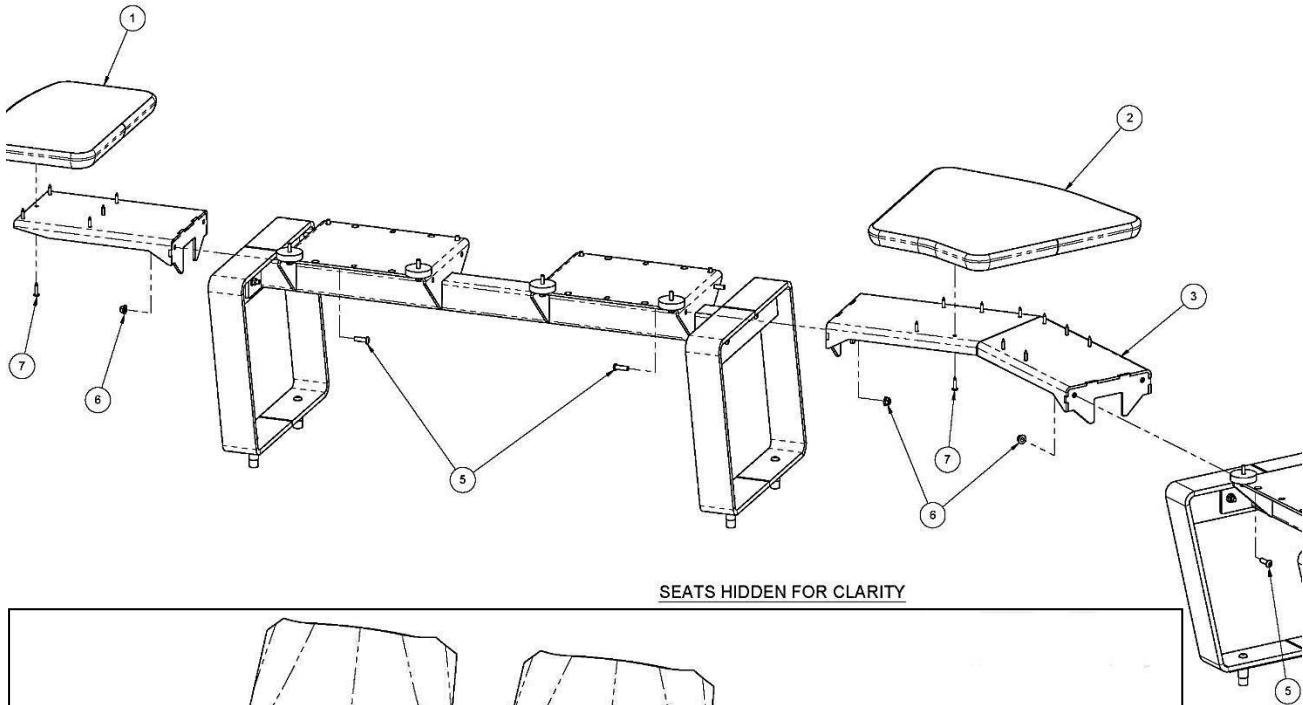
2+1 Angle Bench, 612-300-204

Item	Part No.	Description
1	263-003-031-XX	Angle Bench Table
2	263-003-034	Angle Bench Table Bracket
3	7024-711000-100	THPTS 10 X 1.00 ZN TYA
4	856-157-007	HFLN 5/16-18 ZN STV
5	808-557-167	BHSCS 5/16-18 X 1.00 ZN

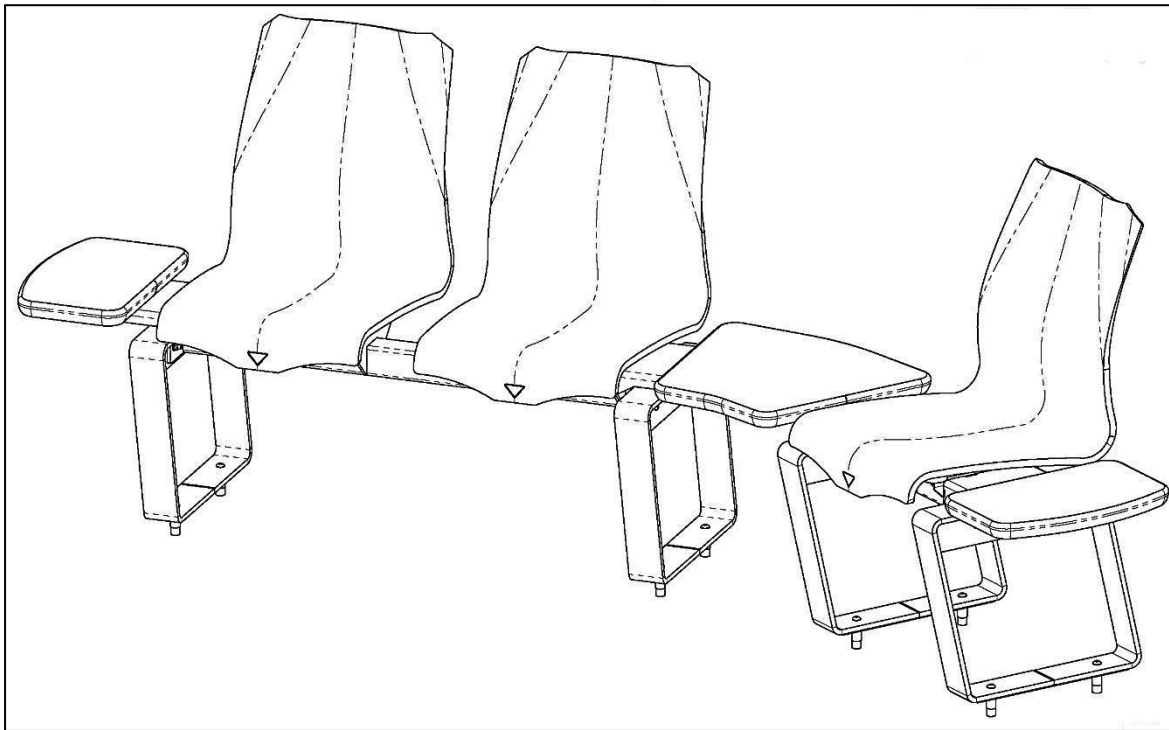
*The 2-Seat Bench (612-300-202) and 1-Seat Bench (612-300-201) can be found on pages 56 and 57, respectively.

Qty.	Part No.	Description
1	263-003-278	Angle Bench Table Kit





SEATS HIDDEN FOR CLARITY



2+1 Angle Ends Bench, 612-300-205

Item	Part No.	Description
1	263-003-030-XX	End Bench Table
2	263-003-031-XX	Angle Bench Table
3	263-003-034	Angle Bench Table Bracket
4	263-003-033	End Bench Table Bracket
5	808-557-167	BHSCS 5/16-18 X 1.00 ZN
6	856-157-007	HFLN 5/16-18 ZN STV
7	7024-711000-100	THPTS 10 X 1.00 ZN TYA

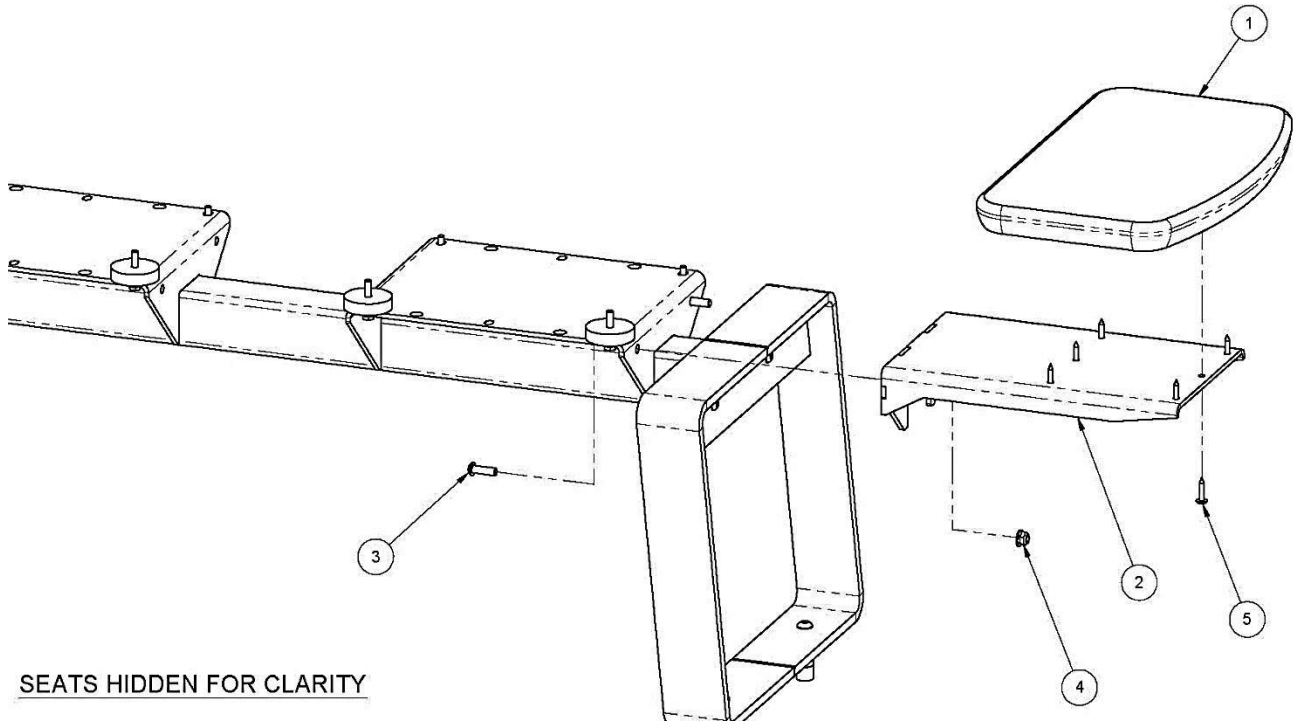
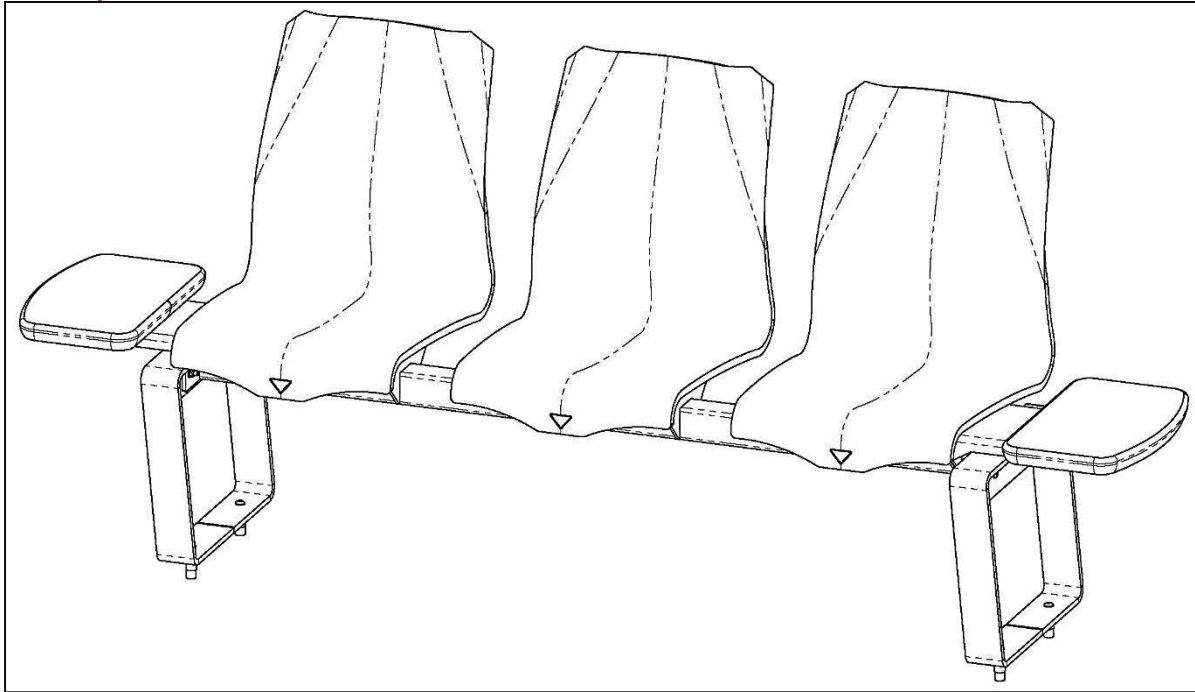
*The 2-Seat Bench (612-300-202) and 1-Seat Bench (612-300-201) can be found on pages 56 and 57, respectively.

Qty.	Part No.	Description
1	263-003-278	Angle Bench Table Kit
1	263-003-277	End Bench Tables Kit





ENERGY



SEATS HIDDEN FOR CLARITY

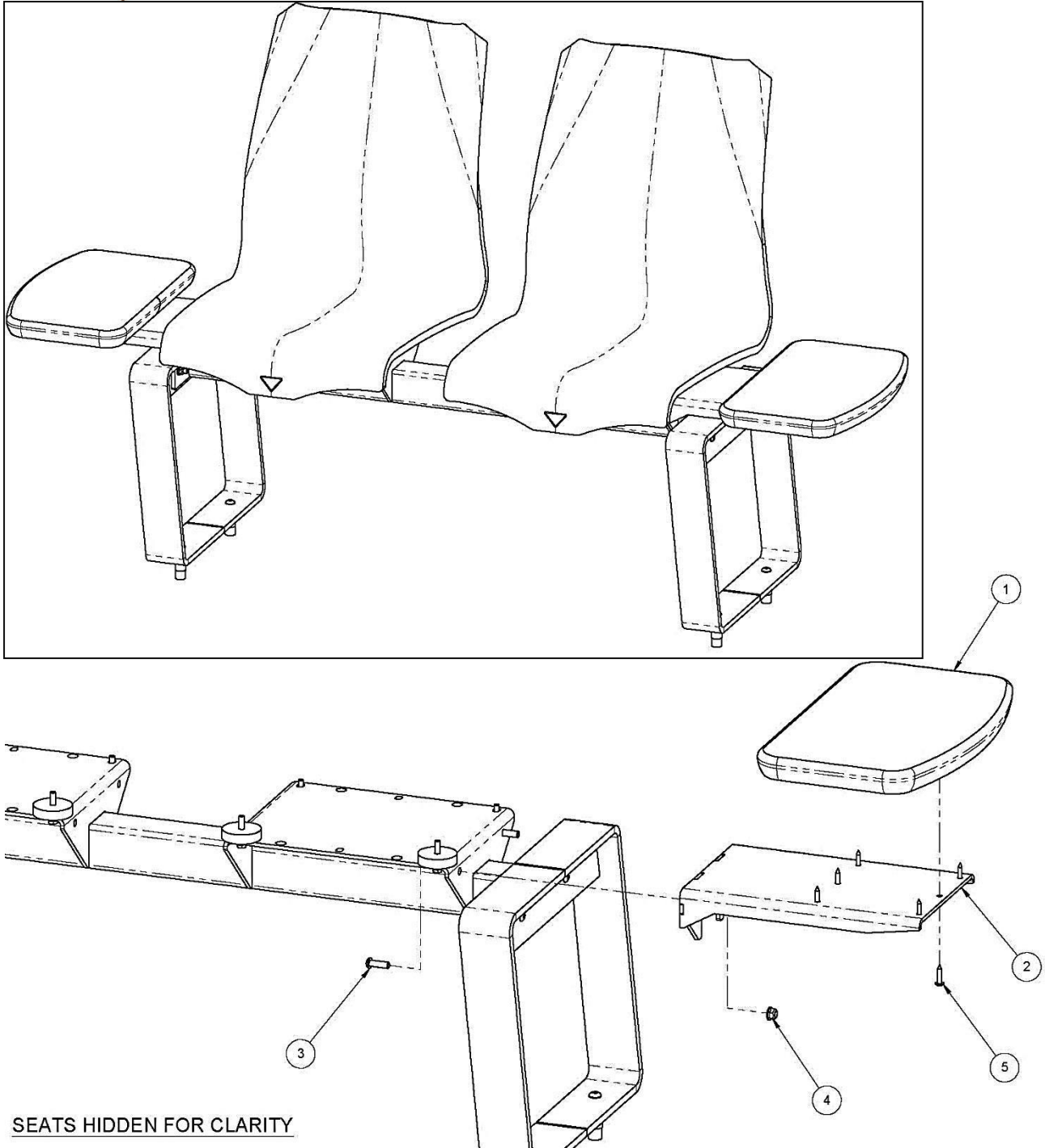
3-Seat Ends Bench, 612-300-206

Item	Part No.	Description
1	263-003-030-XX	End Bench Table
2	263-003-033	End Bench Table Bracket
3	808-557-167	BHSCS 5/16-18 X 1.00 ZN
4	856-157-007	HFLN 5/16-18 ZN STV
5	7024-711000-100	THPTS 10 X 1.00 ZN TYA

*The 3-Seat Bench (612-300-203) can be found on page 55.

Qty.	Part No.	Description
1	263-003-277	End Bench Tables Kit





SEATS HIDDEN FOR CLARITY

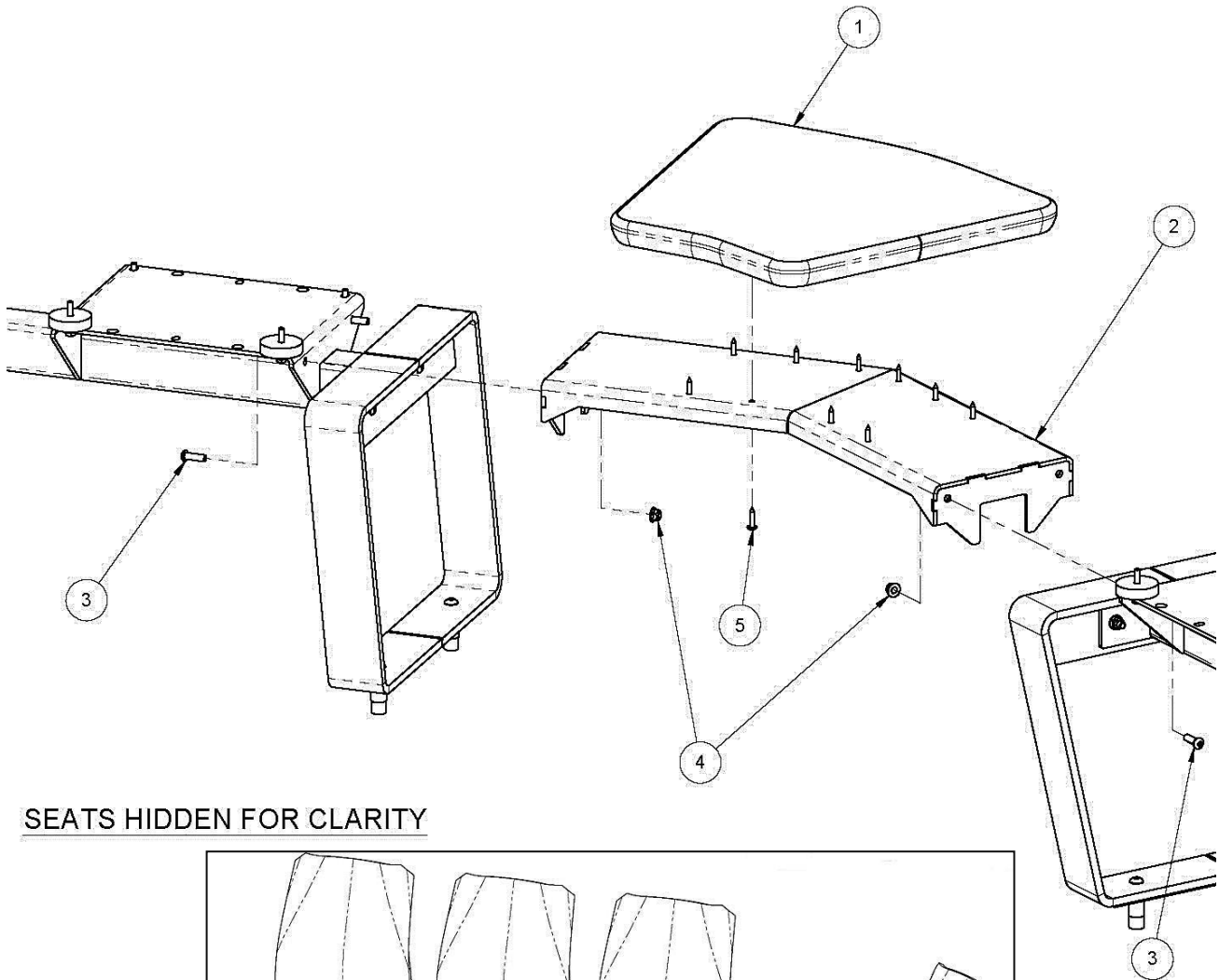
2-Seat Ends Bench, 612-300-207

Item	Part No.	Description
1	263-003-030-XX	End Bench Table
2	263-003-033	End Bench Table Bracket
3	808-557-167	BHSCS 5/16-18 X 1.00 ZN
4	856-157-007	HFLN 5/16-18 ZN STV
5	7024-711000-100	THPTS 10 X 1.00 ZN TYA

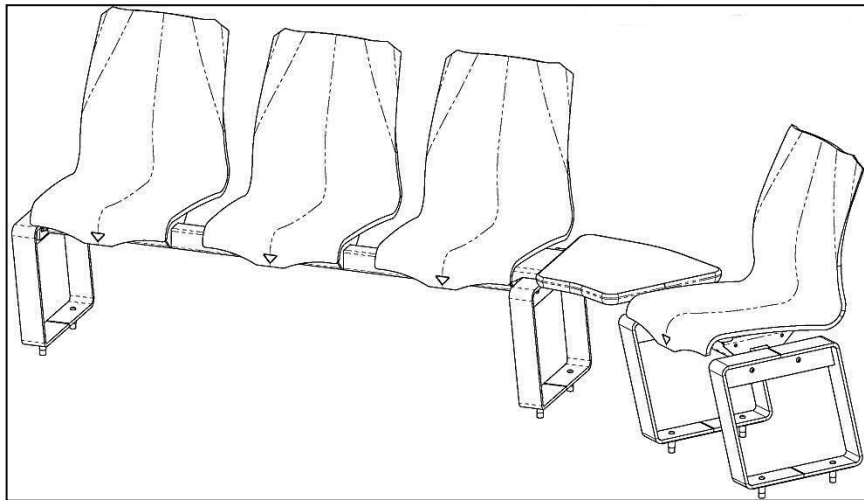
*The 2-Seat Bench (612-300-202) can be found on page 56.

Qty.	Part No.	Description
1	263-003-277	End Bench Tables Kit





SEATS HIDDEN FOR CLARITY



3+1 Angle Bench, 612-300-208

Item	Part No.	Description
1	263-003-031-XX	Angle Bench Table
2	263-003-034	Angle Bench Table Bracket
3	808-557-167	BHSCS 5/16-18 X 1.00 ZN
4	856-157-007	HFLN 5/16-18 ZN STV
5	7024-711000-100	THPTS 10 X 1.00 ZN TYA

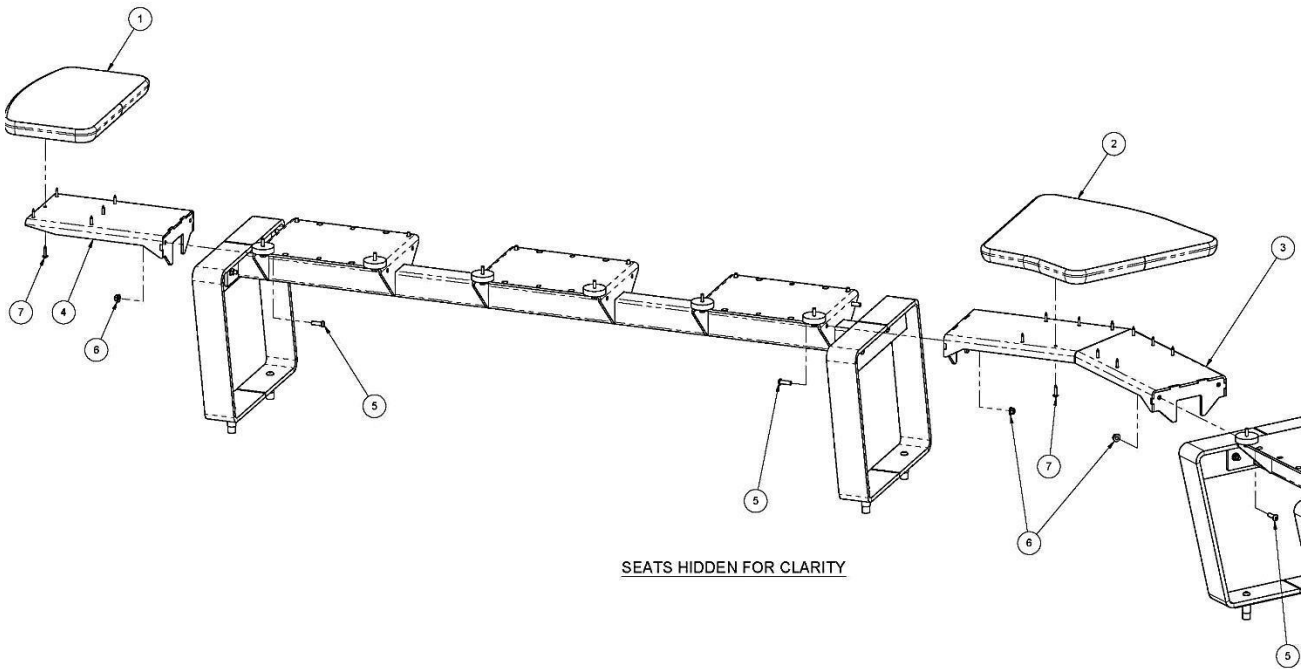
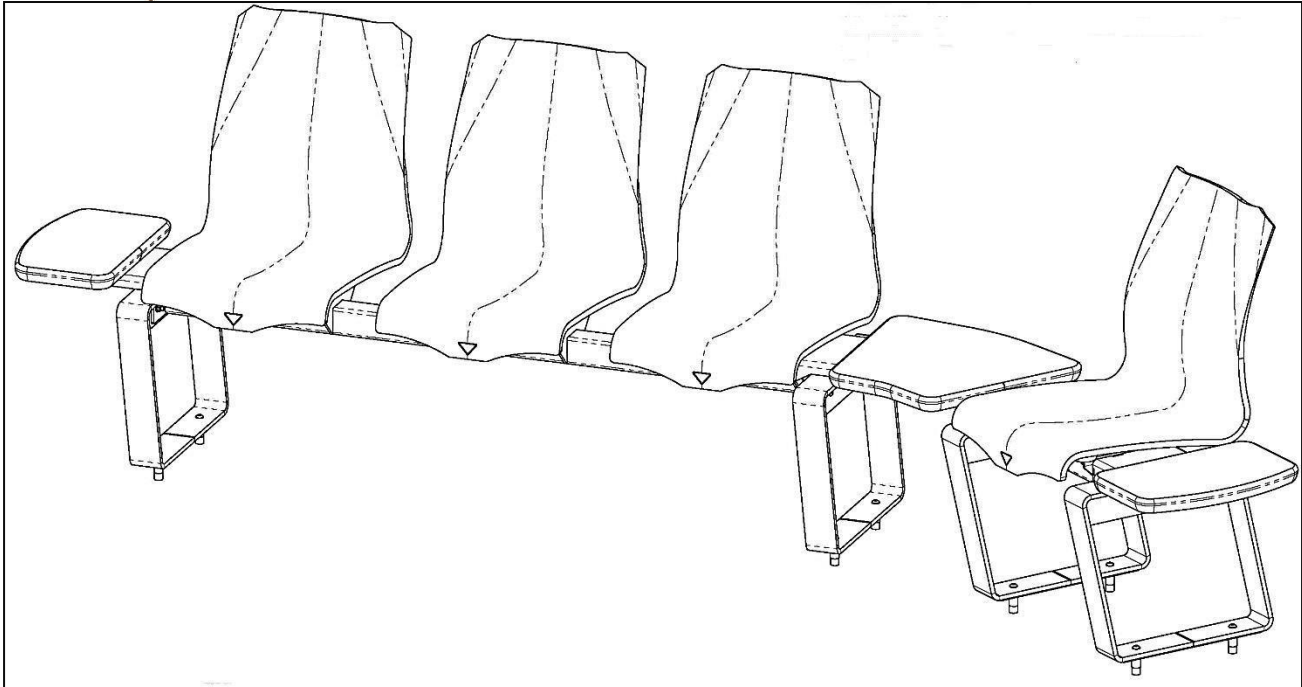
* The 3-Seat Bench (612-300-203) and 1-Seat Bench (612-300-201) can be found on pages 55 and 57, respectively.

Qty.	Part No.	Description
1	263-003-278	Angle Bench Table Kit





ENERGY



SEATS HIDDEN FOR CLARITY

3+1 Angle Ends Bench, 612-300-209

Item	Part No.	Description
1	263-003-030-XX	End Bench Table
2	263-003-031-XX	Angle Bench Table
3	263-003-034	Angle Bench Table Bracket
4	263-003-033	End Bench Table Bracket
5	808-557-167	BHSCS 5/16-18 X 1.00 ZN
6	856-157-007	HFLN 5/16-18 ZN STV
7	7024-711000-100	THPTS 10 X 1.00 ZN TYA

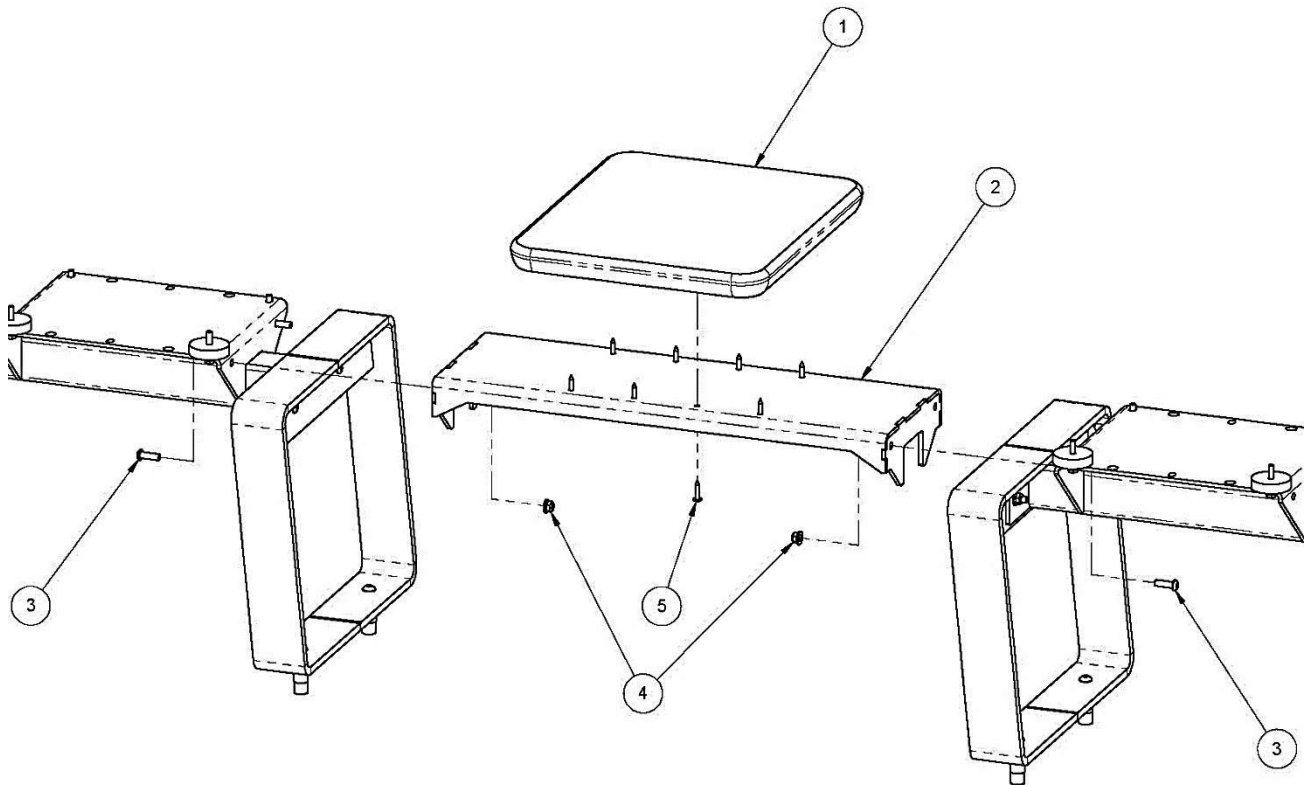
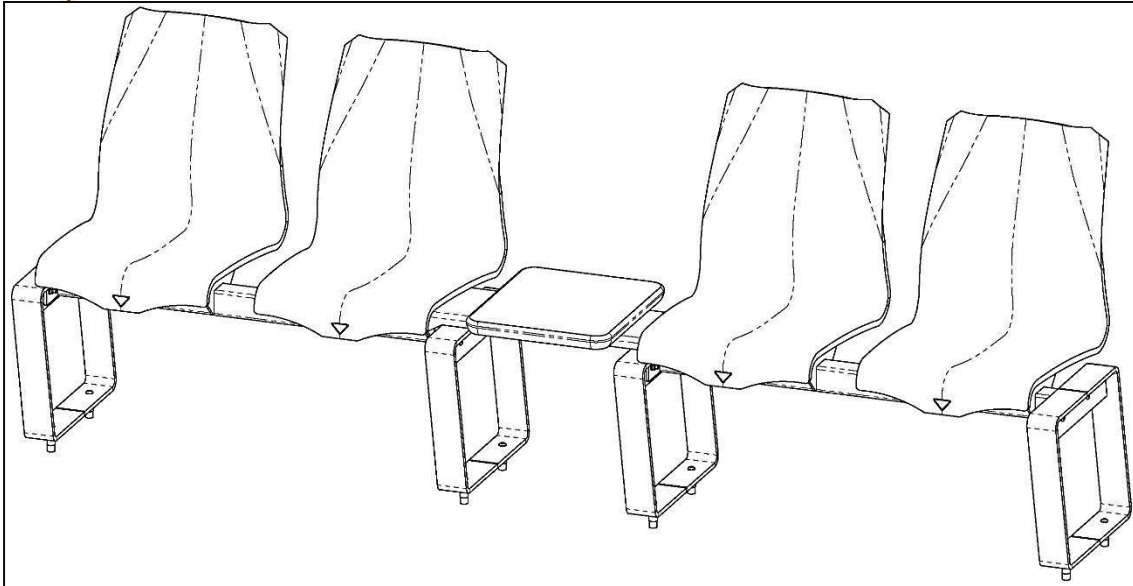
* The 3-Seat Bench (612-300-203) and 1-Seat Bench (612-300-201) can be found on pages 55 and 57, respectively.

Qty.	Part No.	Description
1	263-003-278	Angle Bench Table Kit
1	263-003-277	End Bench Tables Kit





ENERGY



SEATS HIDDEN FOR CLARITY

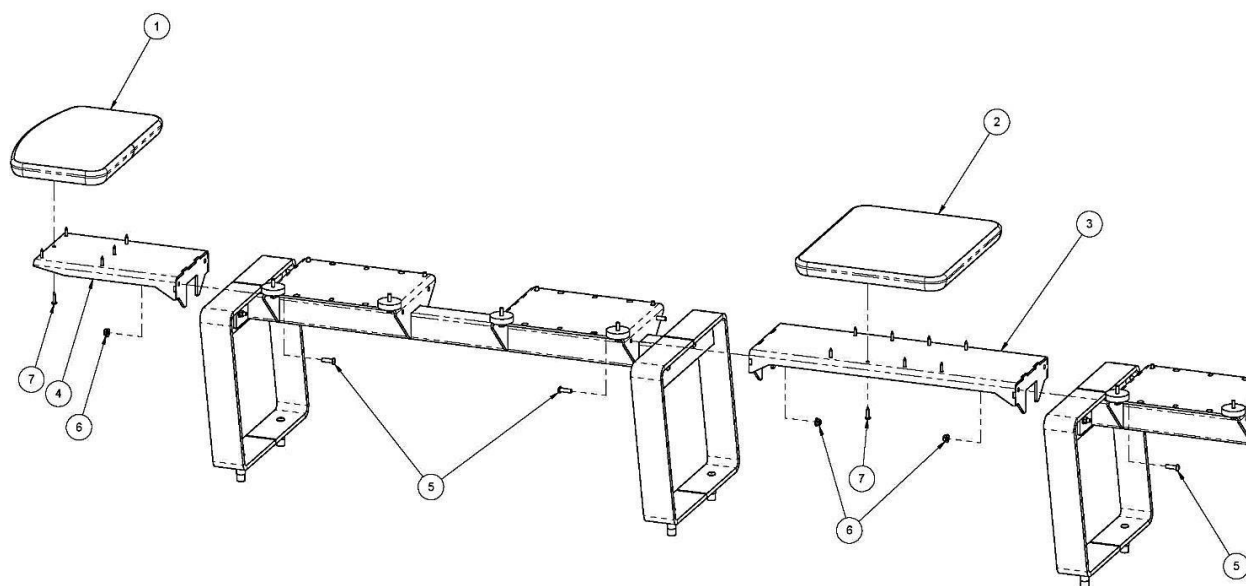
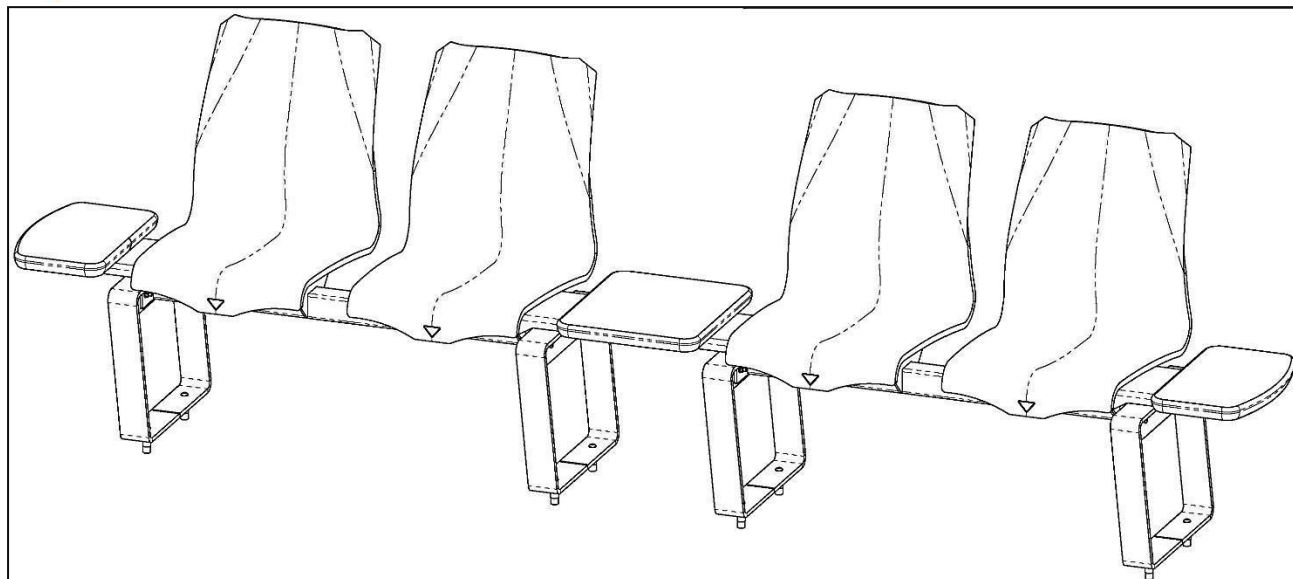
2+2 Bench, 612-300-210

Item	Part No.	Description
1	263-003-032-XX	Union Bench Table
2	263-003-035	Union Bench Table Bracket
3	808-557-167	BHSCS 5/16-18 X 1.00 ZN
4	856-157-007	HFLN 5/16-18 ZN STV
5	7024-711000-100	THPTS 10 X 1.00 ZN TYA

* The 2-Seat Bench (612-300-202) can be found on page 56.

Qty.	Part No.	Description
1	263-003-279	Union Bench Table Kit





SEATS HIDDEN FOR CLARITY

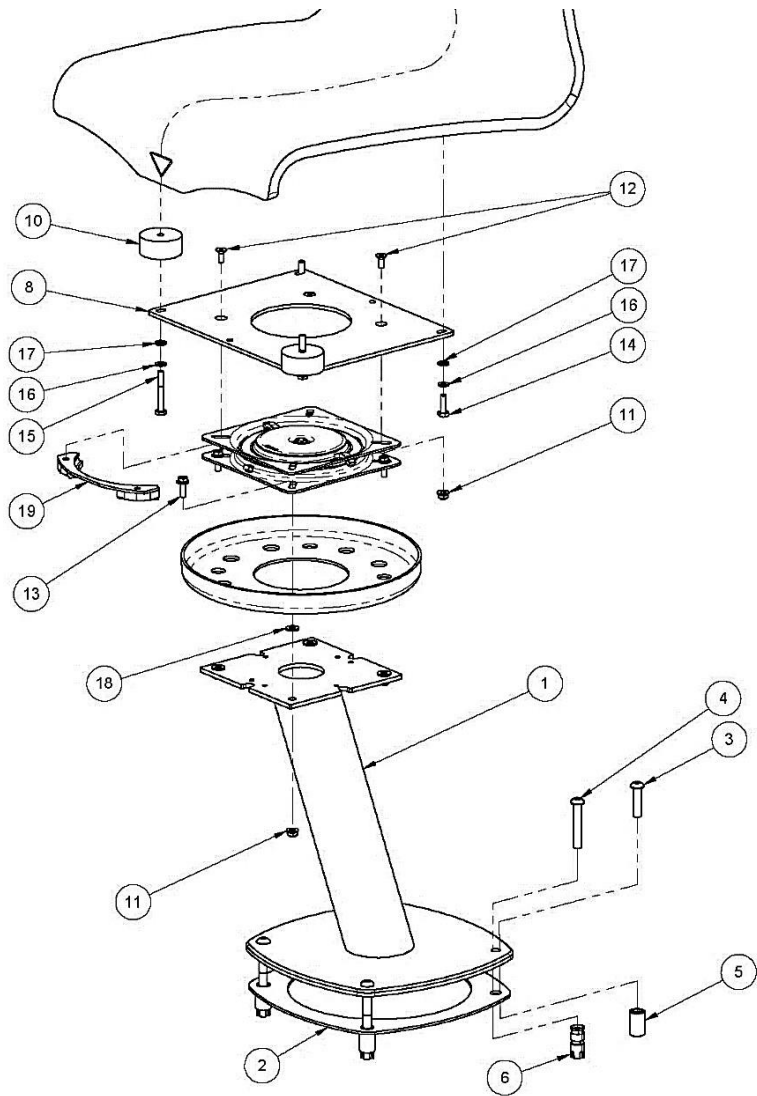
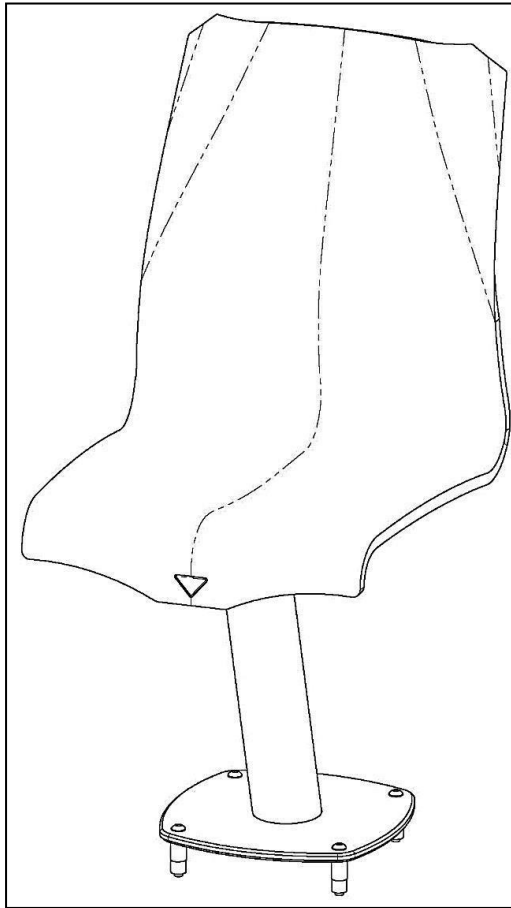
2+2 Ends Bench, 612-300-200

Item	Part No.	Description
1	263-003-030-XX	End Bench Table
2	263-003-032-XX	Union Bench Table
3	263-003-035	Union Bench Table Bracket
4	263-003-033	End Bench Table Bracket
5	808-557-167	BHSCS 5/16-18 X 1.00 ZN
6	856-157-007	HFLN 5/16-18 ZN STV
7	7024-711000-100	THPTS 10 X 1.00 ZN TYA

* The 2-Seat Bench (612-300-202) can be found on page 56.

Qty.	Part No.	Description
1	263-003-277	Union Bench Table Kit
1	263-003-279	End Bench Tables Kit





Bolt-Down Swivel Table Chair, 612-300-225

Item	Part No.	Description
1	263-003-111	BD TH-S Chair Pedestal
2	263-003-142	BD Round Foot Pad
#3	813-549-247	BHSCS 3/8-16 X 1.50 ZN
*4	813-549-367	BHSCS 3/8-16 X 2.25 ZN
#5	709-009-053	3/8-16 Hex Drive Wood Insert
*6	709-009-052	3/8-16 Forway Anchor
7	263-003-152	Dual Flange Flat Swivel
8	263-003-196	Energy Seat Adapter
9	263-003-197	Harmony Swivel Cover
10	263-003-369	Harmony Seat Spacer
11	856-149-001	HFLN 1/4-20 BO STV
12	808-849-100	FHSCS 1/4-20 X 0.63 BO
13	801-749-121	FBCS 1/4-20 X 0.75 GR8 BO
14	809-849-165	HHCS 1/4-20 X 1.00 GR8 BO

Item	Part No.	Description
15	809-849-305	HHCS 1/4-20 X 1.88 GR8 BO
16	951-148-008	SWM 1/4 ANSI BO
17	945-548-000	FW 1/4 TBN BO
18	7050-028062-006	FW 1/4 SAE ZN
19	263-003-226	Stop Weldment
20	263-003-015-XX	Energy Seat

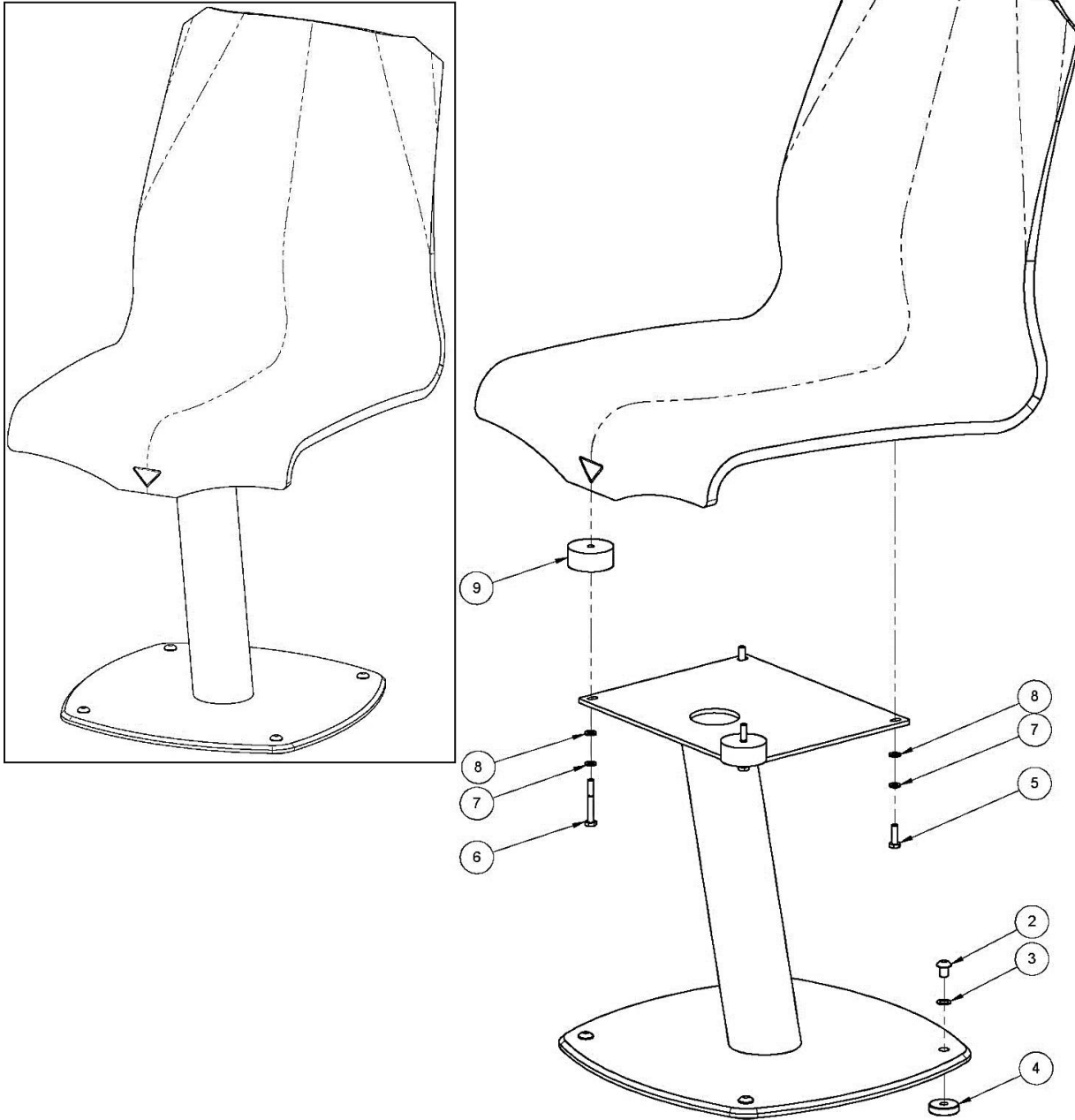
* - part of 263-003-280CT

or

- part of 263-003-280WD

Qty.	Part No.	Description
*1	263-003-280CT	Concrete Chair Pedestal Kit
#1	263-003-280WD	Wood Chair Pedestal Kit
1	263-003-015-XX	Energy Seat





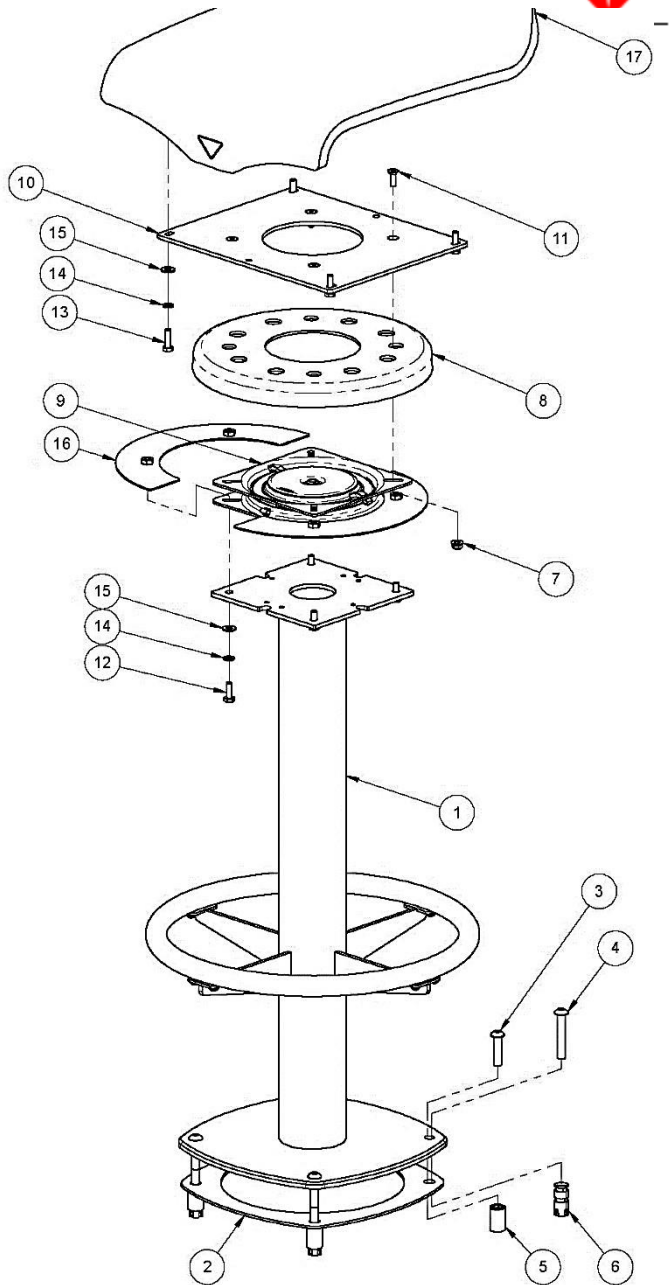
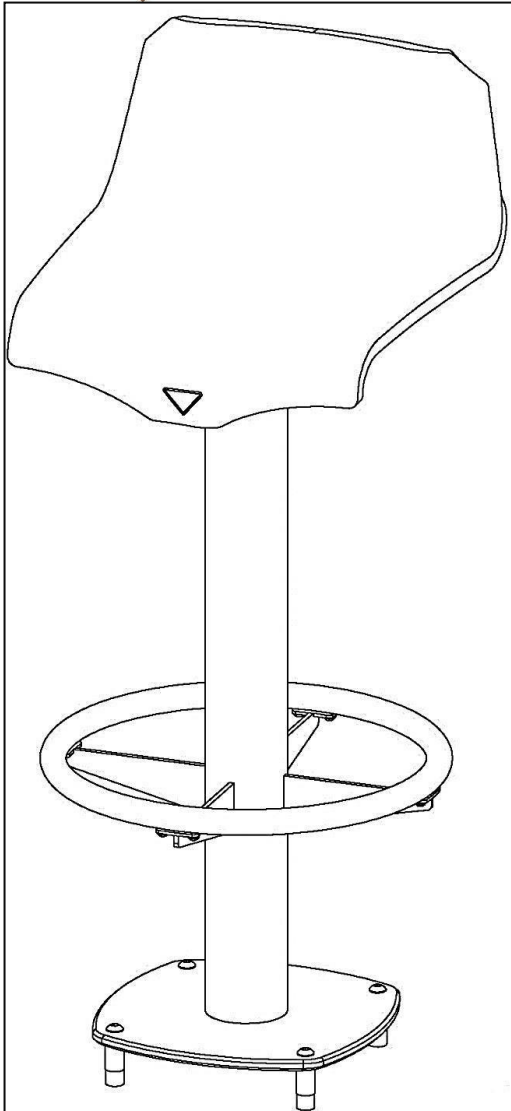
Free-Standing Table Chair, 612-300-227

Item	Part No.	Description
1	263-003-357	80° FS TH-S Chair Pedestal Wdmt.
2	808-566-087	BHSCS 3/8-24 X 0.50 ZN
3	7052-039062-003	FW 0.39 X 0.63 X 0.03 ZN
4	263-003-269	Harmony Foot Glide
5	809-849-165	HHCS 1/4-20 X 1.00 GR8 PB
6	809-849-305	HHCS 1/4-20 X 1.88 GR8 BO
7	951-148-008	SWM 1/4 ANSI BO

Item	Part No.	Description
8	945-548-000	FW 1/4 TBN BO
9	263-003-369	Harmony Seat Spacer
10	263-003-015-XX	Energy Seat

Qty.	Part No.	Description
1	263-003-281	Free Standing Chair Pedestal Kit
1	263-003-015-XX	Energy Seat





Bolt-Down Swivel Bar Stool, 612-300-228

Item	Part No.	Description
1	263-003-129	BD BH-S Pedestal Assembly
2	263-003-142	BD Round Foot Pad
#3	813-549-247	BHSCS 3/8-16 X 1.50 ZN
*4	813-549-367	BHSCS 3/8-16 X 2.25 ZN
#5	709-009-053	3/8-16 Hex Drive Wood Insert
*6	709-009-052	3/8-16 Forway Anchor
7	856-149-001	HFLN 1/4-20 BO STV
8	263-003-197	Harmony Swivel Cover
9	263-003-152	Dual Flange Flat Swivel
10	263-003-196	Energy Seat Adapter
11	808-849-120	FHSCS 1/4-20 X 0.75 BO
12	809-849-125	HHCS 1/4-20 X 0.75 GR8 BO
13	809-849-165	HHCS 1/4-20 X 1.00 GR8 PB

Item	Part No.	Description
14	951-148-008	SWM 1/4 ANSI BO
15	948-753-101	FW 1/4 SAE BO
16	263-003-394	Harmony Swivel Guard
17	263-003-016-XX	Bar Stool Seat

* - part of 263-003-282CT

or

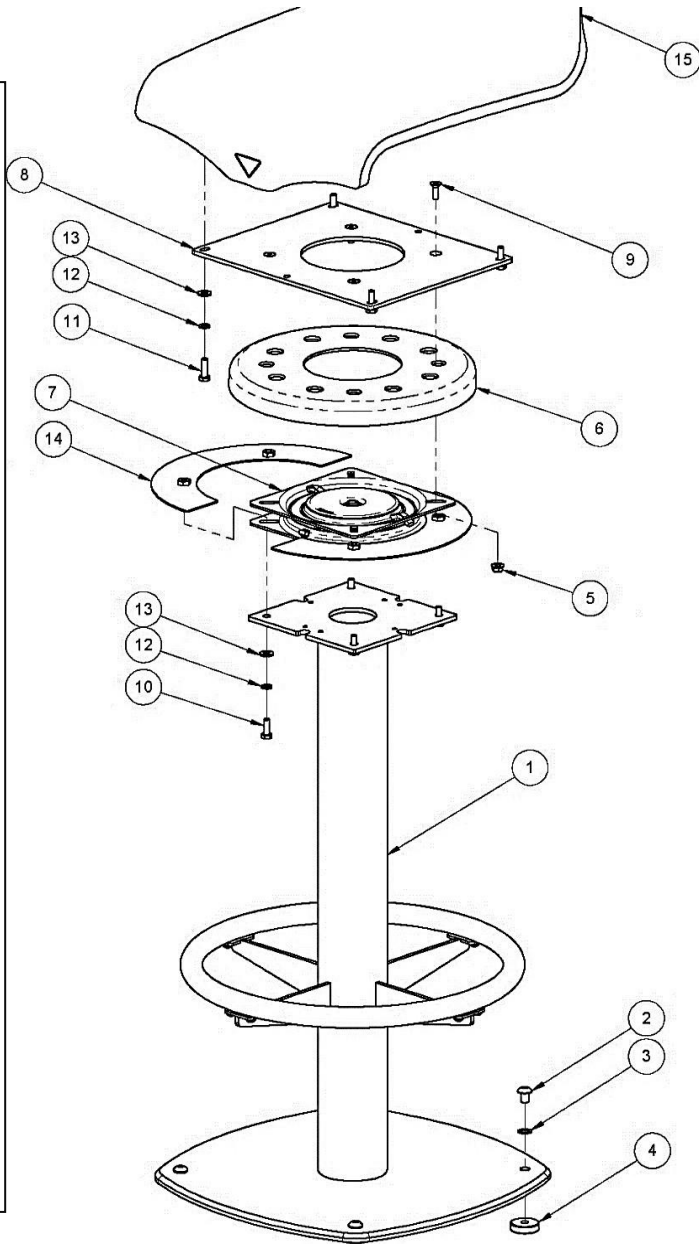
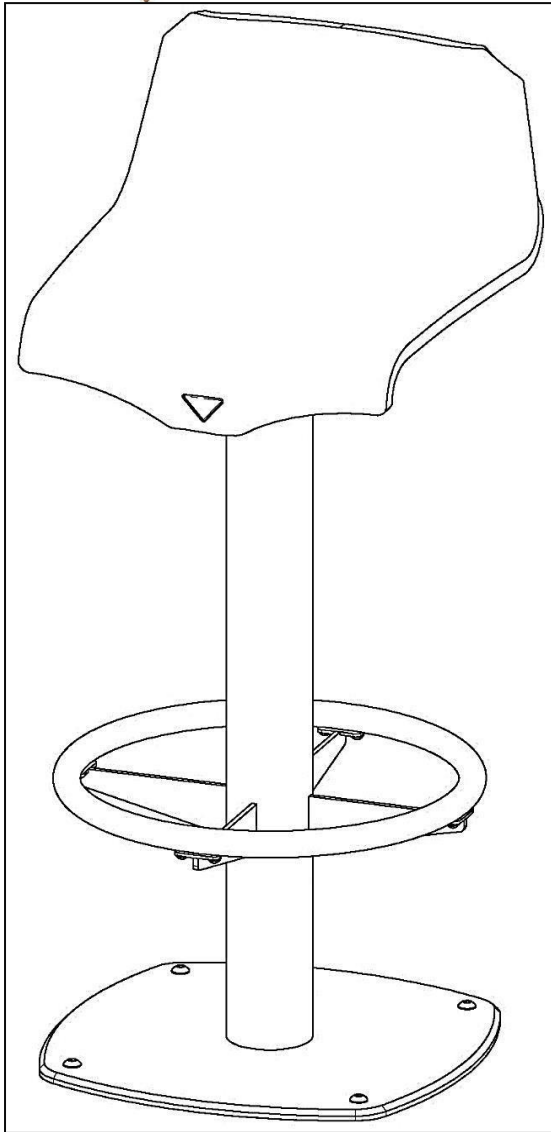
- part of 263-003-282WD

Qty.	Part No.	Description
*1	263-003-282CT	Concrete Stool Pedestal Kit
#1	263-003-282WD	Wood Stool Pedestal Kit
1	263-003-016-XX	Bar Stool Seat





ENERGY



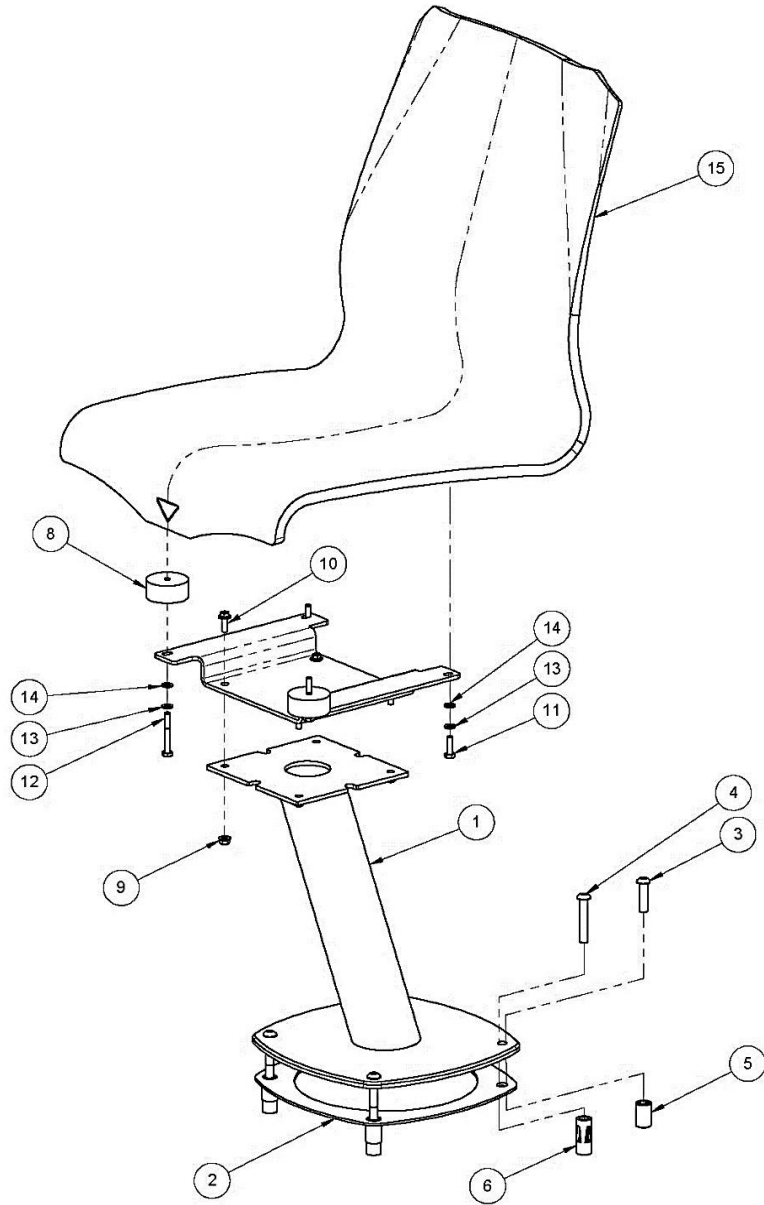
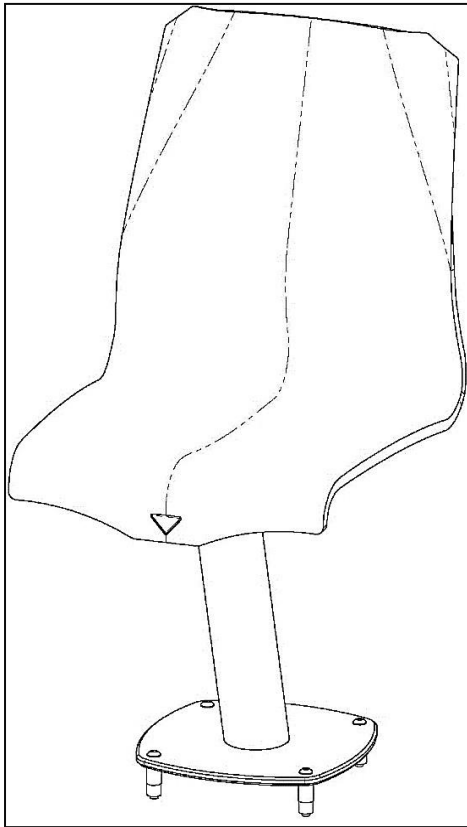
Free-Standing Swivel Bar Stool, 612-300-229

Item	Part No.	Description
1	263-003-130	FS BH-S Pedestal Assembly
2	808-566-087	BHSCS 3/8-24 X 0.50 ZN
3	7052-039062-003	FW 0.39 X 0.63 X 0.03 ZN
4	263-003-269	Harmony Foot Glide
5	856-149-001	HFLN 1/4-20 BO STV
6	263-003-197	Harmony Swivel Cover
7	63-003-152	Dual Flange Flat Swivel
8	263-003-196	Energy Seat Adapter
9	808-849-120	FHSCS 1/4-20 X 0.75 BO
10	809-849-125	HHCS 1/4-20 X 0.75 GR8 BO
11	809-849-165	HHCS 1/4-20 X 1.00 GR8 PB

Item	Part No.	Description
12	951-148-008	SWM 1/4 ANSI BO
13	948-753-101	FW 1/4 SAE BO
14	263-003-394	Harmony Swivel Guard
15	263-003-016-XX	Bar Stool Seat

Qty.	Part No.	Description
1	263-003-283	Free-Standing Stool Pedestal Kit
1	263-003-016-XX	Bar Stool Seat





Bolt Down Table Chair, 612-300-283

Item	Part No.	Description
1	263-003-111	BD TH-S Chair Pedestal Weldment
2	263-003-142	Bolt Down Round Foot Pad
#3	813-549-247	BHSCS 3/8-16 X 1.50 ZN
*4	813-549-367	BHSCS 3/8-16 X 2.25 ZN
#5	709-009-053	3/8-16 Hex Drive Wood Insert
*6	709-009-052	3/8-16 Forway Anchor
7	263-003-229	Stationary Chair Bracket
8	263-003-369	Harmony Seat Spacer
9	856-149-001	HFLN 1/4-20 BO STV
10	801-749-121	FBSC 1/4-20 X 0.75 GR8 BO
11	809-849-165	HHCS 1/4-20 X 1.00 GR8 PB
12	809-849-305	HHCS 1/4-20 X 1.88 GR8 BO

Item	Part No.	Description
13	951-148-008	SWM 1/4 ANSI BO
14	945-548-000	FW 1/4 TBN BO
15	263-003-015-XX	Energy Seat

* - part of 263-003-350CT

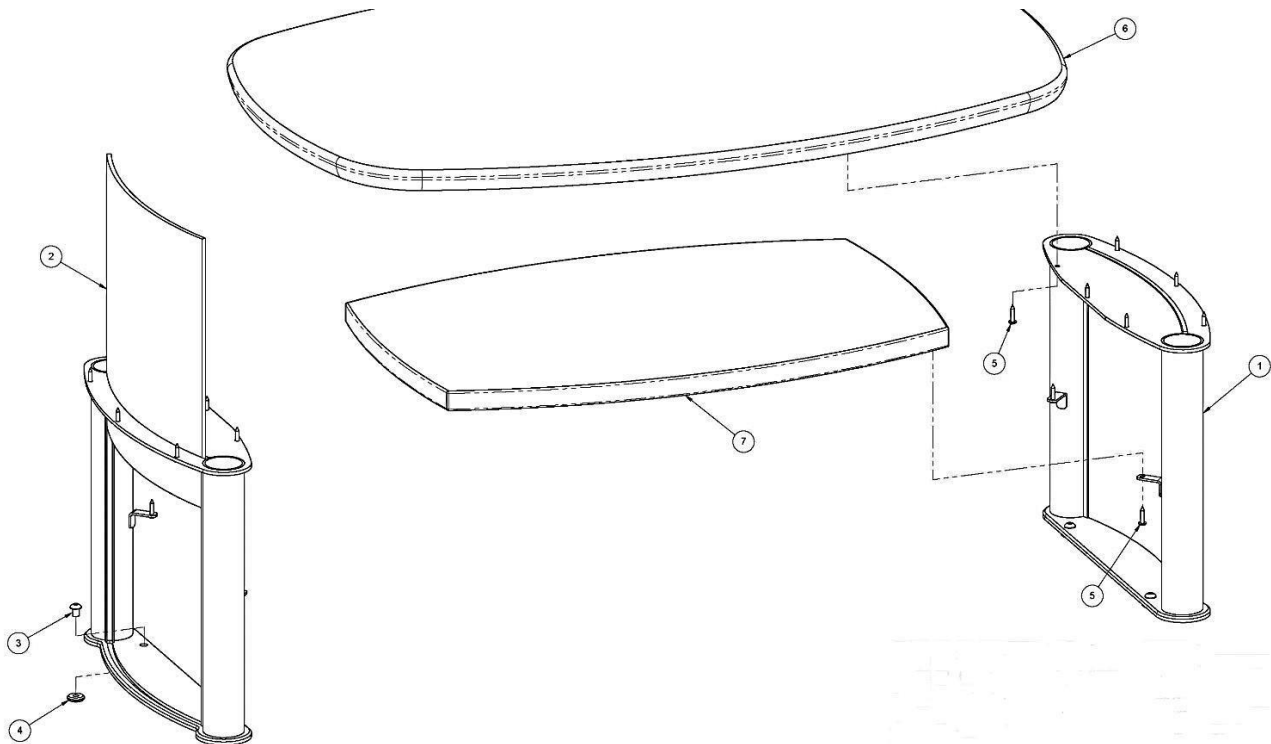
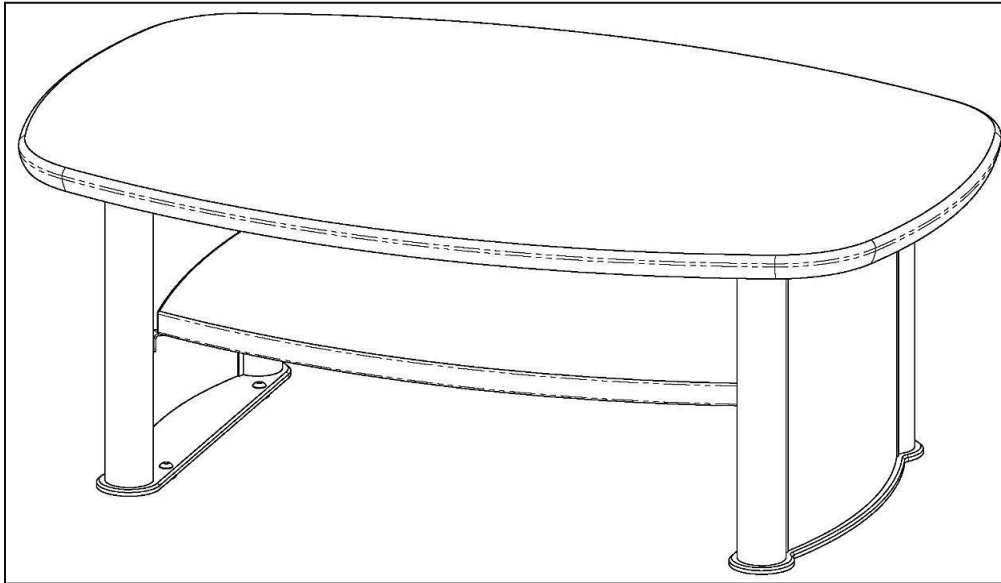
or

- part of 263-003-350WD

Qty.	Part No.	Description
*1	263-003-350CT	Concrete NS Chair Pedestal Kit
#1	263-003-350WD	Wood NS Chair Pedestal Kit
1	263-003-015-XX	Energy Seat



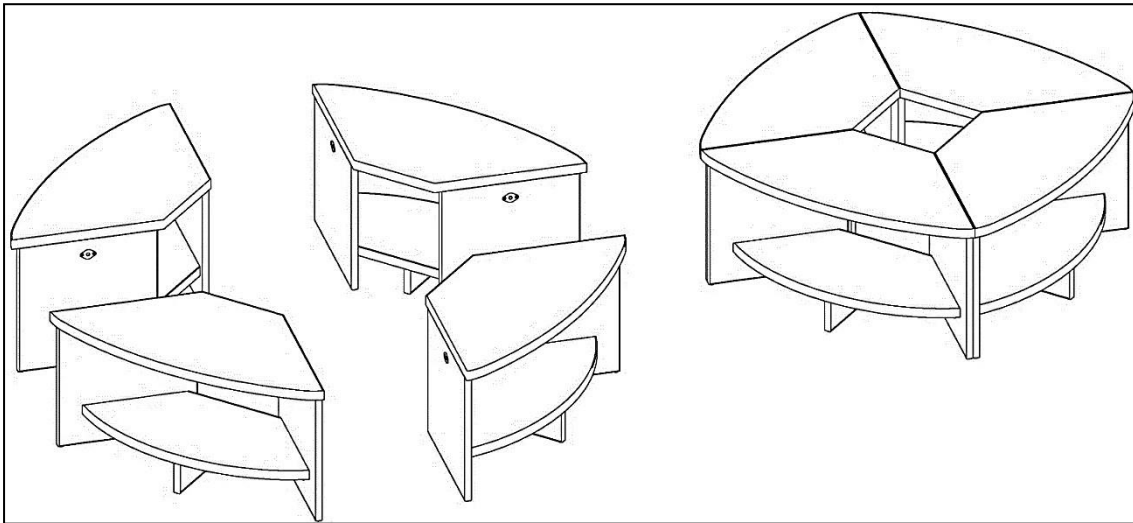
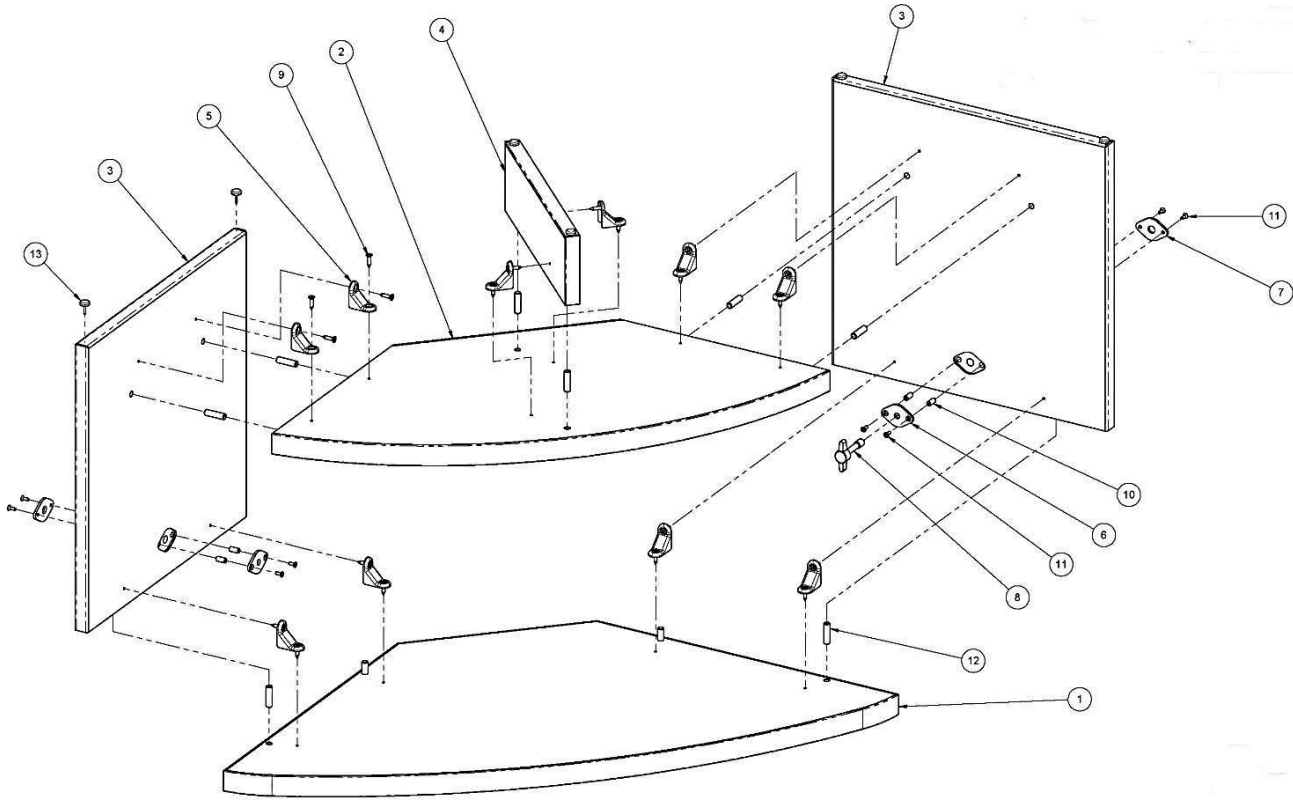
Tables



Coffee Table, 612-300-232

Item	Part No.	Description
1	263-003-063	Low Wide Curved Leg Weldment
2	263-003-139-XX	Curved Coffee Table Panel
3	808-566-087	BHSCS 3/8-24 X 0.50 ZN
4	263-003-146	FS Curved Foot Pad
5	7024-711000-100	THPTS 10 X 1.00 ZN TYA
6	263-003-003-XX	Harmony Coffee Table Top
7	263-003-084-XX	Coffee Table Shelf

Qty.	Part No.	Description
1	263-003-300-XX	Coffee Table Leg Kit
1	263-003-084-XX	Coffee Table Shelf
2	263-003-003-XX	Harmony Coffee Tabletop



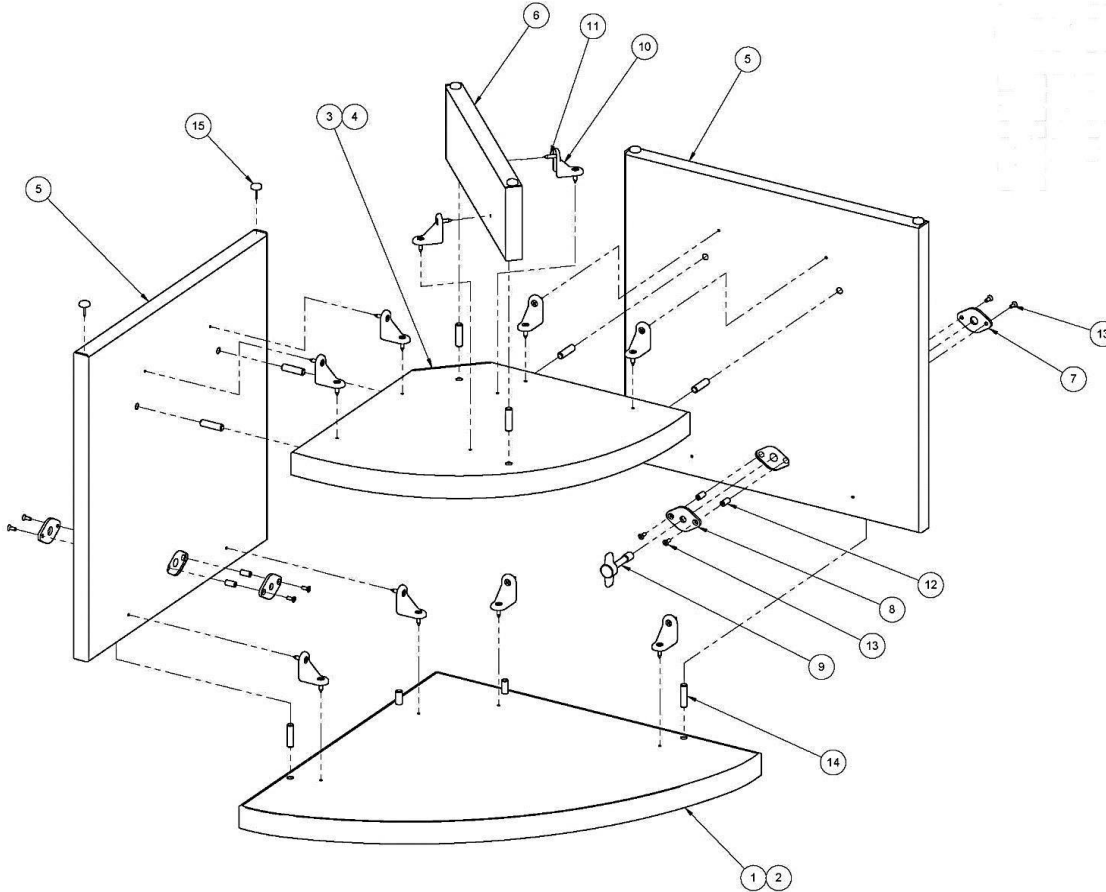
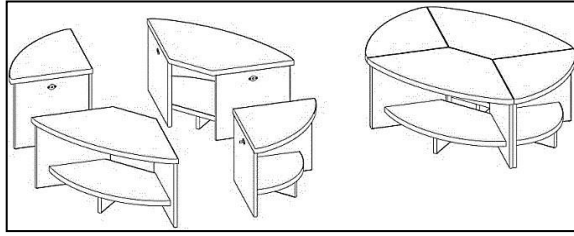
Large Modular Coffee Table, 612-300-233

Item	Part No.	Description
1	263-003-264-XX	Large MCT Top
2	263-003-265-XX	Large MCT Shelf
3	263-003-260	MCT Leg Panel
4	263-003-261	Center MCT Leg Panel
5	263-003-321	1.0 X .75 Zinc Chair Bracket
6	263-003-246	MCT Latch Interior Plate
7	263-003-245	MCT Latch Exterior Plate
8	263-003-247	MCT Latch Clamp Assembly
9	829-632-122	FHPTS 8 X 0.75 ZN TY17

Item	Part No.	Description
10	722-505-001	SFR 6-32 X 0.25 X 0.50 ZN
11	812-027-068	FHPMS 6-32 X 0.38 SS
12	263-003-328	8mm X 30mm Pre-Glued Dowel
13	263-003-329	0.63 Knock In Glide

Qty.	Part No.	Description
2	263-003-322-XX	Large MCT Table Tops Kit
2	263-003-324-XX	Large MCT Shelves Kit
2	263-003-326	MCT Legs Hardware Kit





Medium Modular Coffee Table, 612-300-234

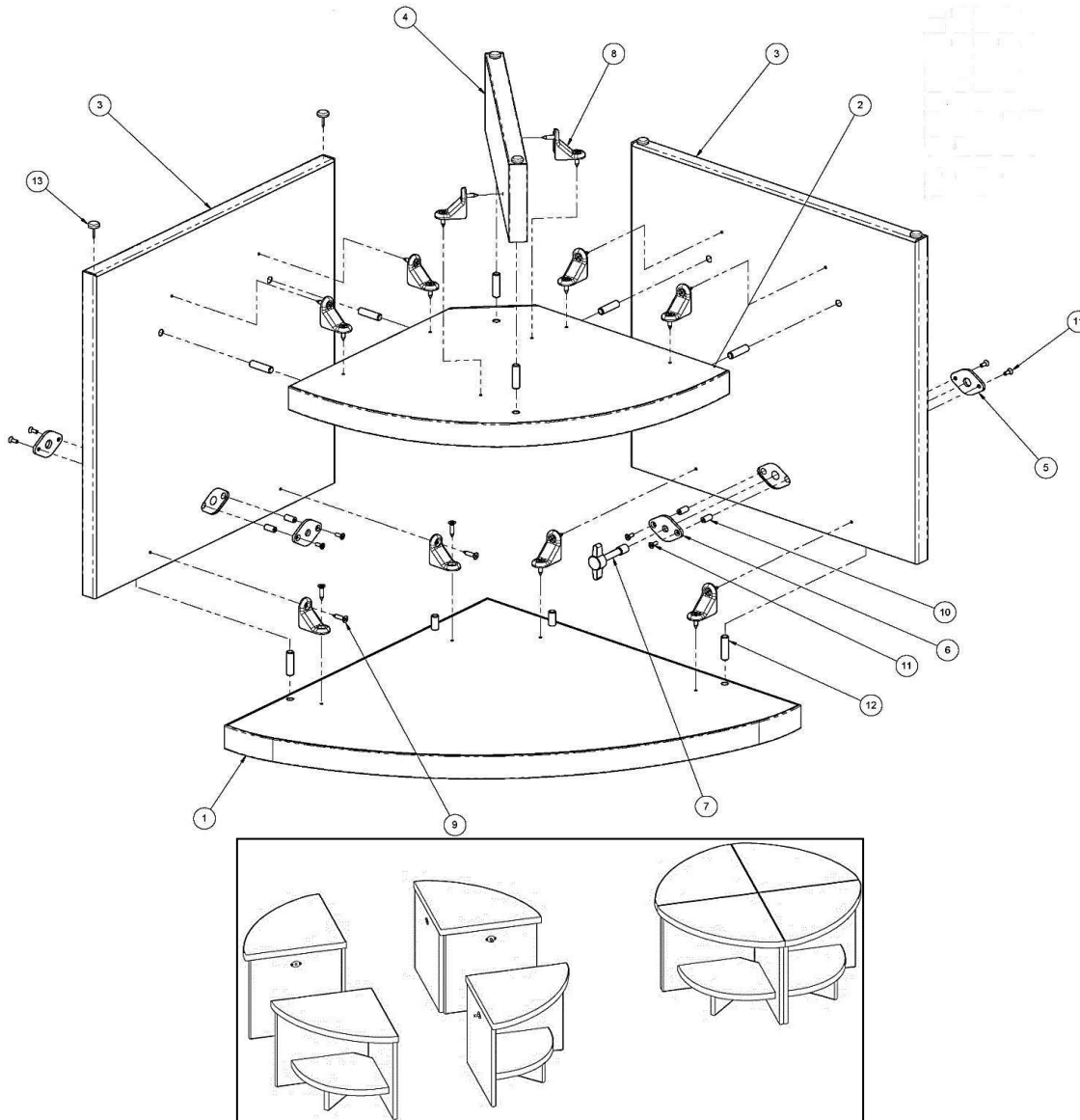
Item	Part No.	Description
#1	263-003-262-XX	Small MCT Table Top
*2	263-003-264-XX	Large MCT Table Top
#3	263-003-263-XX	Small MCT Shelf
*4	263-003-265-XX	Large MCT Shelf
5	263-003-260	MCT Leg Panel
6	263-003-261	Center MCT Leg Panel
7	263-003-245	MCT Latch Exterior Plate
8	263-003-246	MCT Latch Interior Plate
9	263-003-247	MCT Latch Clamp Assembly
10	263-003-321	MCT Latch Clamp Assembly
11	829-632-122	FHPTS 8 X 0.75 ZN TY17
12	722-505-001	SFR 6-32 X 0.25 X 0.50 ZN
13	812-027-068	FHPMS 6-32 X 0.38 SS

Item	Part No.	Description
14	263-003-328	8mm X 30mm Pre-Glued Dowel
15	263-003-329	0.63 Knock In Glide

* - 263-003-322-XX **and** 263-003-324-XX (per module)
 or
 # - 263-003-323-XX **and** 263-003-325-XX (per module)

Qty.	Part No.	Description
*1	263-003-322-XX	Large Modular Coffee Tabletops Kit
#1	263-003-323-XX	Small Modular Coffee Tabletops Kit
*1	263-003-324-XX	Large Modular Coffee Table Shelves Kit
#1	263-003-325-XX	Small Modular Coffee Table Shelves Kit
2	263-003-326	Modular Coffee Table Leg Hardware Kit



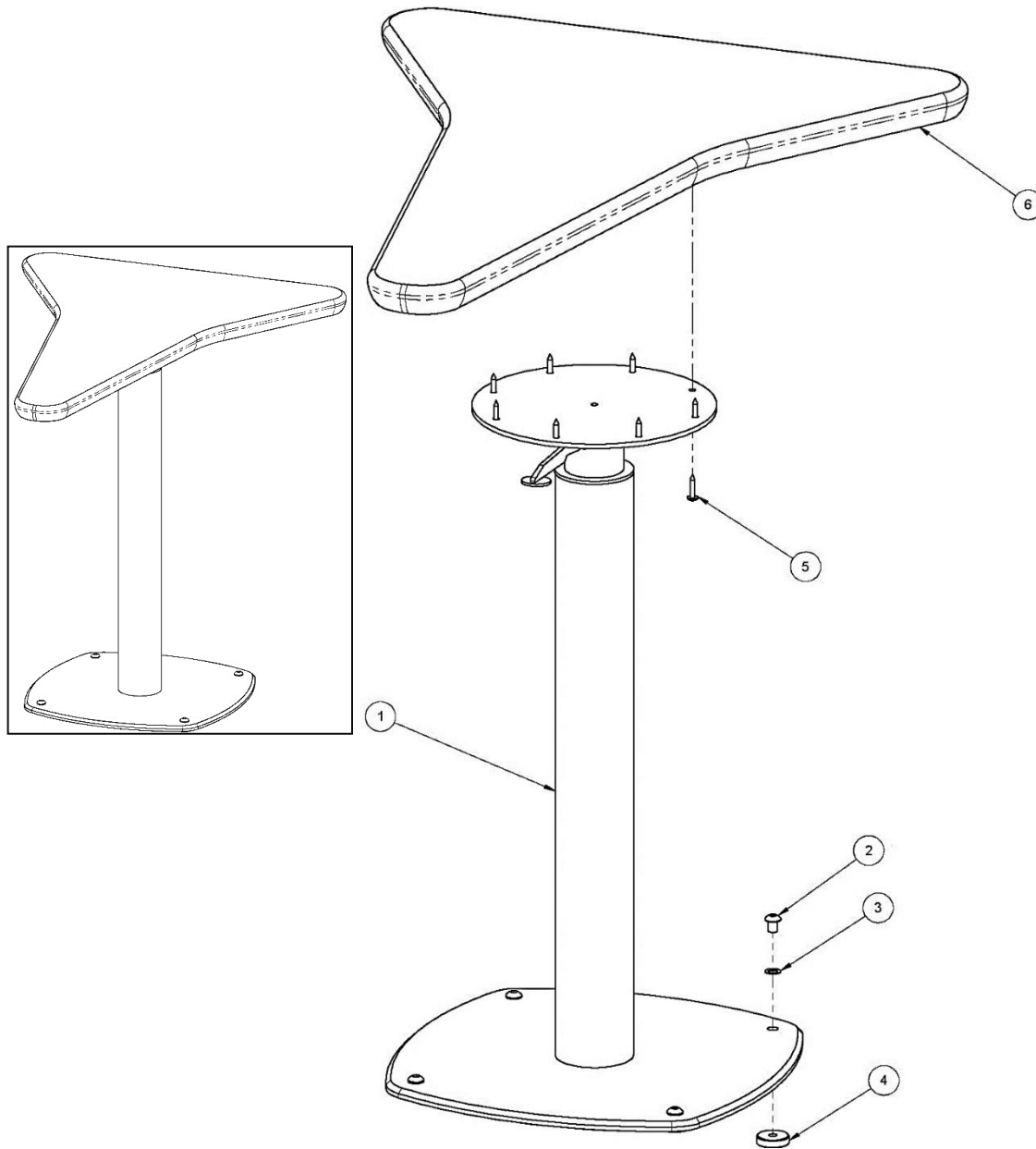


Small Modular Coffee Table, 612-300-231

Item	Part No.	Description
1	263-003-262-XX	Small MCT Table Top
2	263-003-263-XX	Small MCT Shelf
3	263-003-260	MCT Leg Panel
4	263-003-261	Center MCT Leg Panel
5	263-003-245	MCT Latch Exterior Plate
6	263-003-246	MCT Latch Interior Plate
7	263-003-247	MCT Latch Clamp Assembly
8	263-003-321	MCT Latch Clamp Assembly
9	829-632-122	FHPTS 8 X 0.75 ZN TY17
10	722-505-001	SFR 6-32 X 0.25 X 0.50 ZN

Item	Part No.	Description
11	812-027-068	FHPMS 6-32 X 0.38 SS
12	263-003-328	8mm X 30mm Pre-Glued Dowel
13	263-003-329	0.63 Knock In Glide

Qty.	Part No.	Description
2	263-003-323-XX	Small Modular Coffee Tabletops Kit
2	263-003-325-XX	Small Modular Coffee Table Shelves Kit
2	263-003-326	Modular Coffee Table Leg Hardware Kit

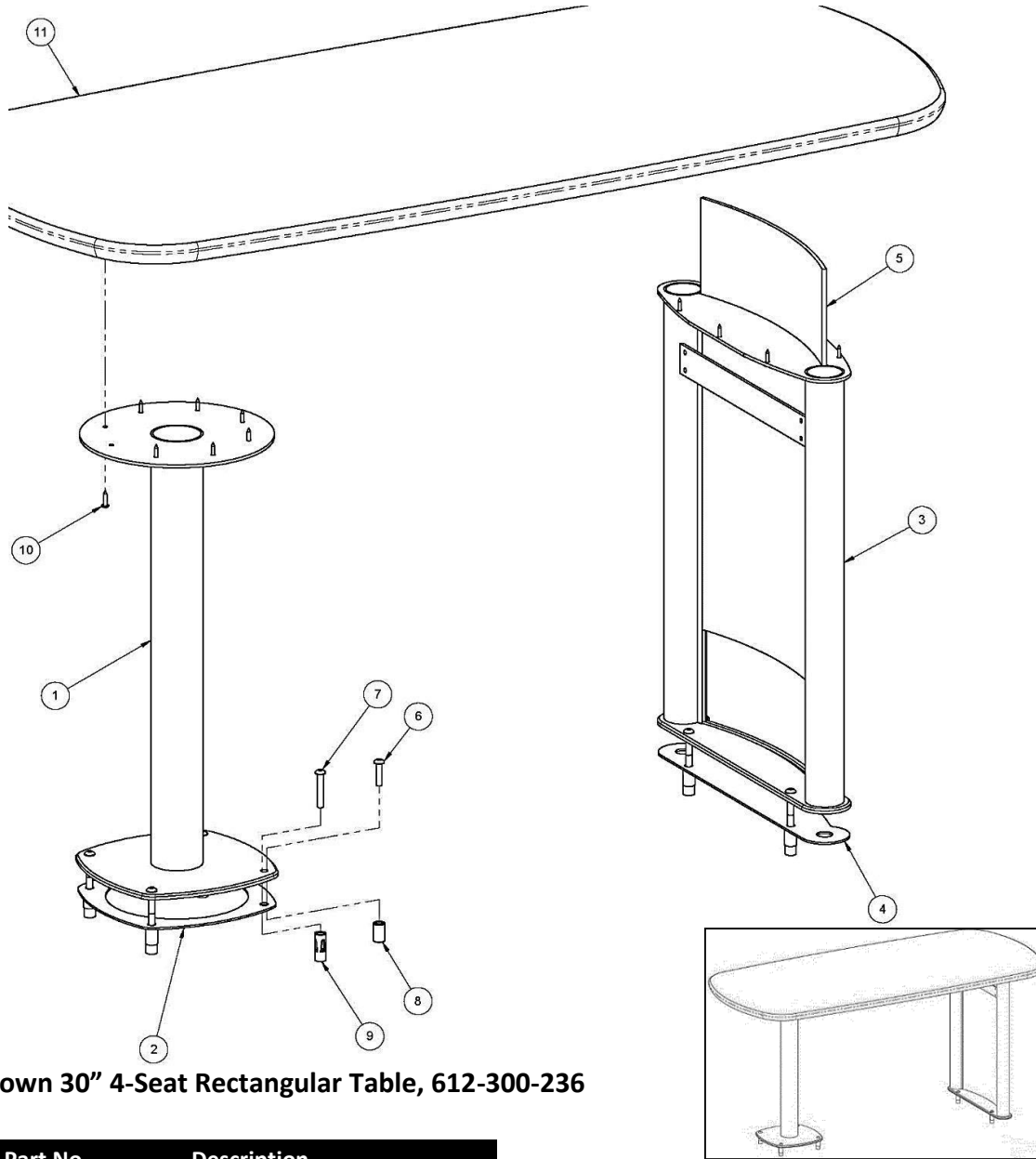


Variable Height Free Standing Arrow Table, 612-300-235

Item	Part No.	Description
1	263-003-313	Gas Shock Leg
2	808-566-087	BHSCS 3/8-24 X 0.50 ZN
3	7052-039062-003	FW 0.39 X 0.63 X 0.03 ZN
4	263-003-269	Harmony Foot Glide
5	7024-711000-100	THPTS 10 X 1.00 ZN TYA
6	263-003-008-XX	Harmony Arrow Table Top

Qty.	Part No.	Description
1	263-003-008-XX	Harmony Arrow Table Top
1	263-003-238	Variable Height Arrow Leg Kit





Bolt-Down 30" 4-Seat Rectangular Table, 612-300-236

Item	Part No.	Description
1	263-003-077	BD 30" Tube Weldment
2	263-003-142	BD Round Foot Pad
3	263-003-068	30H Wide Curved Leg weldment
4	263-003-143	Wide Curved Foot Pad
5	263-003-138-XX	30H Wide Curved Panel
#6	813-549-247	BHSCS 3/8-16 X 1.50 ZN
*7	813-549-367	BHSCS 3/8-16 X 2.25 ZN
#8	709-009-053	3/8-16 Hex Drive Wood Insert
*9	709-009-052	3/8-16 Forway Anchor
10	7024-711000-100	THPTS 10 X 1.00 ZN TYA
11	263-003-000-XX	Harmony 4-Seat Table Top

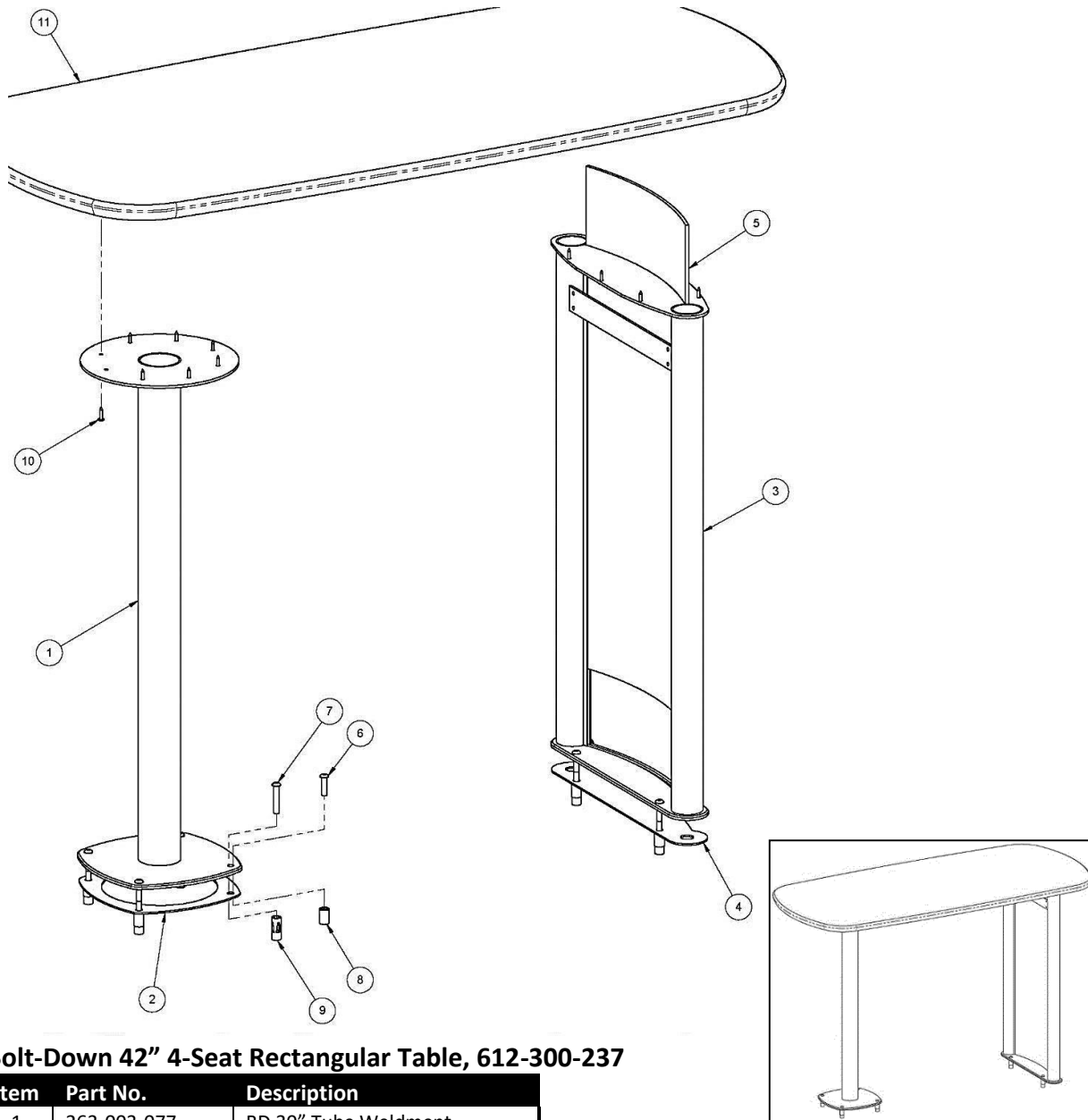
* - 263-003-287CT **and** 263-003-286CT-XX

or

- 263-003-287WD **and** 263-003-286WD-XX

Qty.	Part No.	Description
*1	263-003-287CT	Concrete 30H Round Leg Kit
#1	263-003-287WD	Wood 30H Round Leg Kit
*1	263-003-286CT-XX	Concrete 30H Wide Leg Kit
#1	263-003-286WD-XX	Wood 30H Wide Leg Kit
1	263-003-000-XX	Harmony 4-Seat Table Top





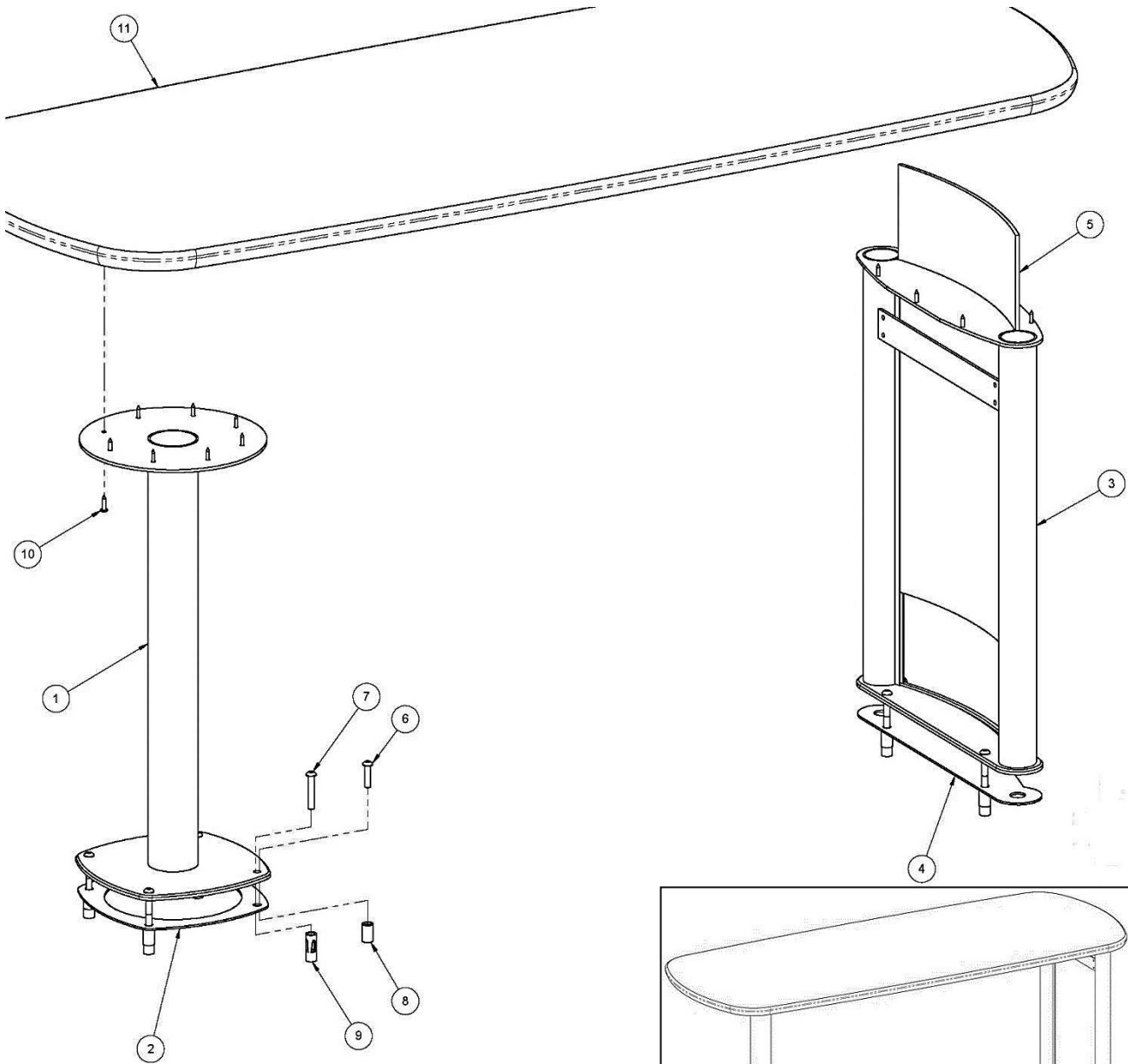
Bolt-Down 42" 4-Seat Rectangular Table, 612-300-237

Item	Part No.	Description
1	263-003-077	BD 30" Tube Weldment
2	263-003-142	BD Round Foot Pad
3	263-003-068	30H Wide Curved Leg weldment
4	263-003-143	Wide Curved Foot Pad
5	263-003-138-XX	30H Wide Curved Panel
#6	813-549-247	BHSCS 3/8-16 X 1.50 ZN
*7	813-549-367	BHSCS 3/8-16 X 2.25 ZN
#8	709-009-053	3/8-16 Hex Drive Wood Insert
*9	709-009-052	3/8-16 Forway Anchor
10	7024-711000-100	THPTS 10 X 1.00 ZN TYA
11	263-003-000-XX	Harmony 4-Seat Table Top

* - 263-003-287CT *and* 263-003-286CT-XX
or
 # - 263-003-287WD *and* 263-003-286WD-XX

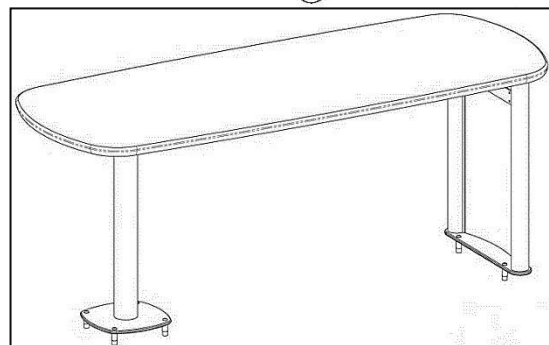
Qty.	Part No.	Description
*1	263-003-287CT	Concrete 30H Round Leg Kit
#1	263-003-287WD	Wood 30H Round Leg Kit
*1	263-003-286CT-XX	Concrete 30H Wide Leg Kit
#1	263-003-286WD-XX	Wood 30H Wide Leg Kit
1	263-003-000-XX	Harmony 4-Seat Table Top





Bolt-Down 30" 6-Seat Rectangular Table, 612-300-238

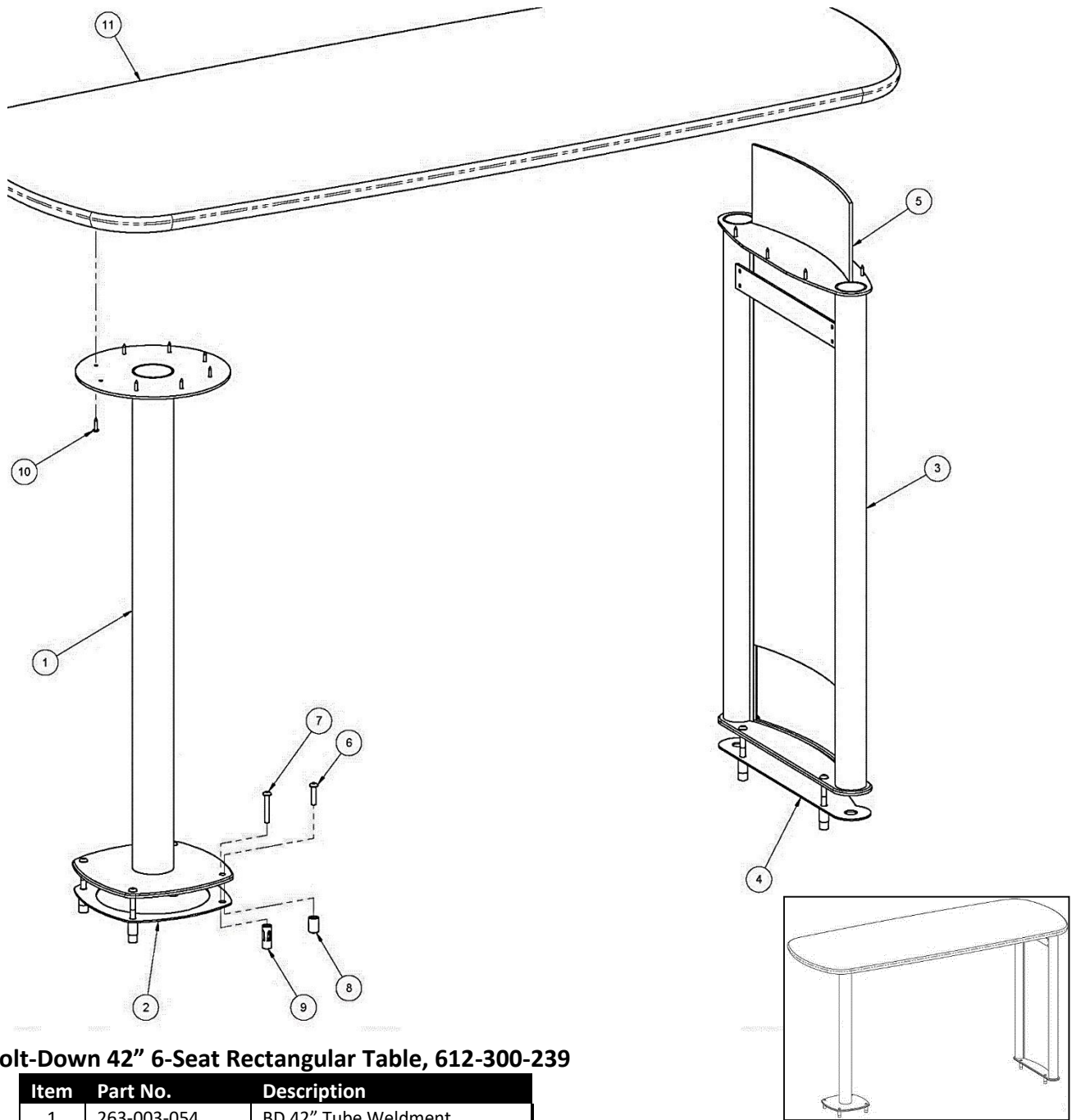
Item	Part No.	Description
1	263-003-077	BD 30" Tube Weldment
2	263-003-142	BD Round Foot Pad
3	263-003-068	30H Wide Curved Leg weldment
4	263-003-143	Wide Curved Foot Pad
5	263-003-138-XX	30H Wide Curved Panel
#6	813-549-247	BHSCS 3/8-16 X 1.50 ZN
*7	813-549-367	BHSCS 3/8-16 X 2.25 ZN
#8	709-009-053	3/8-16 Hex Drive Wood Insert
*9	709-009-052	3/8-16 Forway Anchor
10	7024-711000-100	THPTS 10 X 1.00 ZN TYA
11	263-003-001-XX	Harmony 6-Seat Table Top



* - 263-003-287CT **and** 263-003-286CT-XX
 or
 # - 263-003-287WD **and** 263-003-286WD-XX

Qty.	Part No.	Description
*1	263-003-287CT	Concrete 30H Round Leg Kit
#1	263-003-287WD	Wood 30H Round Leg Kit
*1	263-003-286CT-XX	Concrete 30H Wide Leg Kit
#1	263-003-286WD-XX	Wood 30H Wide Leg Kit
1	263-003-001-XX	Harmony 6-Seat Table Top





Bolt-Down 42" 6-Seat Rectangular Table, 612-300-239

Item	Part No.	Description
1	263-003-054	BD 42" Tube Weldment
2	263-003-142	BD Round Foot Pad
3	263-003-058	42H Wide Curved Leg weldment
4	263-003-143	Wide Curved Foot Pad
5	263-003-137-XX	42H Wide Curved Panel
#6	813-549-247	BHSCS 3/8-16 X 1.50 ZN
*7	813-549-367	BHSCS 3/8-16 X 2.25 ZN
#8	709-009-053	3/8-16 Hex Drive Wood Insert
*9	709-009-052	3/8-16 Forway Anchor
10	7024-711000-100	THPTS 10 X 1.00 ZN TYA
11	263-003-001-XX	Harmony 6-Seat Table Top

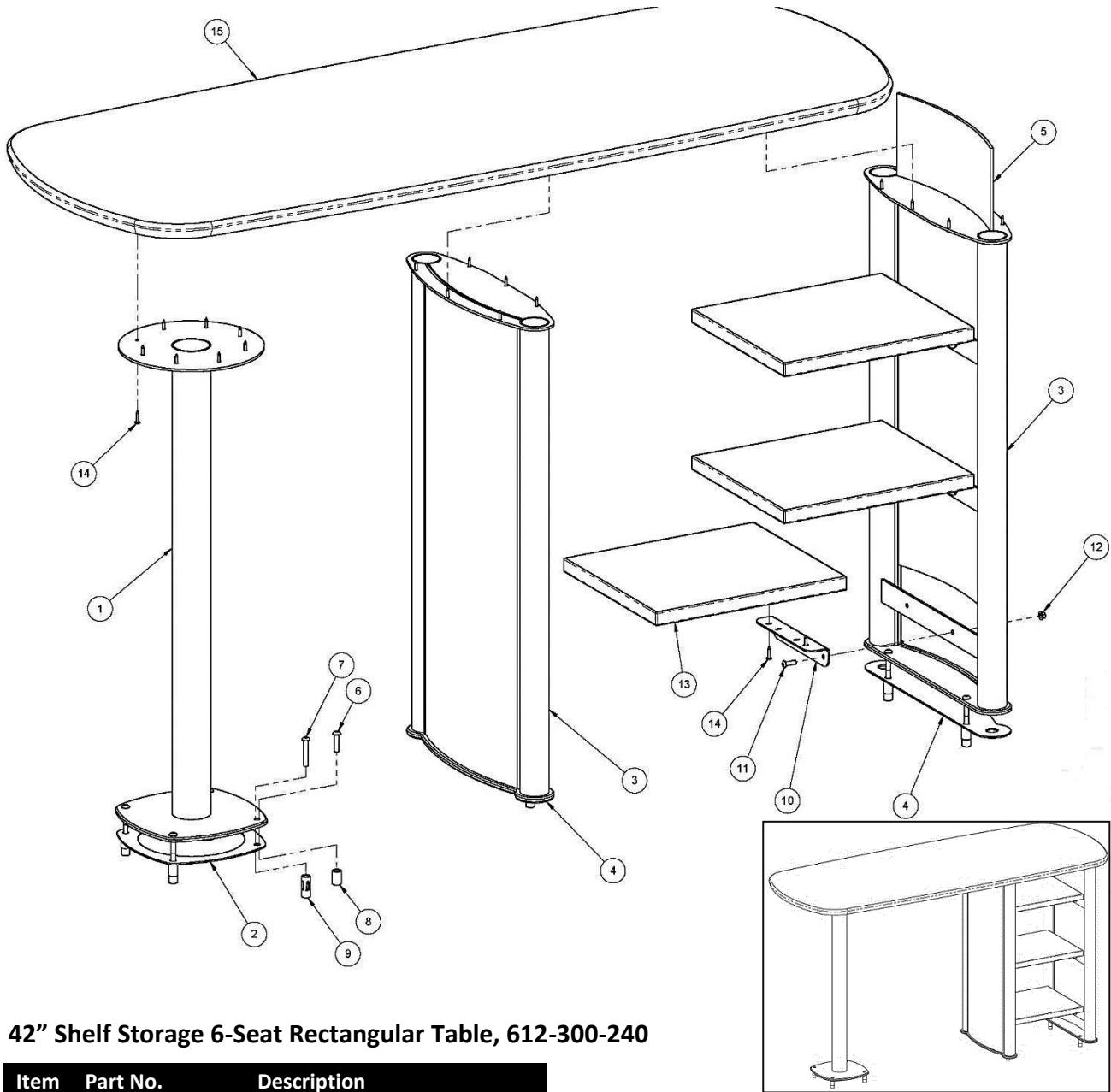
* - 263-003-292CT **and** 263-003-291CT-XX

or

- 263-003-292WD **and** 263-003-291WD-XX

Qty.	Part No.	Description
*1	263-003-292CT	Concrete 42H Round Leg Kit
#1	263-003-292WD	Wood 42H Round Leg Kit
*1	263-003-291CT-XX	Concrete 42H Wide Leg Kit
#1	263-003-291WD-XX	Wood 42H Wide Leg Kit
1	263-003-001-XX	Harmony 6-Seat Table Top





42" Shelf Storage 6-Seat Rectangular Table, 612-300-240

Item	Part No.	Description
1	263-003-054	BD 42" Tube Weldment
2	263-003-142	BD Round Foot Pad
3	263-003-075	Curved Wide Rack Leg Weldment
4	263-003-143	Wide Curved Foot Pad
5	263-003-137-XX	42H Wide Curved Panel
#6	813-549-247	BHSCS 3/8-16 X 1.50 ZN
*7	813-549-367	BHSCS 3/8-16 X 2.25 ZN
#8	709-009-053	3/8-16 Hex Drive Wood Insert
*9	709-009-052	3/8-16 Forway Anchor
10	263-003-155	End Shelf Bracket
11	808-557-167	BHSCS 5/16-18 X 1.00 ZN
12	856-157-007	HFLN 5/16-18 ZN STV
13	263-003-175-XX	6-Seat Table Shelf
14	7024-711000-100	THPTS 10 X 1.00 ZN TYA
15	263-003-001-XX	Harmony 6-Seat Table Top

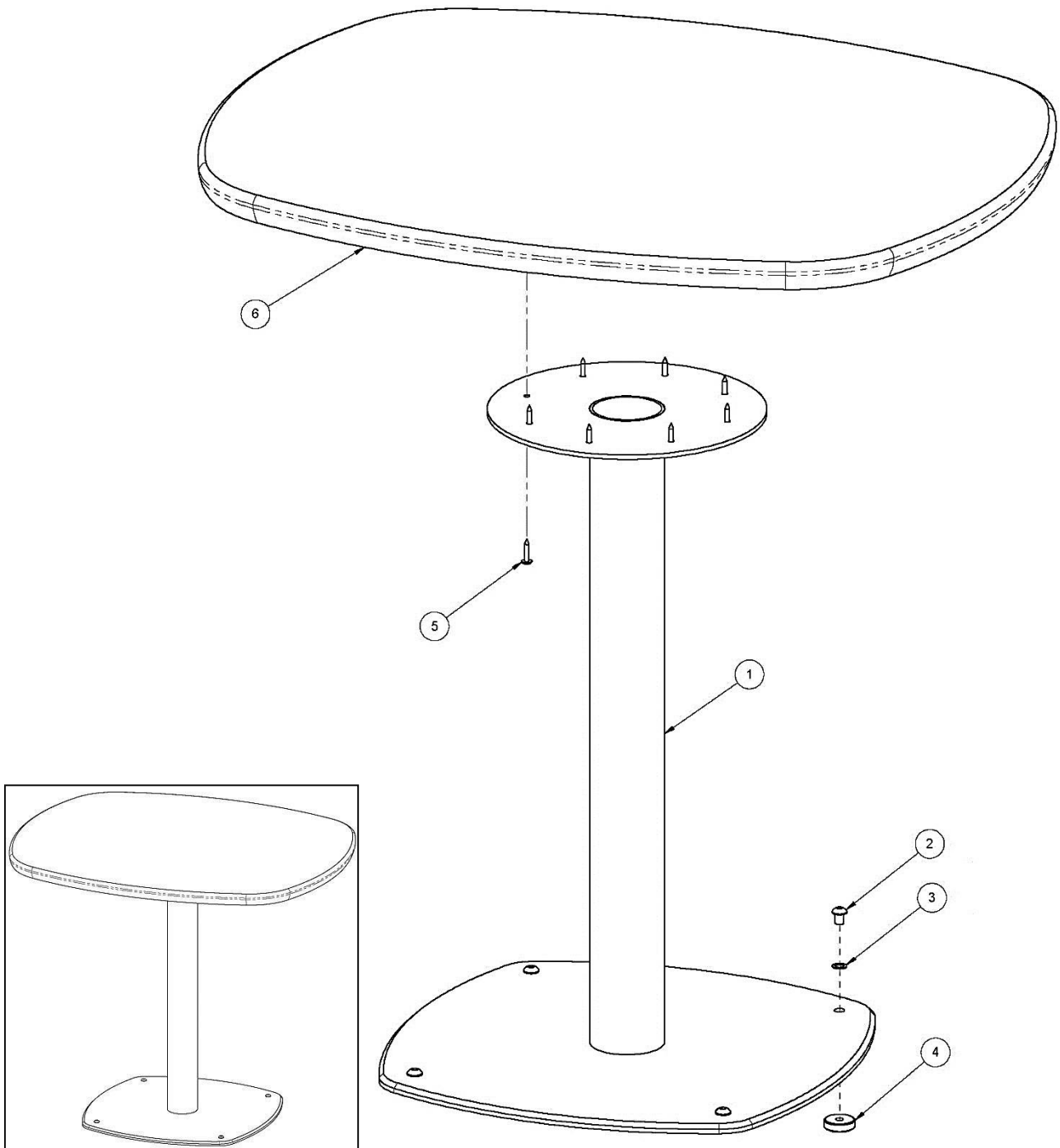
* - 263-003-292CT **and** 263-003-294CT-XX

or

- 263-003-292WD **and** 263-003-294WD-XX

Qty.	Part No.	Description
*1	263-003-292CT	Concrete 42H Round Leg Kit
#1	263-003-292WD	Wood 42H Round Leg Kit
*2	263-003-294CT-XX	Concrete Wide Rack Leg Kit
#2	263-003-294WD-XX	Wood Wide Rack Leg Kit
1	263-003-223	Short Shelves Hardware Kit
3	263-003-175-XX	6-Seat Table Shelf
1	263-003-001-XX	Harmony 6-Seat Table Top



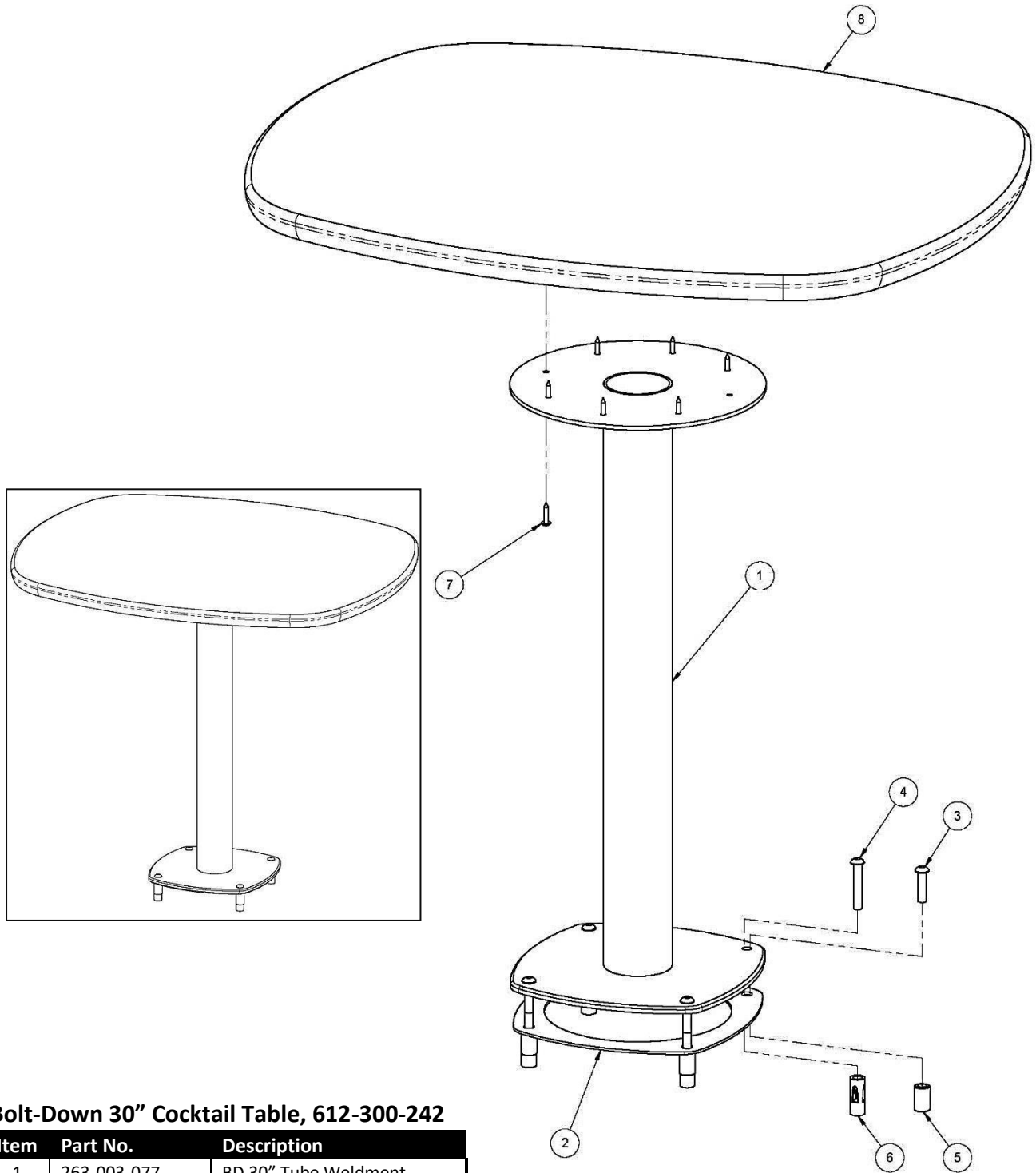


Free Standing 30" Cocktail Table, 612-300-241

Item	Part No.	Description
1	263-003-079	FS 30" Tube Weldment
2	808-566-087	BHSCS 3/8-24 X 0.50 ZN
3	7052-039062-003	FW 0.39 X 0.63 X 0.03 ZN
4	263-003-269	Harmony Foot Glide
5	7024-711000-100	THPTS 10 X 1.00 ZN TYA
6	263-003-004-XX	Harmony Cocktail Table Top

Qty.	Part No.	Description
1	263-003-298	FS 30H Round Leg Kit
1	263-003-004-XX	Harmony Cocktail Table Top





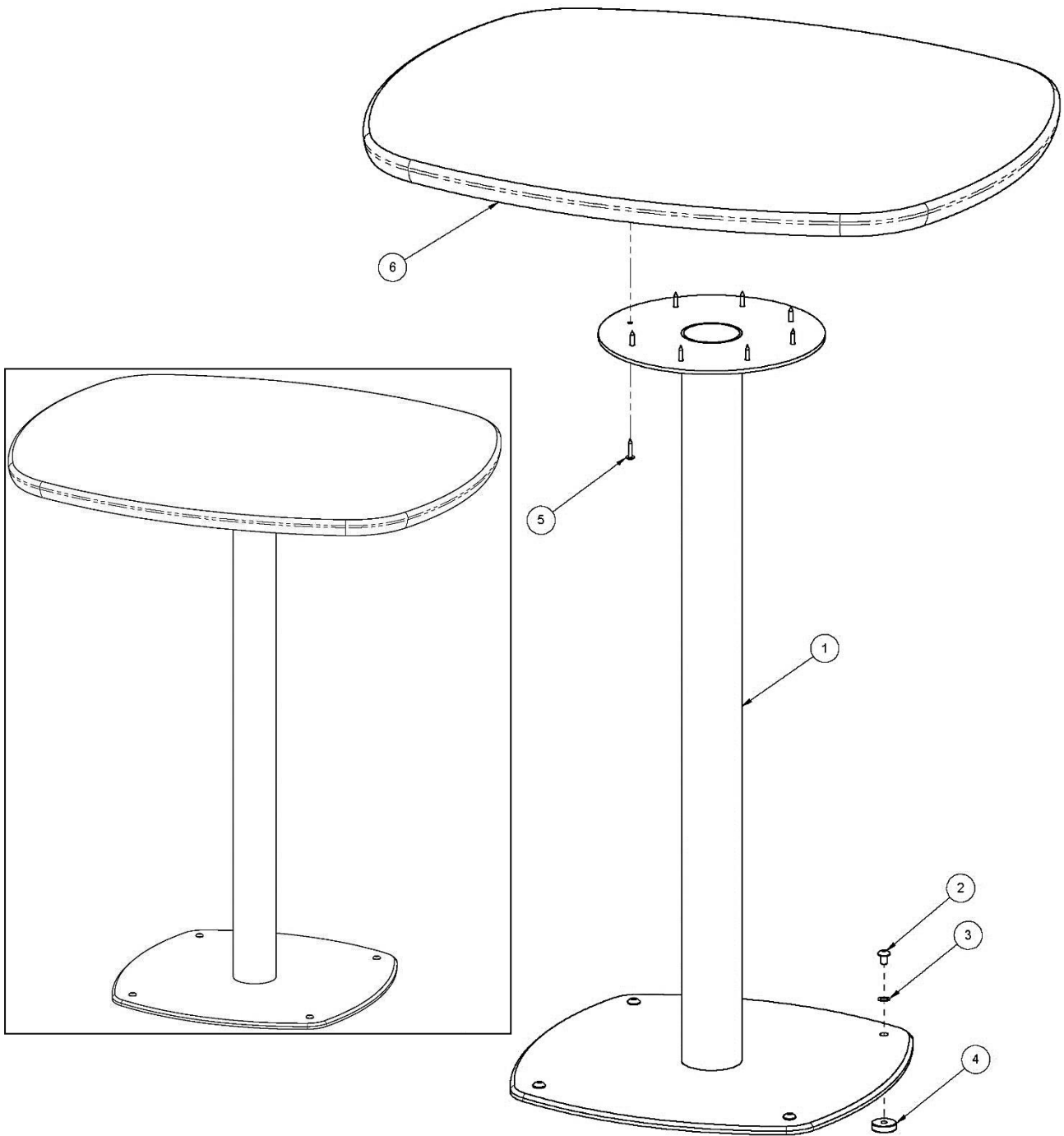
Bolt-Down 30" Cocktail Table, 612-300-242

Item	Part No.	Description
1	263-003-077	BD 30" Tube Weldment
2	263-003-142	BD Round Foot Pad
#3	813-549-247	BHSCS 3/8-16 X 1.50 ZN
*4	813-549-367	BHSCS 3/8-16 X 2.25 ZN
#5	709-009-053	3/8-16 Hex Drive Wood Insert
*6	709-009-052	3/9-16 Forway Anchor
7	7024-711000-100	THPTS 10 X 1.00 ZN TYA
8	263-003-004-XX	Harmony Cocktail Table Top

* - 263-003-287CT
 or
 # - 263-003-287WD

Qty.	Part No.	Description
*1	263-003-287CT	Concrete 30H Round Leg Kit
#1	263-003-287WD	Wood 30H Round Leg Kit
1	263-003-004-XX	Harmony Cocktail Table Top



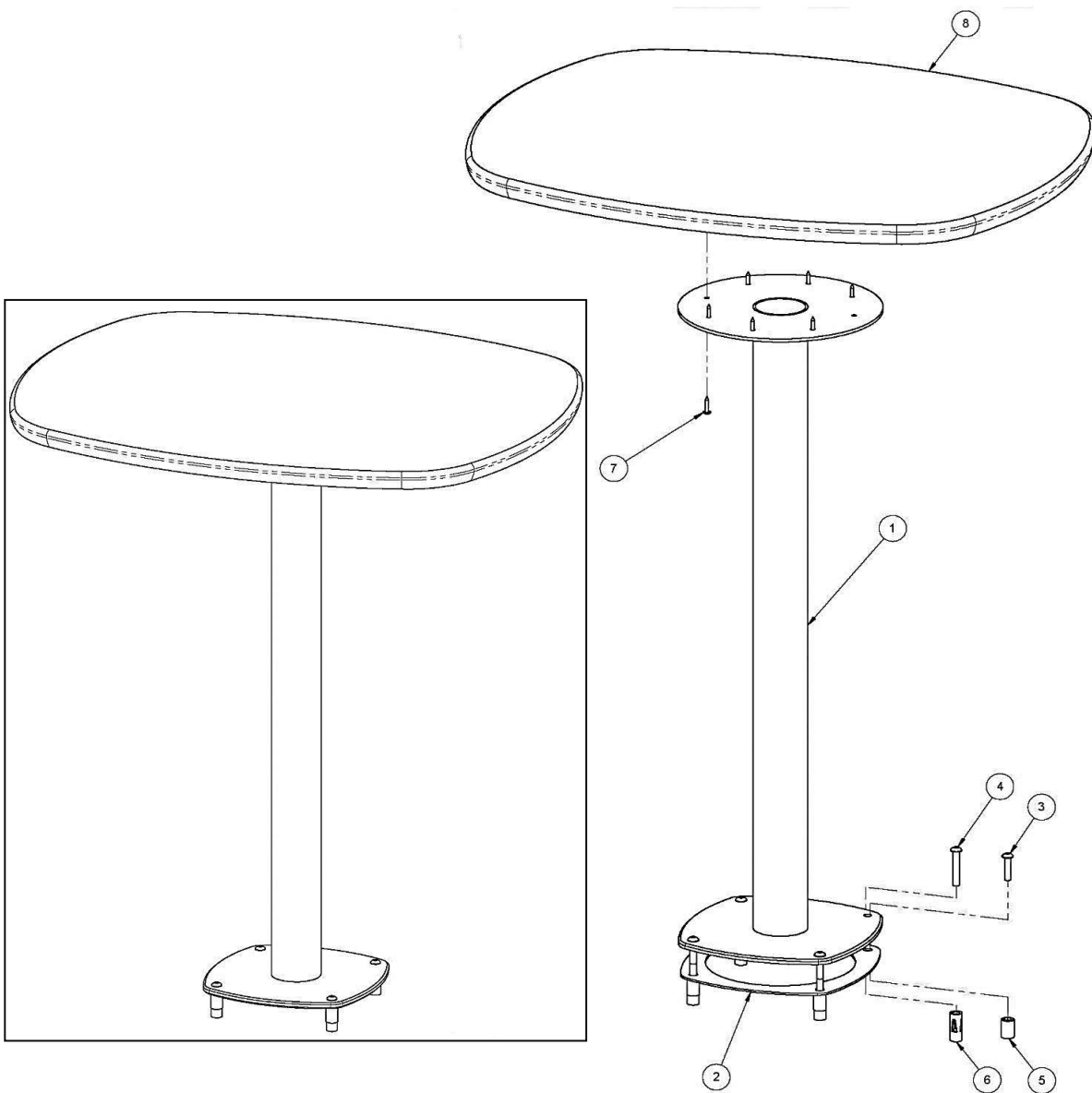


Free Standing 42" Cocktail Table, 612-300-243

Item	Part No.	Description
1	263-003-085	FS 42" Tube Weldment
2	808-557-087	BHSCS 3/8-24 X 0.50 ZN
3	7052-039062-003	FW 0.39 X 0.63 X 0.03 ZN
4	263-003-269	Harmony Foot Glide
5	7024-711000-100	THPTS 10 X 1.00 ZN TYA
6	263-003-004-XX	Harmony Cocktail Table Top

Qty.	Part No.	Description
1	263-003-299	FS 42H Round Leg Kit
1	263-003-004-XX	Harmony Cocktail Table Top





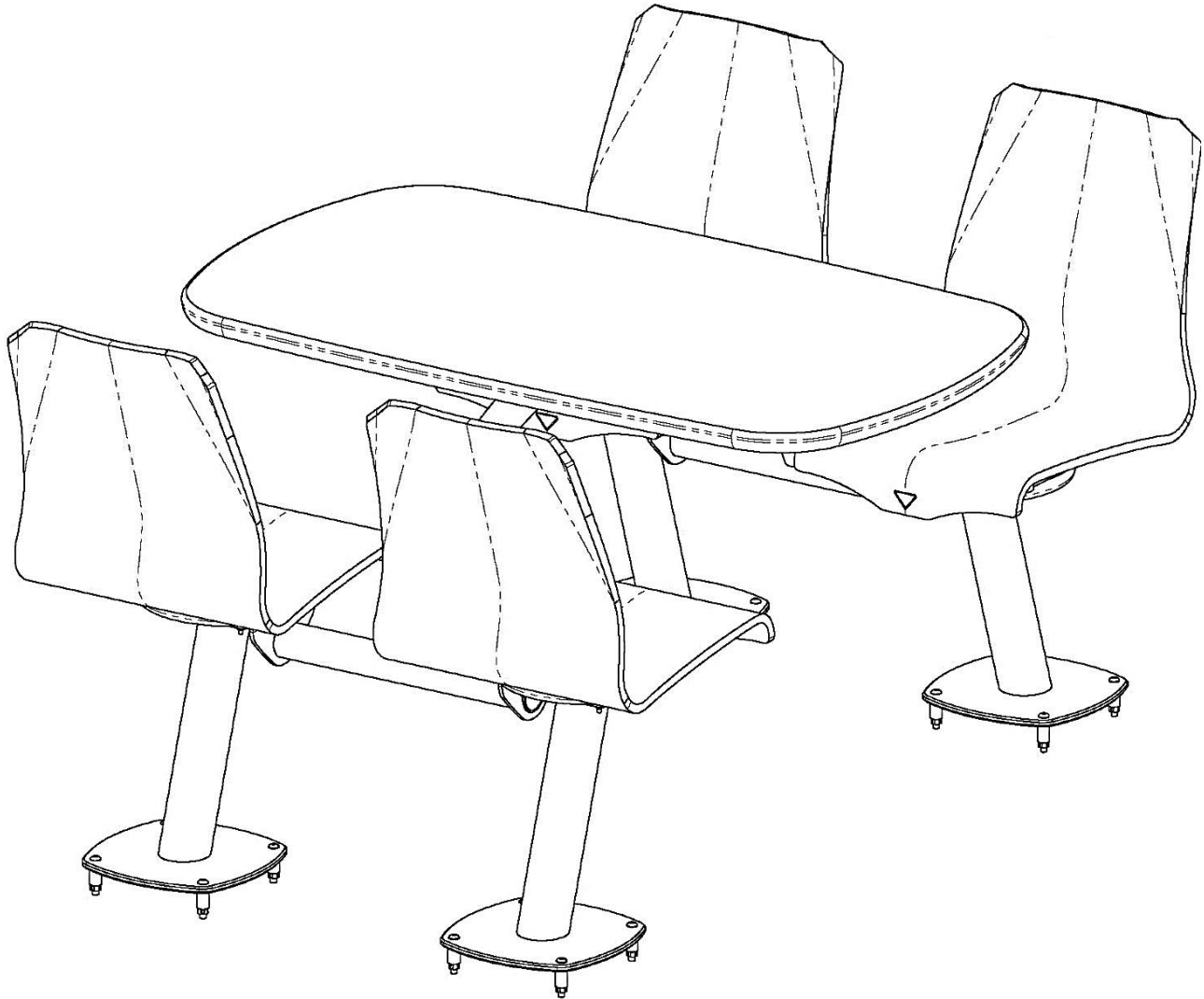
Bolt-Down 42" Cocktail Table, 612-300-244

Item	Part No.	Description
1	263-003-054	BD 42" Tube Weldment
2	263-003-142	BD Round Foot Pad
*3	813-549-247	BHSCS 3/8-16 X 1.50 ZN
*4	813-549-367	BHSCS 3/8-16 X 2.25 ZN
#5	709-009-053	3/8-16 Hex Drive Wood Insert
#6	709-009-052	3/8-16 Forway Anchor
7	7024-711000-100	THPTS 10 X 1.00 ZN TYA
8	263-003-004-XX	Harmony Cocktail Table Top

* - 263-003-292CT-XX
 or
 # - 263-003-292WD-XX

Qty.	Part No.	Description
1	263-003-292CT-XX	Concrete 42H Round Leg Kit
1	263-003-292WD-XX	Wood 42H Round Leg Kit
1	263-003-004-XX	Harmony Cocktail Table Top



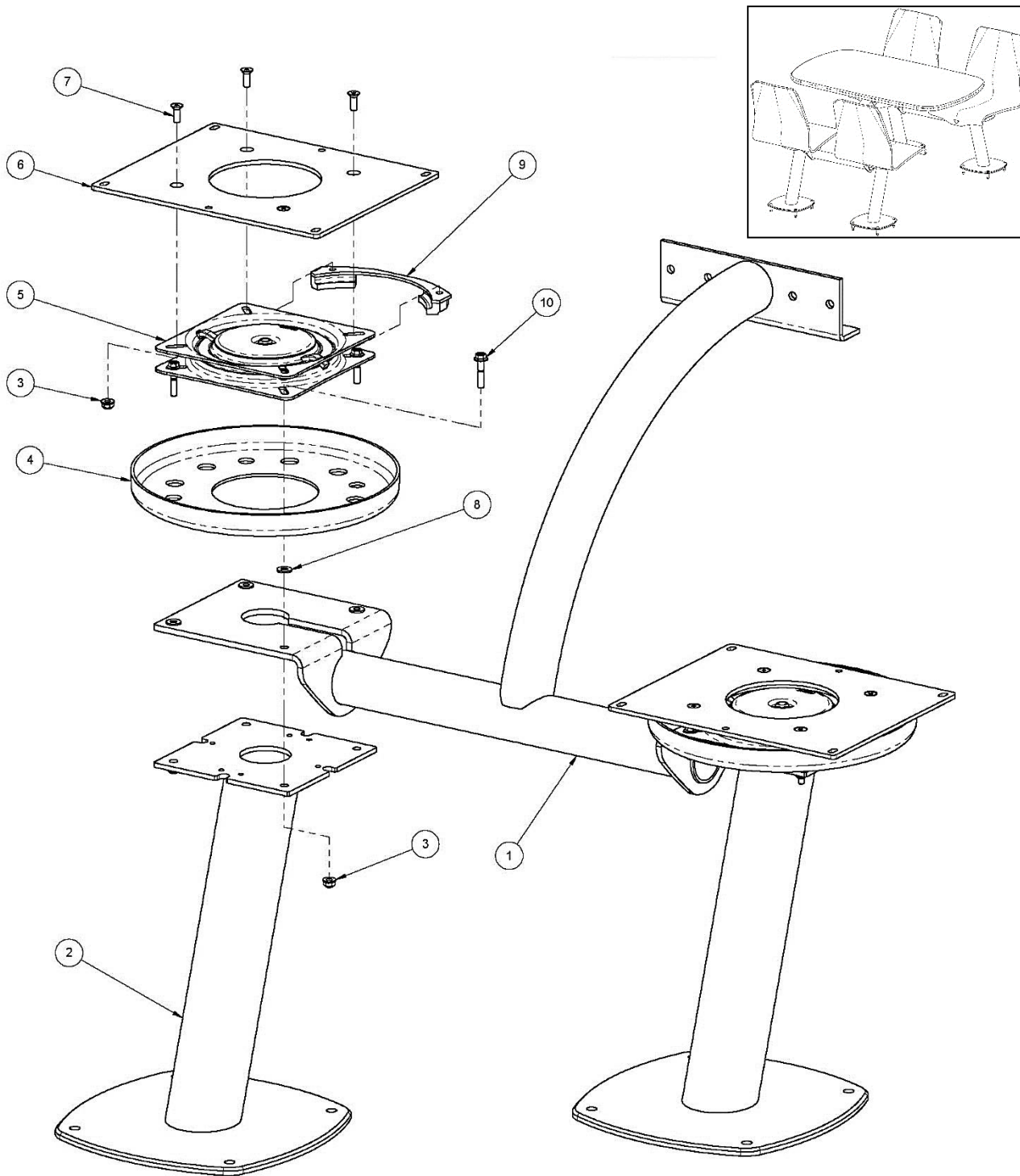


4-Seat Rectangular Cluster Table, 612-300-245

Qty.	Part No.	Description
*4	263-003-280CT	Concrete Chair Pedestal Kit
*4	263-003-280WD	Wood Chair Pedestal Kit
1	263-003-257	Cluster Hardware Kit
2	263-003-250	Cluster Weldment
1	263-003-185	Rectangular Cluster Weldment Bracket
1	263-003-005-XX	Harmony Double Ball Rack Table Top
4	263-003-015-XX	Energy Seat

* - 263-003-280CT or 263-003-280WD



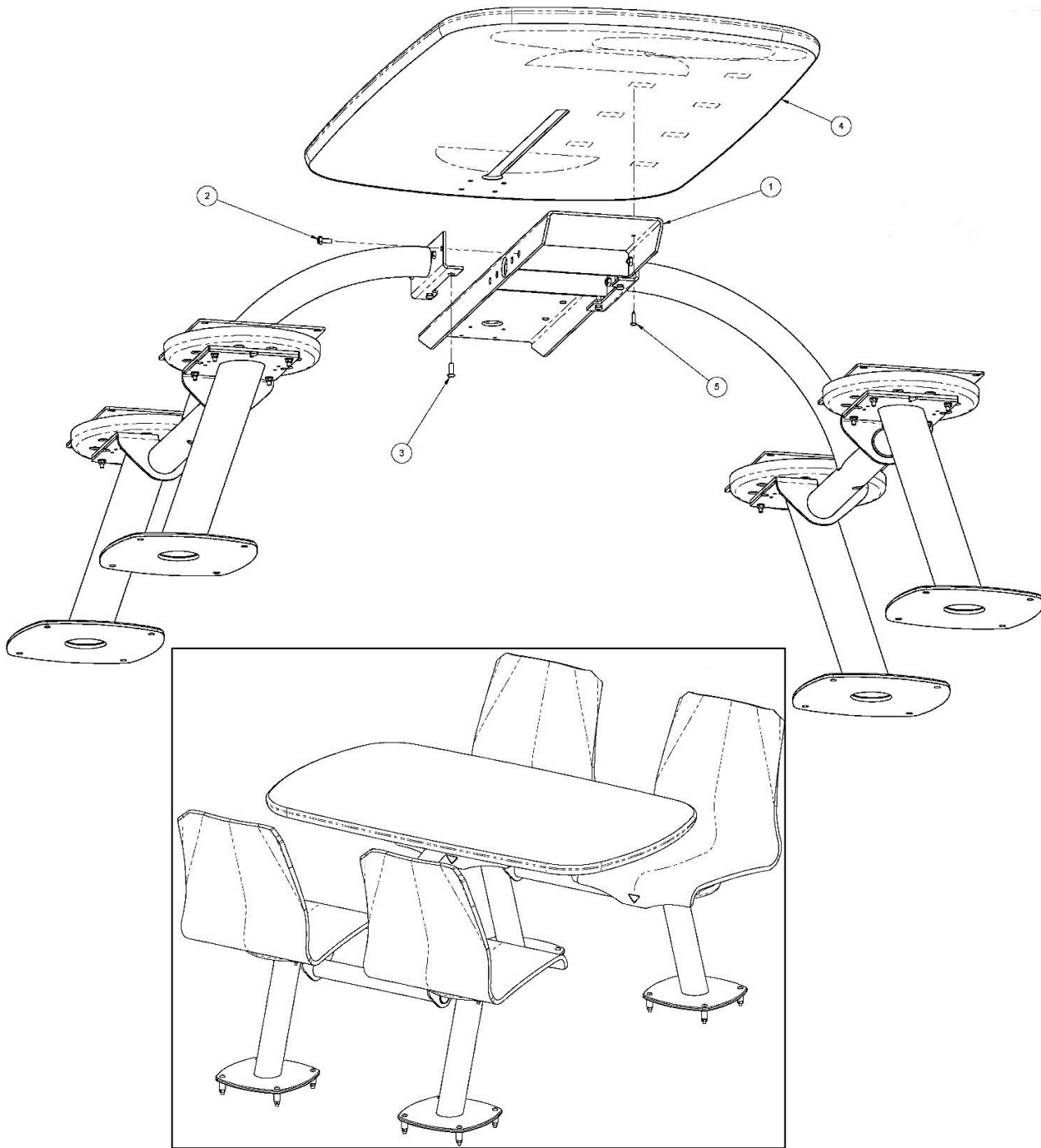


4-Seat Rectangular Cluster Table, 612-300-245

Item	Part No.	Description
1	263-003-250	Cluster Weldment
2	263-003-111	TH-S BD Chair Pedestal Weldment
3	856-149-001	HFLN 1/4-20 BO STV
4	263-003-197	Harmony Swivel Cover
5	263-003-152	Dual Flange Flat Swivel

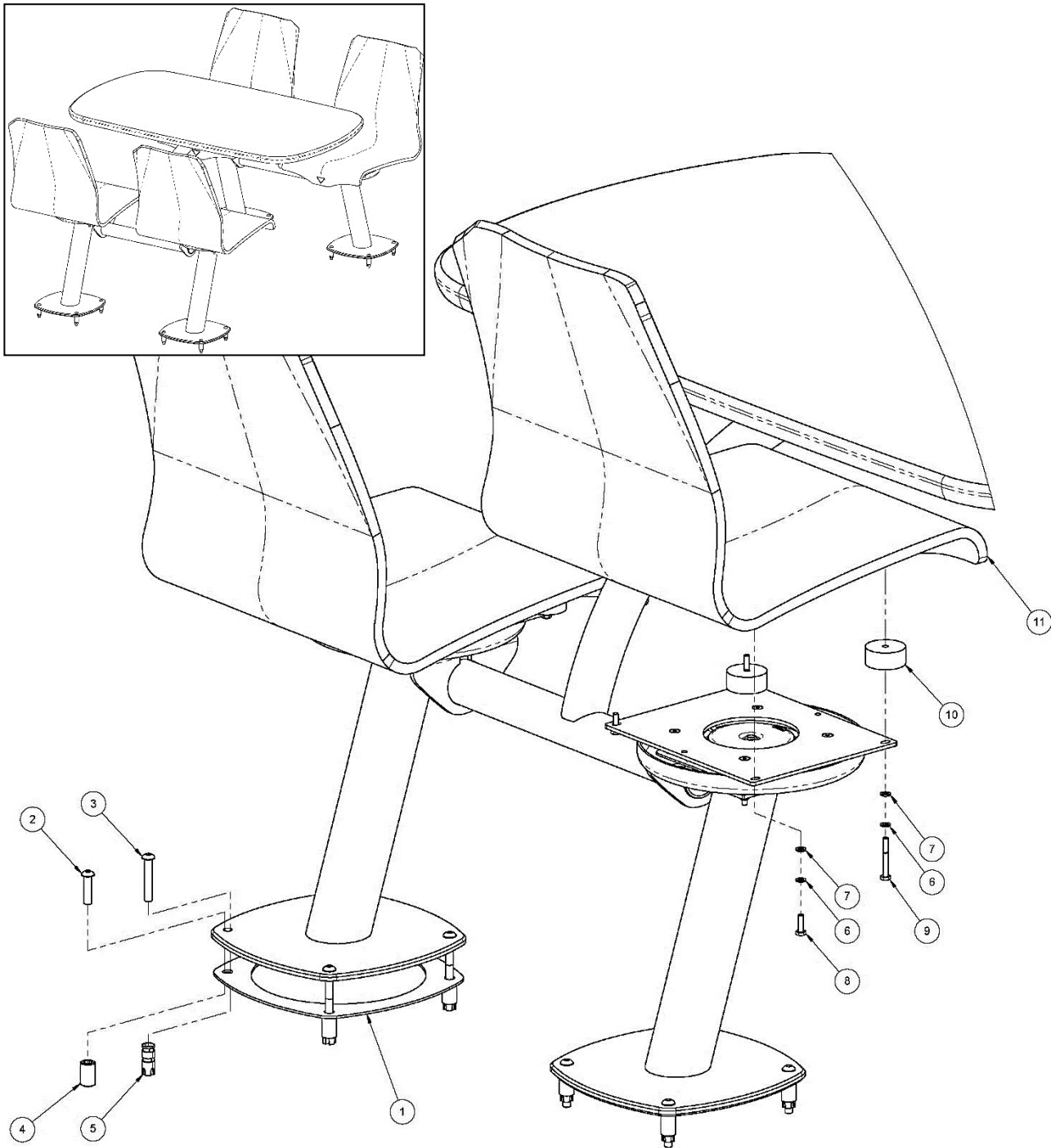
Item	Part No.	Description
6	263-003-196	Energy Seat Adapter
7	808-849-120	FHSCS 1/4-20 X 0.75 BO
8	7050-028062-006	FW 1/4 SAE ZN
9	263-003-226	Cluster Stop Weldment
10	801-749-201	FBCS 1/4-20 X 1.25 GR8 BO





4-Seat Rectangular Cluster Table, 612-300-245

Item	Part No.	Description
1	263-003-185	Rectangular Cluster Weldment Bracket
2	809-857-125	HHCS 5/16-18 X 0.75 GR8 PB
3	808-557-140	BHSCS 5/16-18 X 0.88 BO
4	263-003-005-XX	Harmony Double Ball Rack Table Top
5	7024-711000-100	THPTS 10 X 1.00 ZN TYA



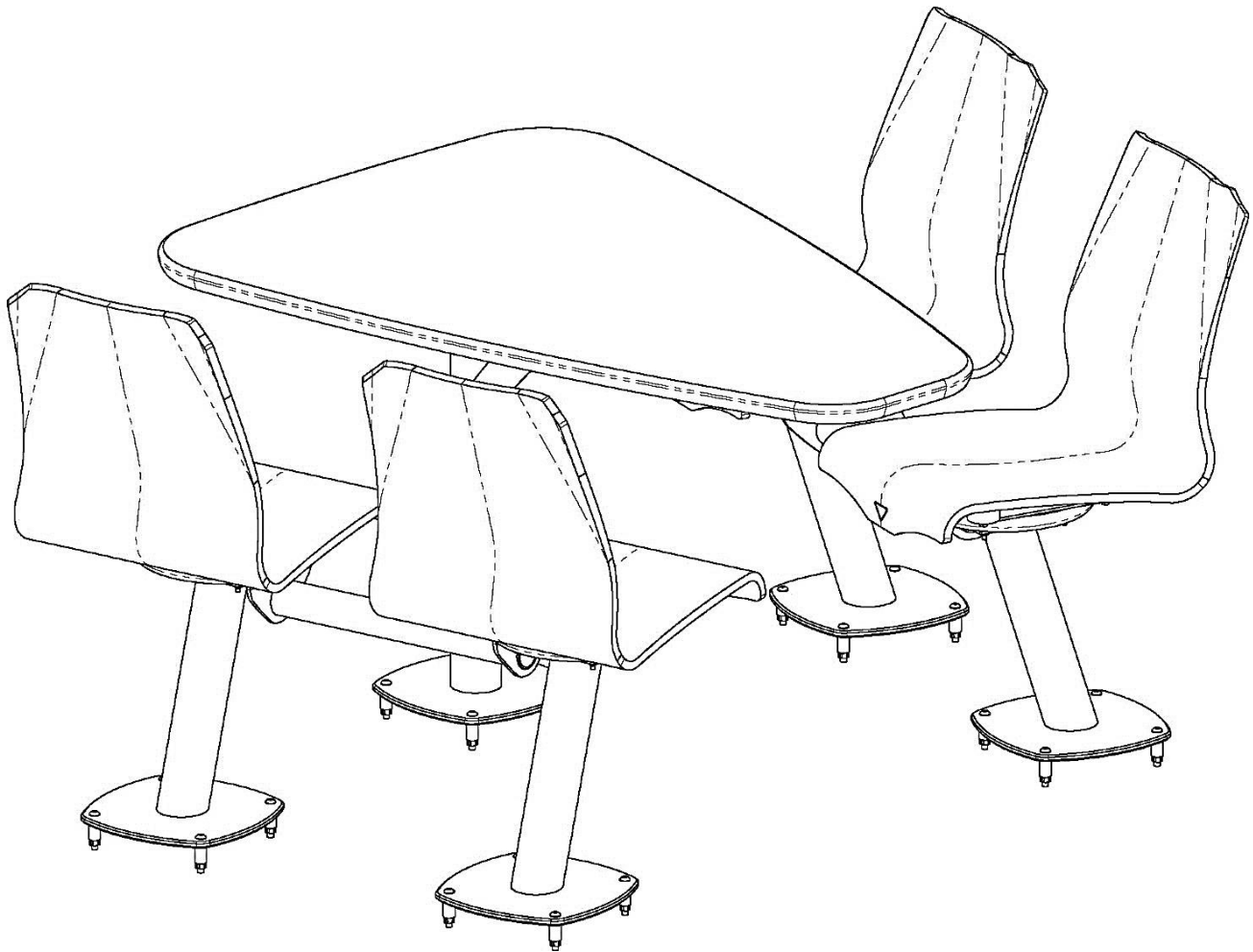
4-Seat Rectangular Cluster Table, 612-300-245

Item	Part No.	Description
1	263-003-142	BD Round Foot Pad
#2	813-549-247	BHSCS 3/8-16 X 1.50 ZN
*3	813-549-367	BHSCS 3/8-16 X 2.25 ZN
#4	709-009-053	3/8-16 Hex Drive Wood Insert
*5	709-009-052	3/8-16 Forway Anchor
6	951-148-008	SWM 1/4 ANSI BO

Item	Part No.	Description
7	945-548-000	FW 1/4 TBN BO
8	809-849-165	HHCS 1/4-20 X 1.00 GR8 PB
9	809-849-305	HHCS 1/4-20 X 1.88 GR8 BO
10	263-003-369	Harmony Seat Spacer
11	263-003-015-XX	Energy Seat

* - Item 2 *and* 4
or
 # - Item 3 *and* 5

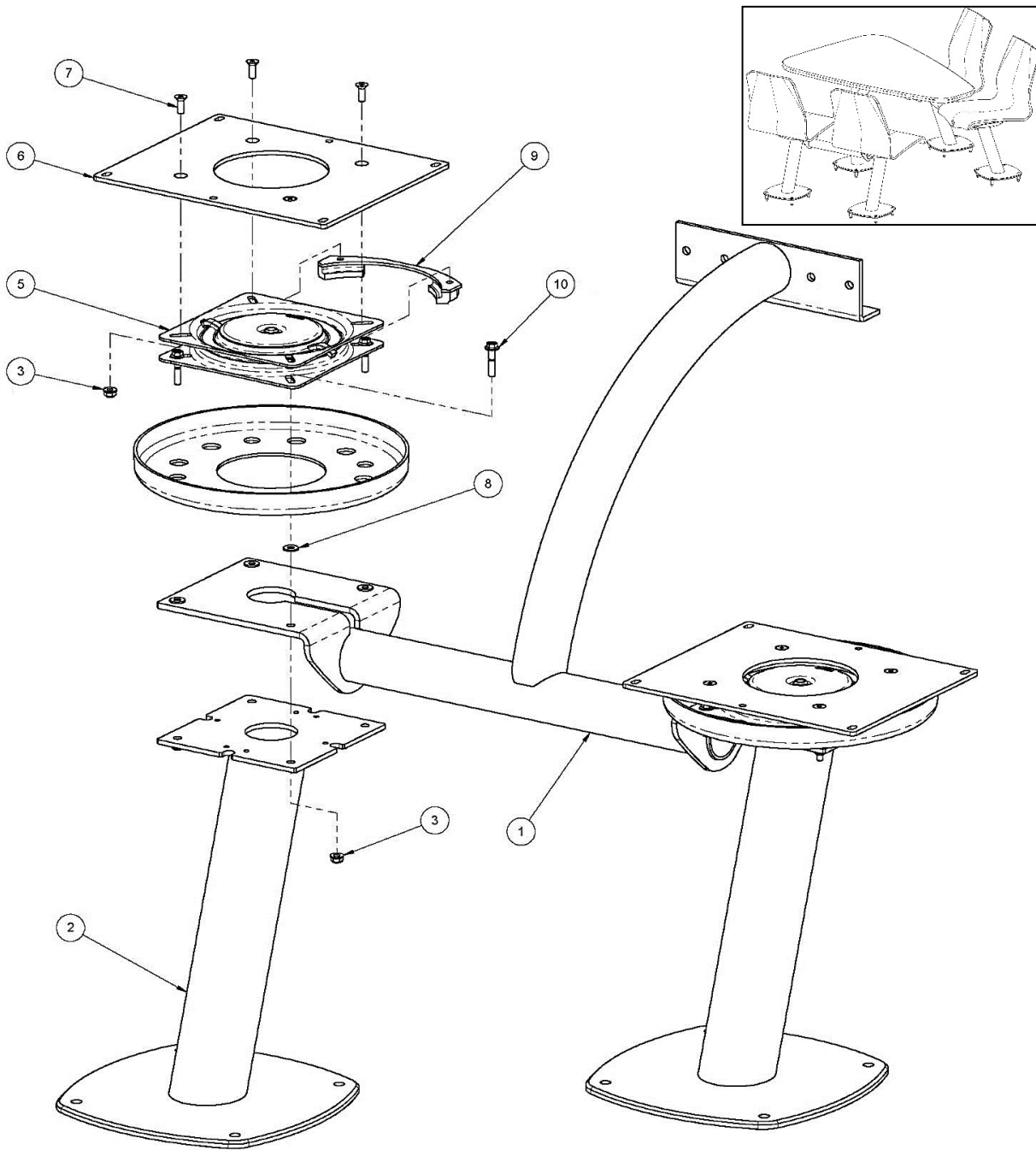




4-Seat Triangular Cluster Table, 612-300-246

Qty.	Part No.	Description
#4	263-003-280CT	Concrete Chair Pedestal Kit
*4	263-003-280WD	Wood Chair Pedestal Kit
#1	263-003-287CT	Concrete 30H Round Leg Kit
*1	263-003-287WD	Wood 30H Round Leg Kit
1	263-003-257	Cluster Hardware Kit
2	263-003-250	Cluster Weldment
1	263-003-198	Tri Cluster Weldment Bracket
1	263-003-007-XX	Harmony Triangle Table Top
4	263-003-015-XX	Energy Seat

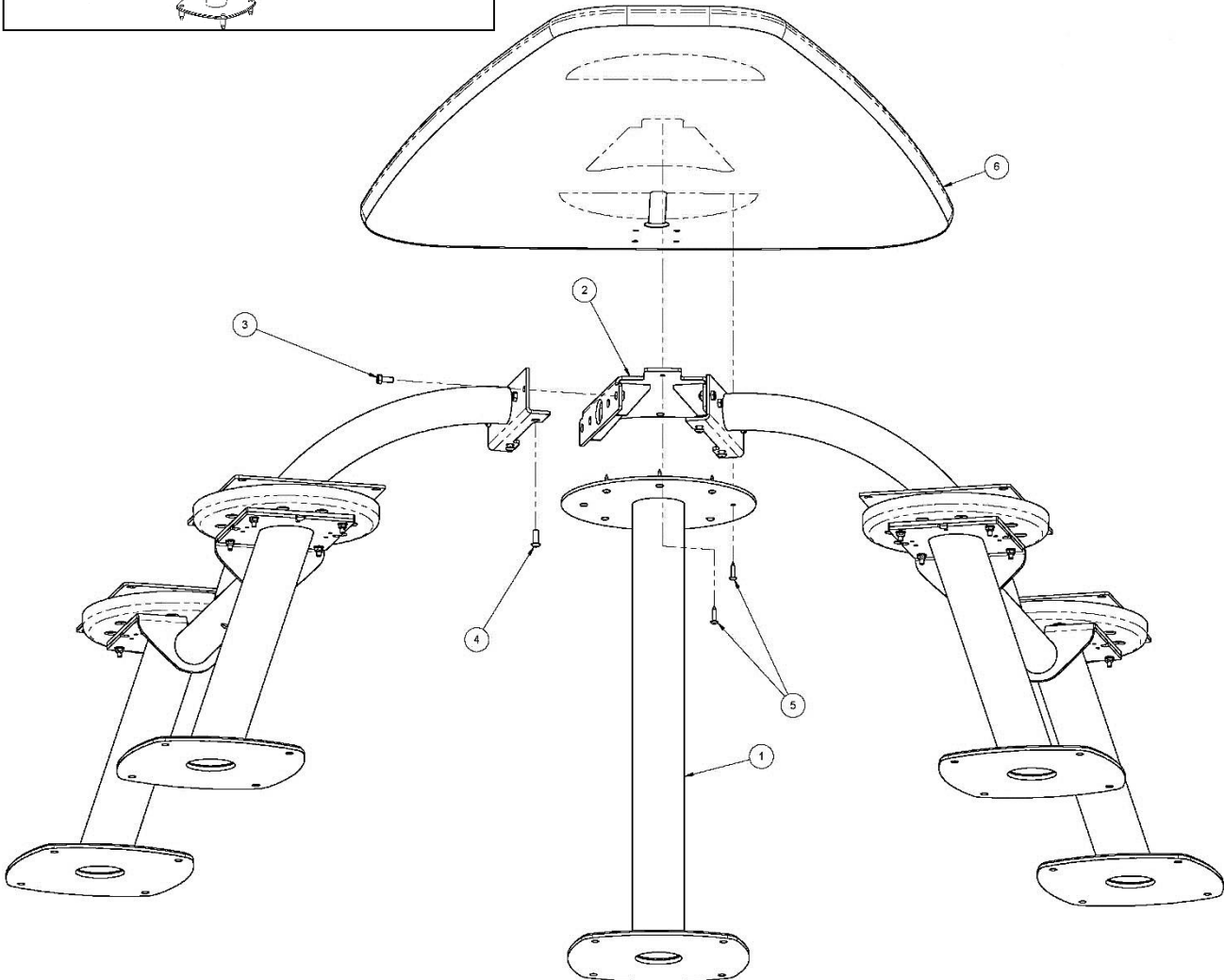
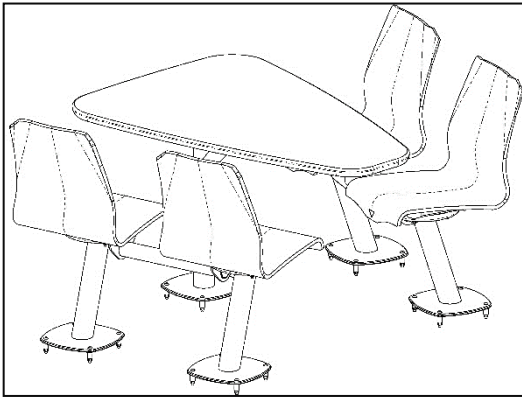
* - 263-003-280WD **and** 263-003-287WD
or
 # - 263-003-280CT **and** 263-003-287CT



4-Seat Triangular Cluster Table, 612-300-246

Item	Part No.	Description
1	263-003-250	Cluster Pair Weldment
2	263-003-111	BD TH-S Chair Pedestal
3	856-149-001	HFLN 1/4-20 BO STV
4	263-003-197	Harmony Swivel Cover
5	263-003-152	Dual Flange Flat Swivel

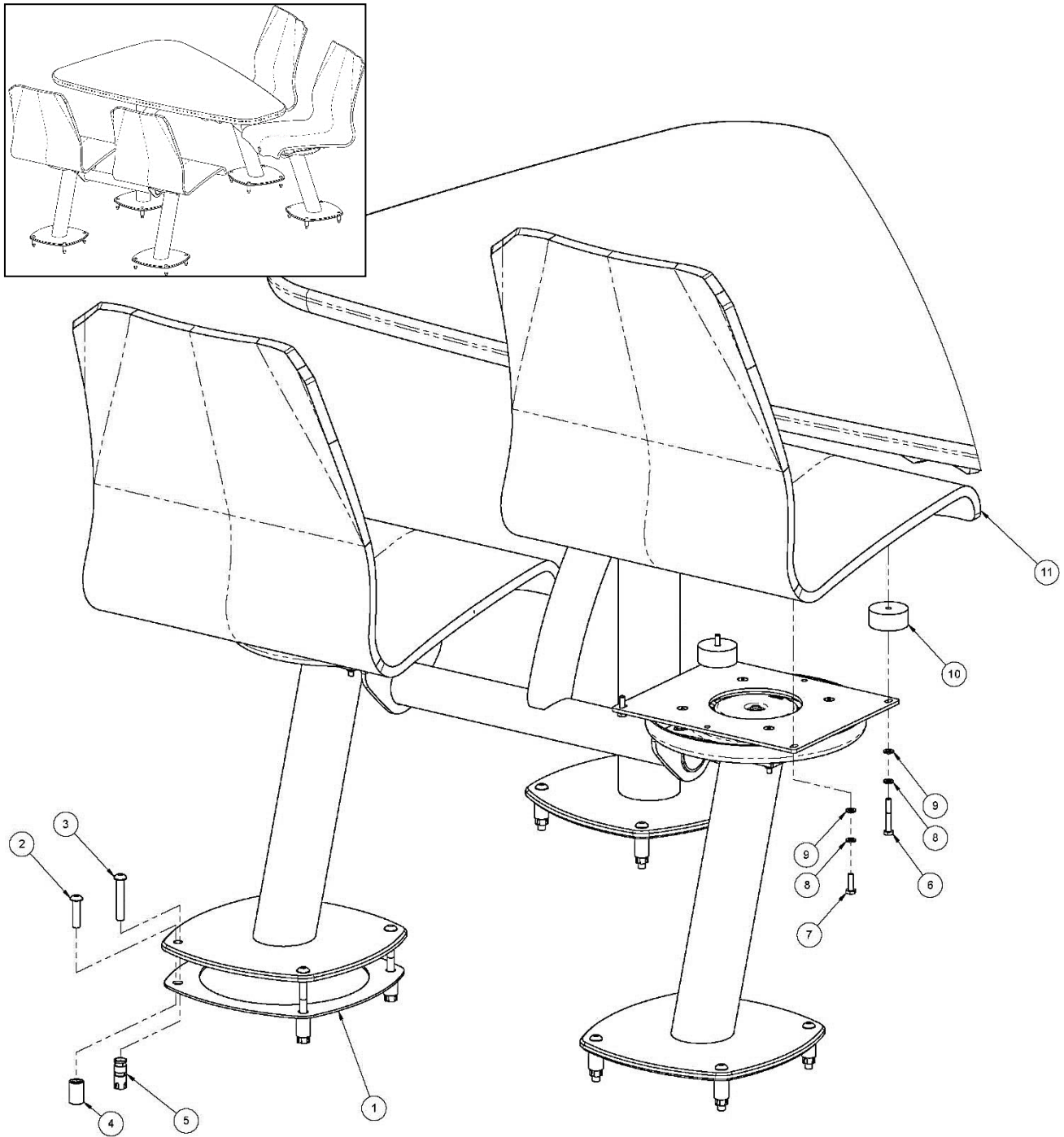
Item	Part No.	Description
7	263-003-196	Seat Adapter
8	808-849-120	FHSCS 1/4-20 X 0.75 BO
9	7050-028062-006	FW 1/4 SAE ZN
10	263-003-226	Cluster Stop Weldment
11	801-749-201	FBCS 1/4-20 X 1.25 GR8 BO



4-Seat Triangular Cluster Table, 612-300-246

Item	Part No.	Description
1	263-003-077	BD 30H Tube Weldment
2	263-003-198	Tri Cluster Weldment Bracket
3	809-857-125	HHCS 5/16-18 X 0.75 GR8 BO
4	808-557-140	BHSCS 5/16-18 X 0.88 BO
5	7024-711000-100	THPTS 10 X 1.00 ZN TYA
6	263-003-007-XX	Harmony Triangle Table Top





4-Seat Triangular Cluster Table, 612-300-246

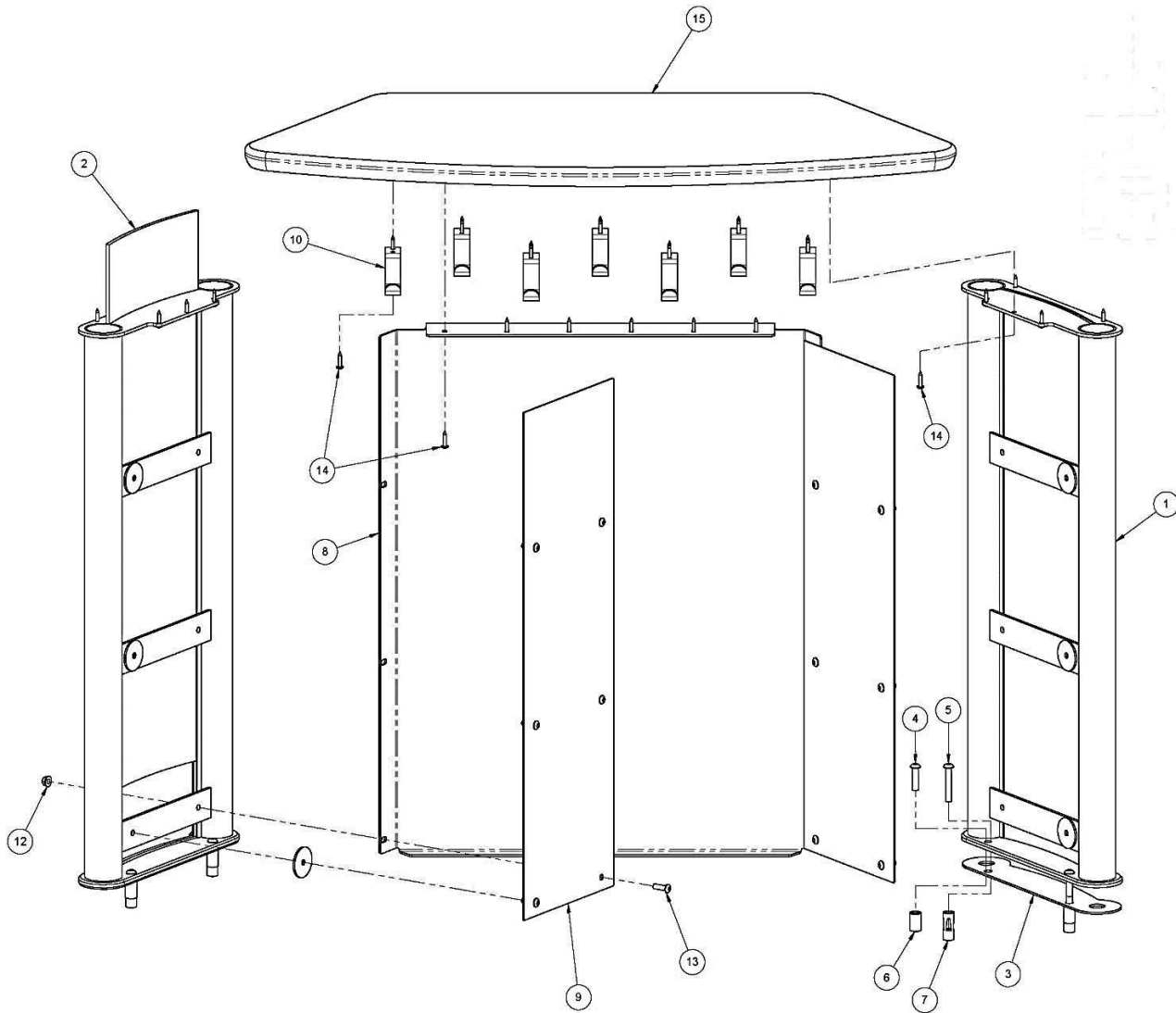
Item	Part No.	Description
1	263-003-142	BD Round Foot Pad
*2	813-549-247	BHSCS 3/8-16 X 1.50 ZN
*3	813-549-367	BHSCS 3/8-16 X 2.25 ZN
#4	709-009-053	3/8-16 Hex Drive Wood Insert
#5	709-009-052	3/8-16 Forway Anchor
6	809-849-305	HHCS 1/4-20 X 1.88 GR8 BO

Item	Part No.	Description
7	809-849-165	HHCS 1/4-20 X 1.00 GR8 BO
8	951-148-008	SWM 1/4 ANSI BO
9	945-548-000	FW 1/4 TBN BO
10	263-003-369	Harmony Seat Spacer
11	263-003-015-XX	Seat

* - Item 2 *or* 3

- Item 4 *or* 5





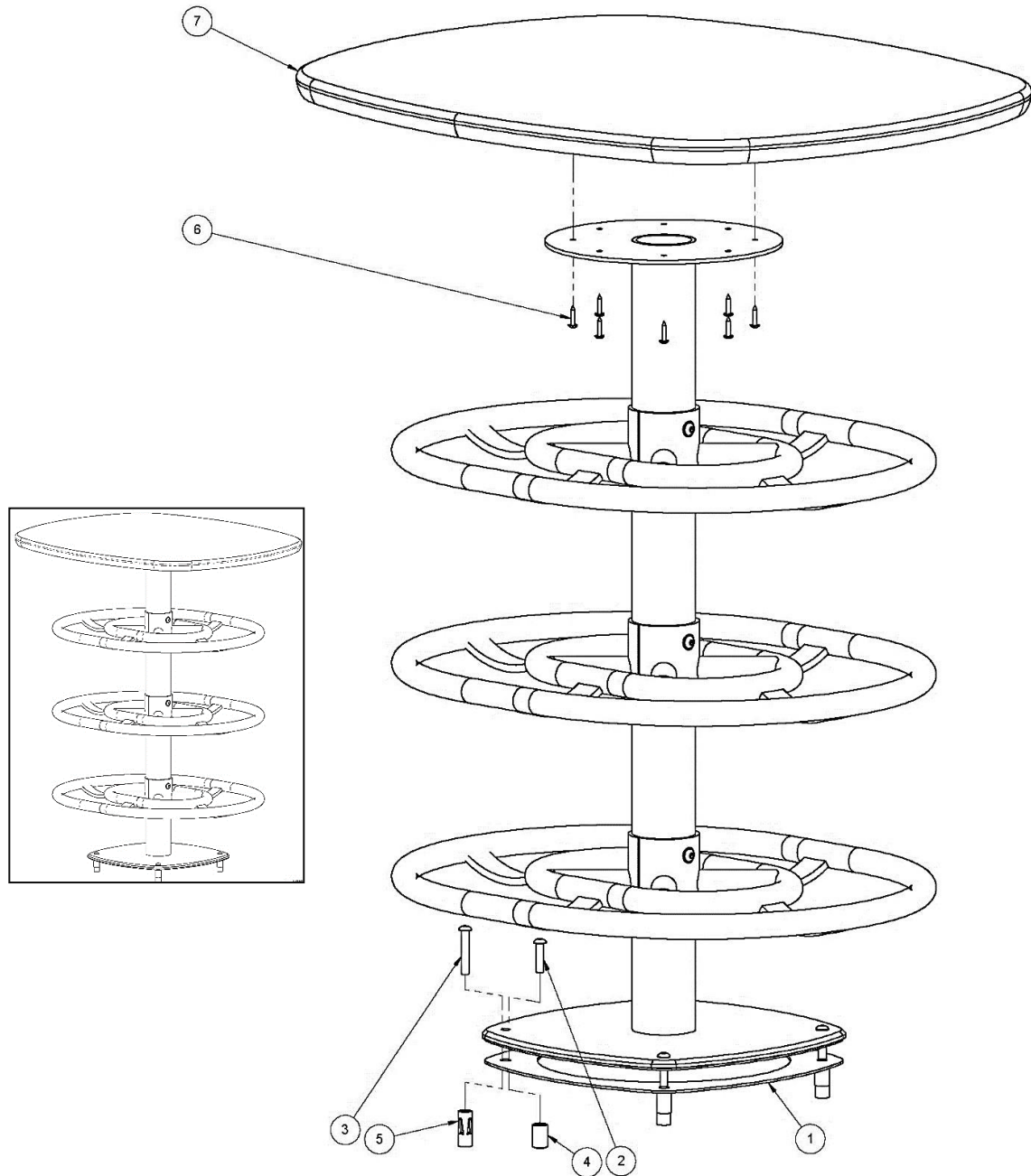
Coat Rack Wedge Table, 612-300-247

Item	Part No.	Description
1	263-003-086	Wedge Curved Leg Weldment
2	263-003-140-XX	Wedge Curved Panel
3	263-003-144	Narrow Curved Foot Pad
#4	813-549-247	BHSCS 3/8-16 X 1.50 ZN
*5	813-549-367	BHSCS 3/8-16 X 2.25 ZN
#6	709-009-053	3/8-16 Hex Drive Wood Insert
*7	709-009-052	3/8-16 Forway Anchor
8	263-003-019	Wedge Privacy Panel
9	263-003-254	Wedge Side Privacy Panel
10	263-003-189	J Coat Hook
11	263-003-235	Bracket Spacer
12	856-157-007	HFLN 5/16-18 ZN STV
13	808-557-167	BHSCS 5/16-18 X 1.00 ZN
14	7024-711000-100	THPTS 10 X 1.00 ZN TYA
15	263-003-009-XX	Harmony Wedge Table Top

* - 263-003-293CT-XX
 or
 # - 263-003-293WD-XX

Qty.	Part No.	Description
*2	263-003-293CT-XX	Concrete Wedge Leg Kit
#2	263-003-293WD-XX	Wood Wedge Leg Kit
1	263-003-213	Coat Hook Hardware Kit
1	263-003-019	Wedge Privacy Panel
2	263-003-254	Wedge Side Privacy Panel
1	263-003-009-XX	Harmony Wedge Table Top





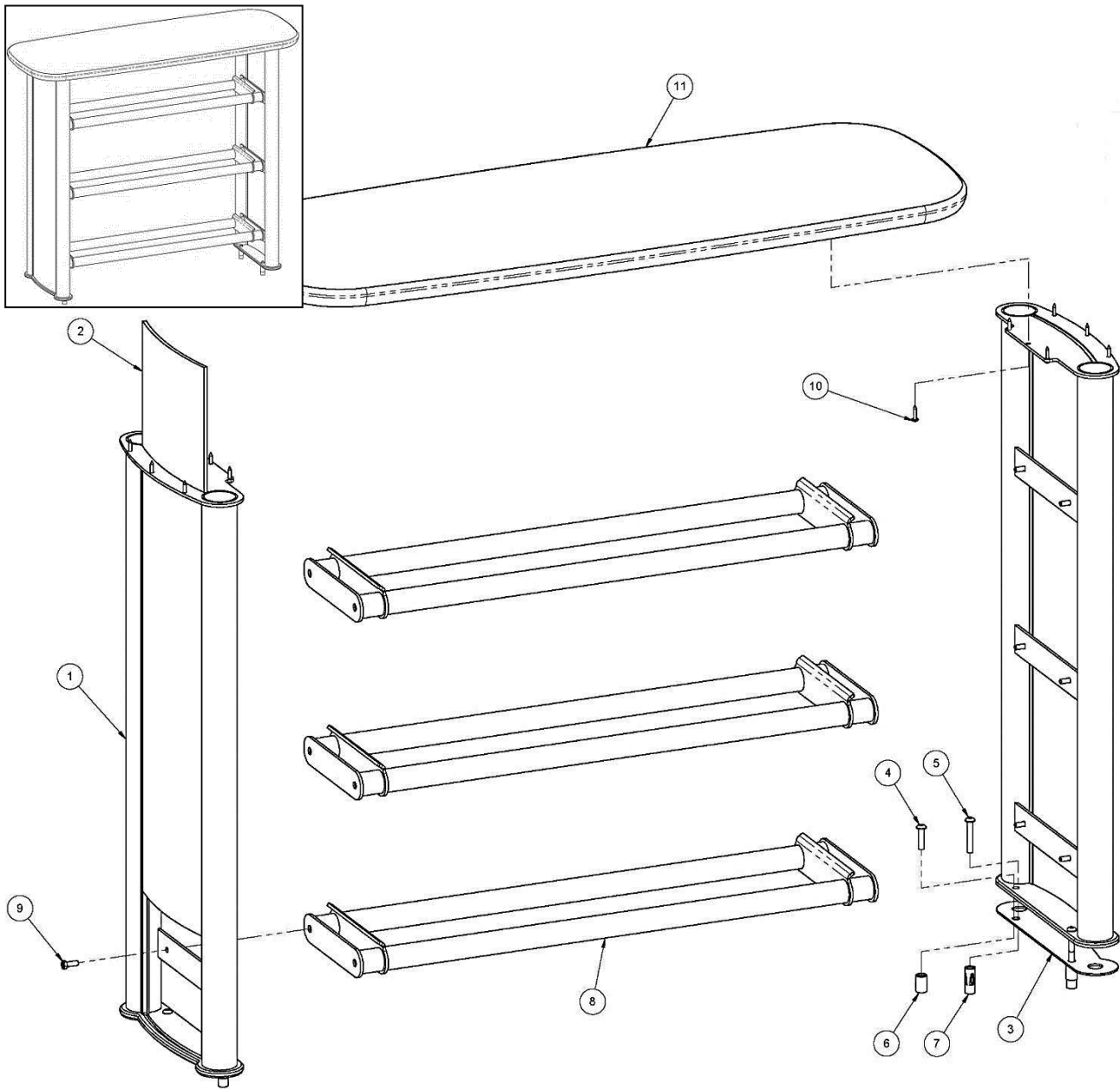
Circular Rack Table, 612-300-249

Item	Part No.	Description
1	263-003-259	Round Rack Foot Pad
*2	813-549-247	BHSCS 3/8-16 X 1.50 ZN
#3	813-549-367	BHSCS 3/8-16 X 2.25 ZN
*4	709-009-053	3/8-16 Hex Drive Wood Insert
#5	709-009-052	3/8-16 Forway Anchor
6	7024-711000-100	THPTS 10 X 1.00 ZN TYA
7	263-003-004-XX	Harmony Cocktail Table Top

* - 263-003-160WD
 or
 # - 263-003-160CT

Qty.	Part No.	Description
1	263-003-004-XX	Harmony Cocktail Table Top
*1	263-003-160WD	Wood BD CHT Ball Rack
#1	263-003-160CT	Concrete BD CHT Ball Rack





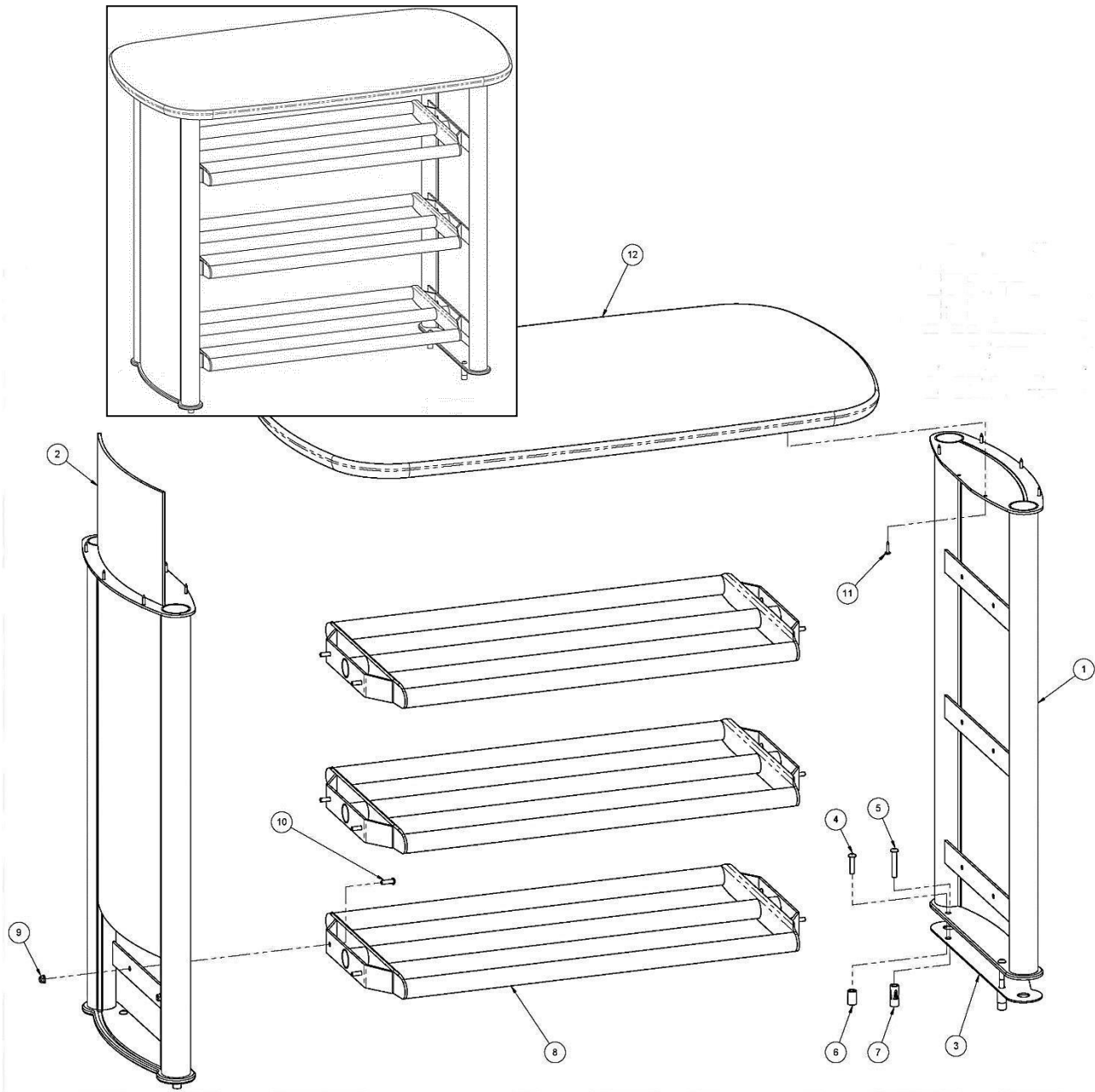
Narrow Rack Table, 612-300-250

Item	Part No.	Description
1	263-003-071	Narrow Curved Leg Weldment
2	263-003-136-XX	Narrow Curved Panel
3	263-003-144	Narrow Curved Foot Pad
#4	813-549-247	BHSCS 3/8-16 X 1.50 ZN
*5	813-549-367	BHSCS 3/8-16 X 2.25 ZN
#6	709-009-053	3/8-16 Hex Drive Wood Insert
*7	709-009-052	3/8-16 Forway Anchor
8	263-003-131	Inline Rack Weldment
9	809-857-145	HHCS 5/16-18 X 0.88 GR8 BO
10	7024-711000-100	THPTS 10 X 1.00 ZN TYA
11	263-003-002-XX	Inline Ball Rack Table Top

* - 263-003-288CT-XX
 or
 # - 263-003-288WD-XX

Qty.	Part No.	Description
*2	263-003-288CT-XX	Concrete Narrow Leg Kit
#2	263-003-288WD-XX	Wood Narrow Leg Kit
1	263-003-289	Inline Rack Kit
1	263-003-002-XX	Inline Ball Rack Table Top





Wide Rack Table, 612-300-251

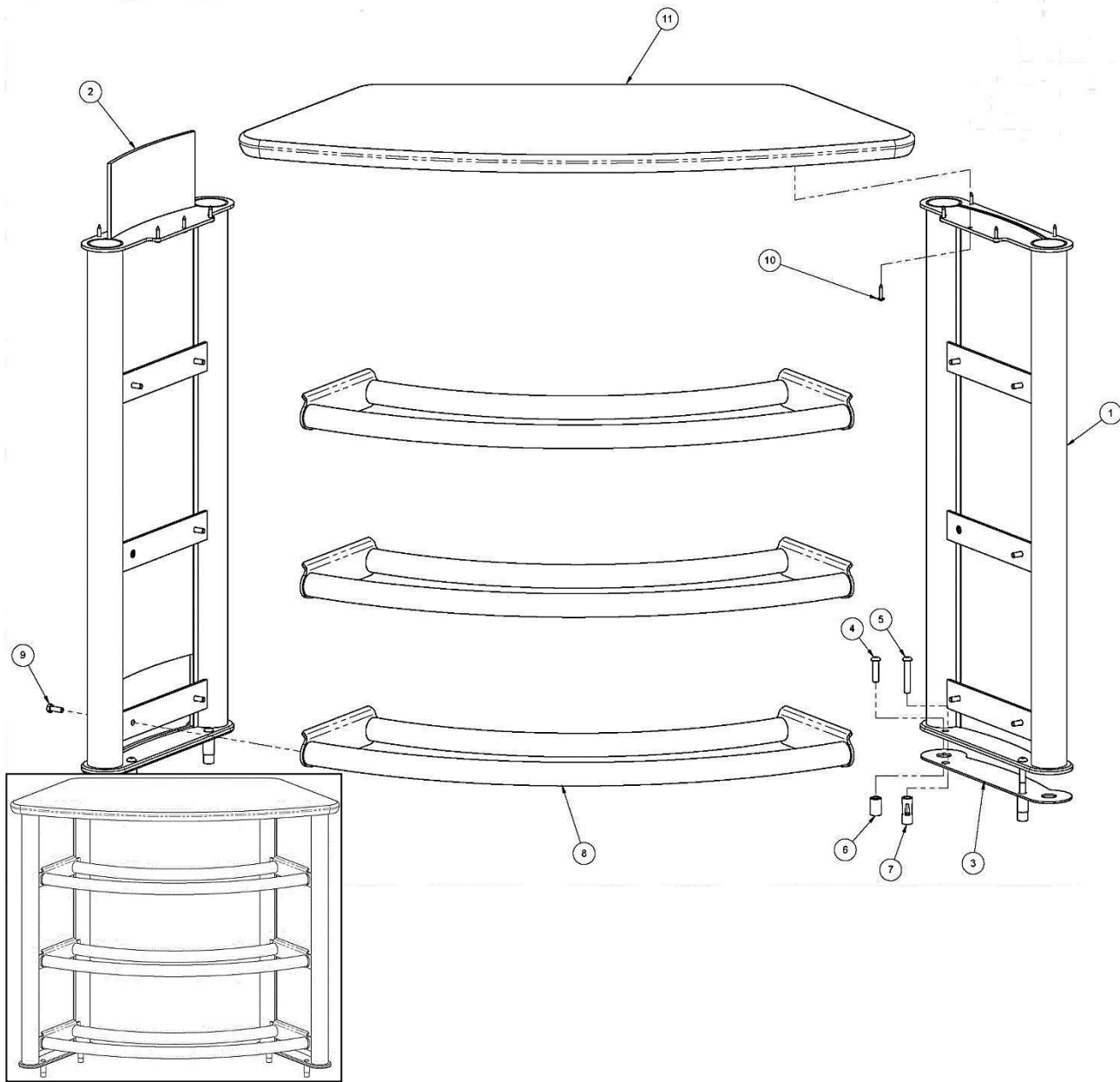
Item	Part No.	Description
1	263-003-075	Wide Curved Leg Weldment
2	263-003-137-XX	42H Wide Curved Panel
3	263-003-143	Wide Curved Foot Pad
#4	813-549-247	BHSCS 3/8-16 X 1.50 ZN
*5	813-549-367	BHSCS 3/8-16 X 2.25 ZN
#6	709-009-053	3/8-15 Hex Drive Wood Insert
*7	709-009-052	3/8-16 Forway Anchor
8	263-003-089	Wide Rack Assembly
9	856-157-007	HFLN 5/16-18 ZN STV
10	808-557-167	BHSCS 5/16-18 X 1.00 ZN

Item	Part No.	Description
11	7024-711000-100	THPTS 10 X 1.00 ZN TYA
12	263-003-005-XX	Harmony Double Rack Table Top

* - 263-003-294CT-XX or # - 263-003-294WD-XX

Qty.	Part No.	Description
*2	263-003-294CT-XX	Concrete Wide Rack Leg Kit
#2	263-003-294WD-XX	Wood Wide Rack Leg Kit
1	263-003-301	Wide Rack Kit
1	263-003-005-XX	Double Ball Rack Table Top





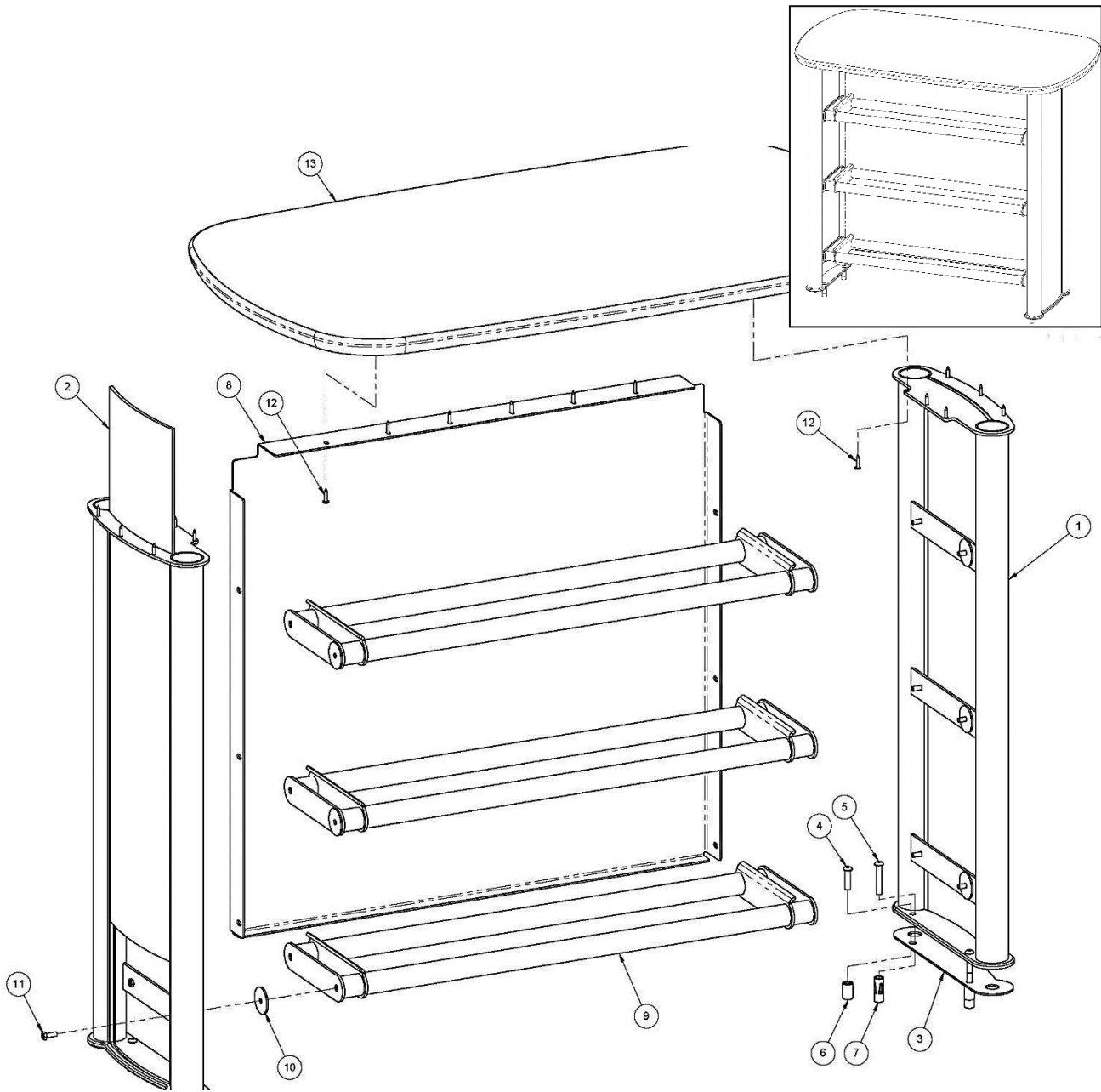
Wedge Rack Table, 612-300-252

Item	Part No.	Description
1	263-003-086	Wedge Curved Leg Weldment
2	263-003-140-XX	Wedge Curved Panel
3	263-003-144	Narrow Curved Foot Pad
#4	813-549-247	BHSCS 3/8-16 X 1.50 ZN
*5	813-549-367	BHSCS 3/8-16 X 2.25 ZN
#6	709-009-053	3/8-16 Hex Drive Wood Insert
*7	709-009-052	3/8-16 Forway Anchor
8	263-003-147	Wedge Rack Weldment
9	809-857-145	HHCS 5/16-18 X 0.88 GR8 BO
10	7024-711000-100	THPTS 10 X 1.00 ZN TYA
11	263-003-009-XX	Harmony Wedge Table Top

* - 263-003-293CT-XX
 or
 # - 263-003-293WD-XX

Qty.	Part No.	Description
*2	263-003-293CT-XX	Concrete Wedge Leg Kit
#2	263-003-293WD-XX	Wood Wedge Leg Kit
1	263-003-295	Wedge Rack Kit
1	263-003-009-XX	Harmony Wedge Table Top





Rectangular Rack Concourse Table, 612-300-254

Item	Part No.	Description
1	263-003-071	Narrow Curved Leg Weldment
2	263-003-136-XX	Narrow Curved Panel
3	263-003-144	Narrow Curved Foot Pad
#4	813-549-247	BHSCS 3/8-16 X 1.50 ZN
*5	813-549-367	BHSCS 3/8-16 X 2.25 ZN
#6	709-009-053	3/8-16 Hex Drive Wood insert
	709-009-052	3/8-16 Forway Anchor
8	263-003-018	Privacy Panel
9	263-003-131	Inline Rack Weldment
10	263-003-235	Rack Bracket Spacer
11	809-857-145	HHCS 5/16-18 X 0.88 GR8 BO
12	7024-711000-100	THPTS 10 X 1.00 ZN TYA
13	263-003-005-XX	Harmony Double Rack Table Top

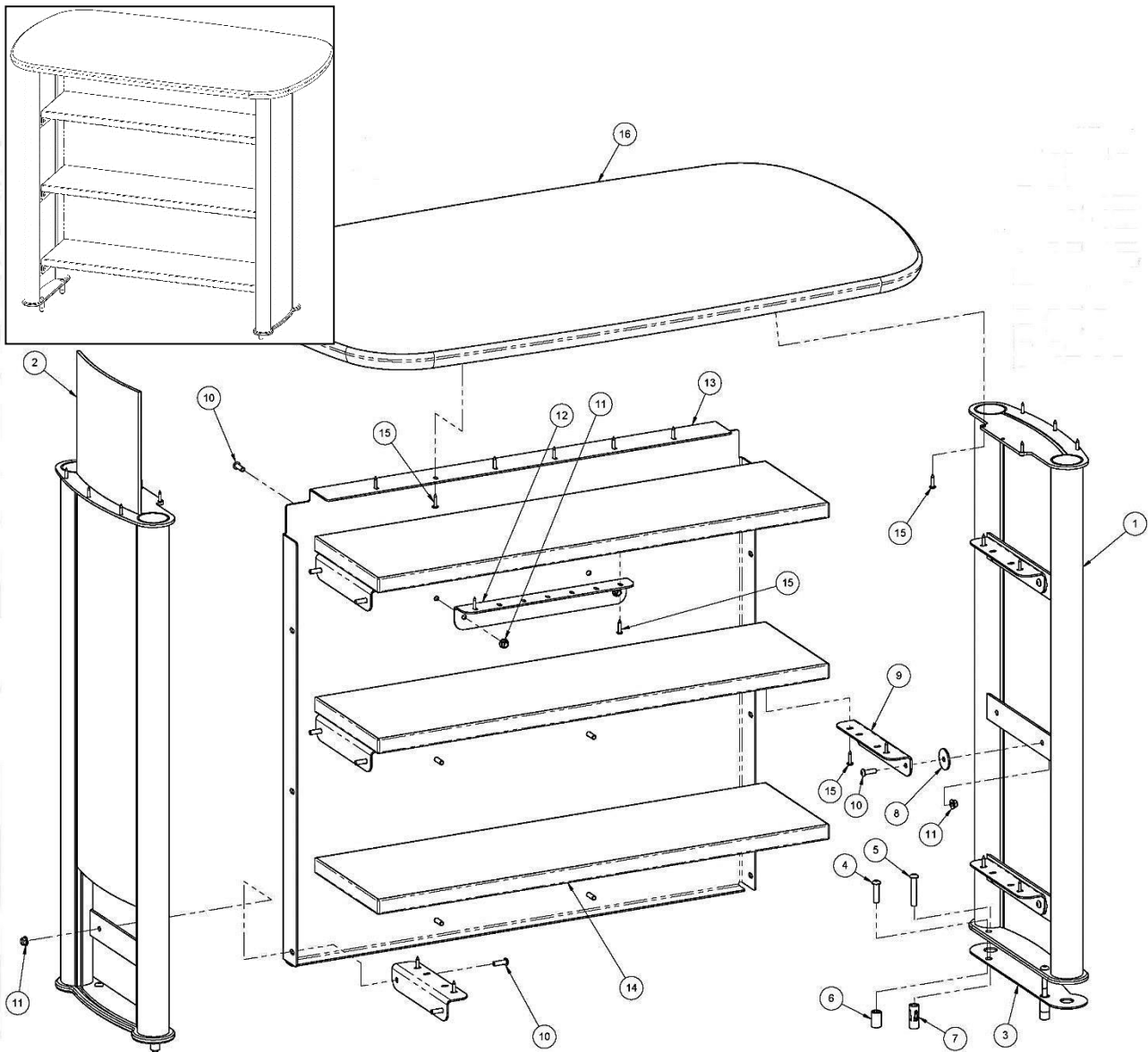
* - 263-003-288CT-XX

or

- 263-003-288WD-XX

Qty.	Part No.	Description
*2	263-003-288CT-XX	Concrete Narrow Leg Kit
#2	263-003-288WD-XX	Wood Narrow Leg Kit
1	263-003-290	Concourse Rack Kit
1	263-003-018	Privacy Panel
1	263-003-005-XX	Double Ball Rack Table Top





Rectangular Shelves Storage Concourse Table, 612-300-255

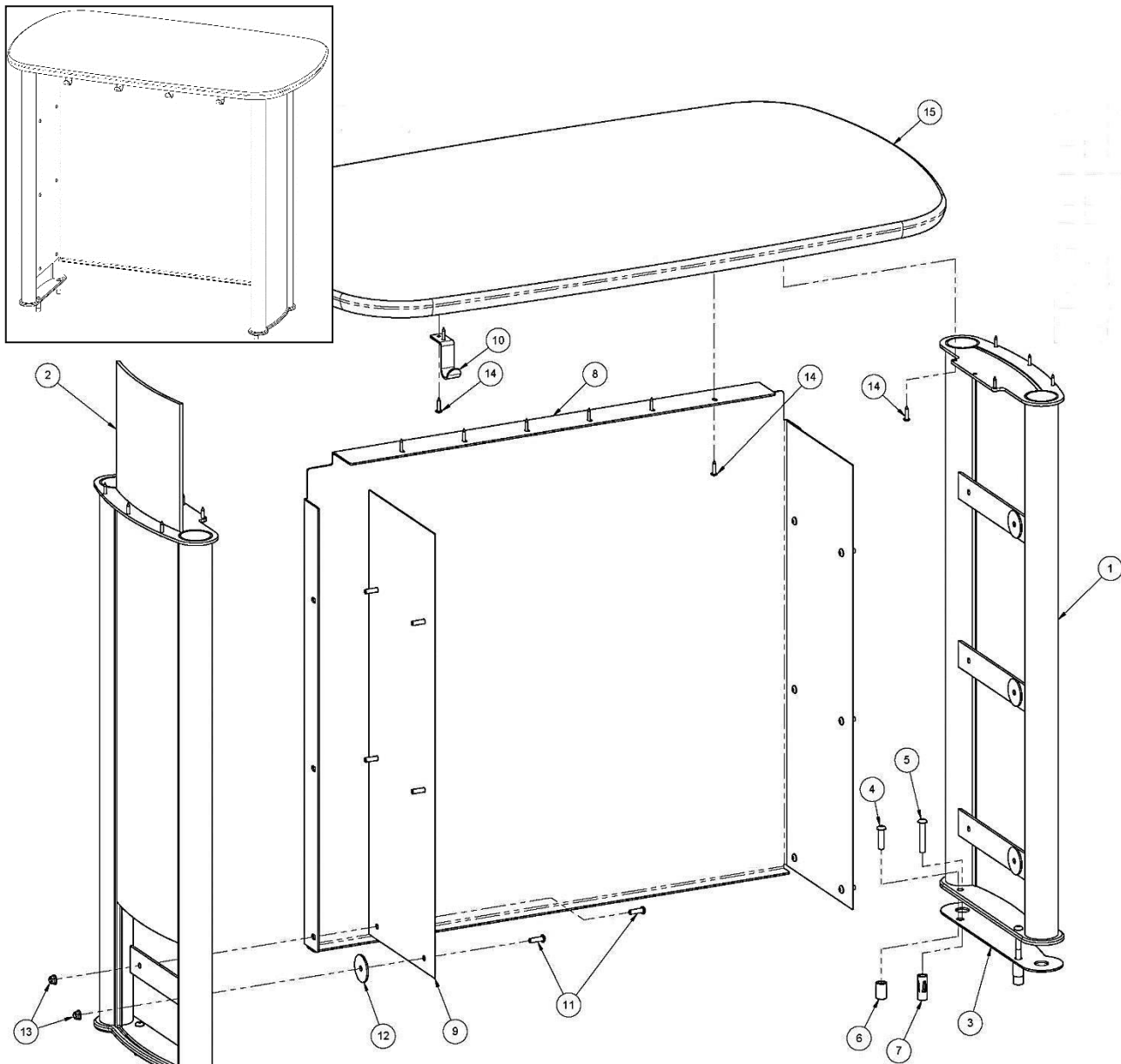
Item	Part No.	Description
1	263-003-071	Narrow Curved Leg Weldment
2	263-003-136-XX	Narrow Curved Panel
3	263-003-144	Narrow Curved Foot Pad
#4	813-549-247	BHSCS 3/8-16 X 1.50 ZN
*5	813-549-367	BHSCS 3/8-16 X 2.25 ZN
#6	709-009-053	3/8-16 Hex Drive Wood Insert
*7	709-009-052	3/8-16 Forway Anchor
8	263-003-153	Shelf Bracket Spacer
9	263-003-155	Shelf End Bracket
10	808-557-167	BHSCS 5/16-18 X 1.00 ZN
11	856-157-007	HFLN 5/16-18 ZN STV
12	263-003-156	Shelf Panel Bracket
13	263-003-169	Shelves Privacy Panel
14	263-003-174-XX	Concourse Table Shelf

Item	Part No.	Description
15	7024-711000-100	THPTS 10 X 1.00 ZN TYA
16	263-003-005-XX	Harmony Double Rack Table Top

* - 263-003-288CT-XX
 or
 # - 263-003-288WD-XX

Qty.	Part No.	Description
*2	263-003-288CT-XX	Concrete Narrow Leg Kit
#2	263-003-288WD-XX	Wood Narrow Leg Kit
1	263-003-223	Short Shelves Hardware Kit
1	263-003-224	Long Shelves Hardware Kit
1	263-003-169	Shelves Privacy Panel
3	263-003-174-XX	Concourse Table Shelf
1	263-003-005-XX	Double Ball Rack Table Top





Rectangular Coat Rack Concourse Table, 612-300-256

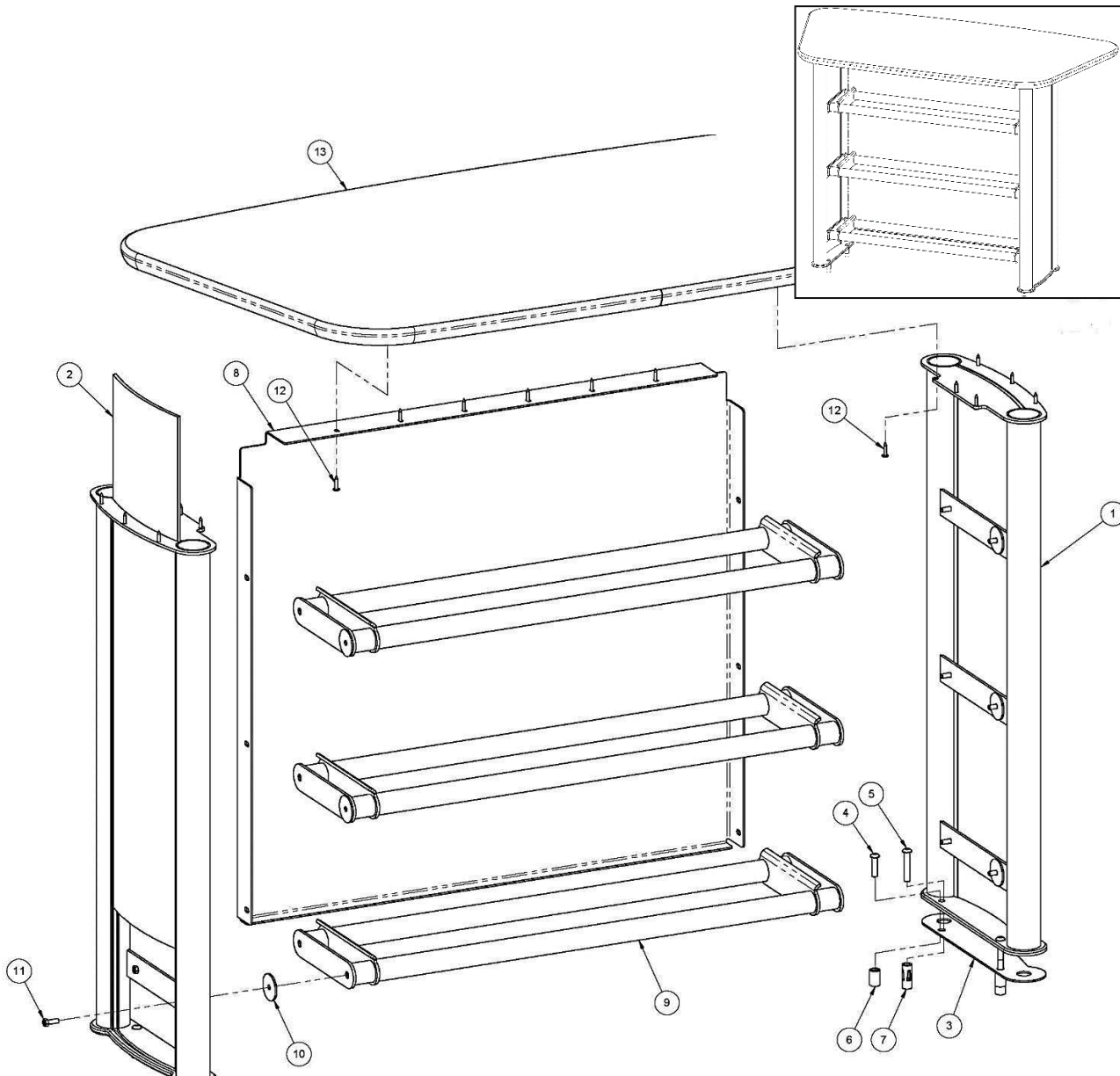
Item	Part No.	Description
1	263-003-071	Narrow Curved Leg Weldment
2	263-003-136-XX	Narrow Curved Panel
3	263-003-144	Narrow Curved Foot Pad
#4	813-549-247	BHSCS 3/8-16 X 1.50 ZN
*5	813-549-367	BHSCS 3/8-16 X 2.25 ZN
#6	709-009-053	3/8-16 Hex Drive Wood Insert
*7	709-009-052	3/8-16 Forway Anchor
8	263-003-018	Privacy Panel
9	263-003-255	Concourse Side Privacy Panel
10	263-003-189	J Coat Hook
11	808-557-167	BHSCS 5/16-18 X 1.00 ZN
12	263-003-235	Rack Bracket Spacer
13	856-157-007	HFLN 5/16-18 ZN STV

Item	Part No.	Description
14	7024-711000-100	THPTS 10 X 1.00 ZN TYA
15	263-003-005-XX	Harmony Double Rack Table Top

* - 263-003-288CT-XX
 or
 # - 263-003-288WD-XX

Qty.	Part No.	Description
*2	263-003-288CT-XX	Concrete Narrow Leg Kit
#2	263-003-288WD-XX	Wood Narrow Leg Kit
1	263-003-213	Coat Hook Hardware Kit
1	263-003-018	Privacy Panel
2	263-003-255	Concourse Side Privacy Panel
1	263-003-005-XX	Double Ball Rack Table Top





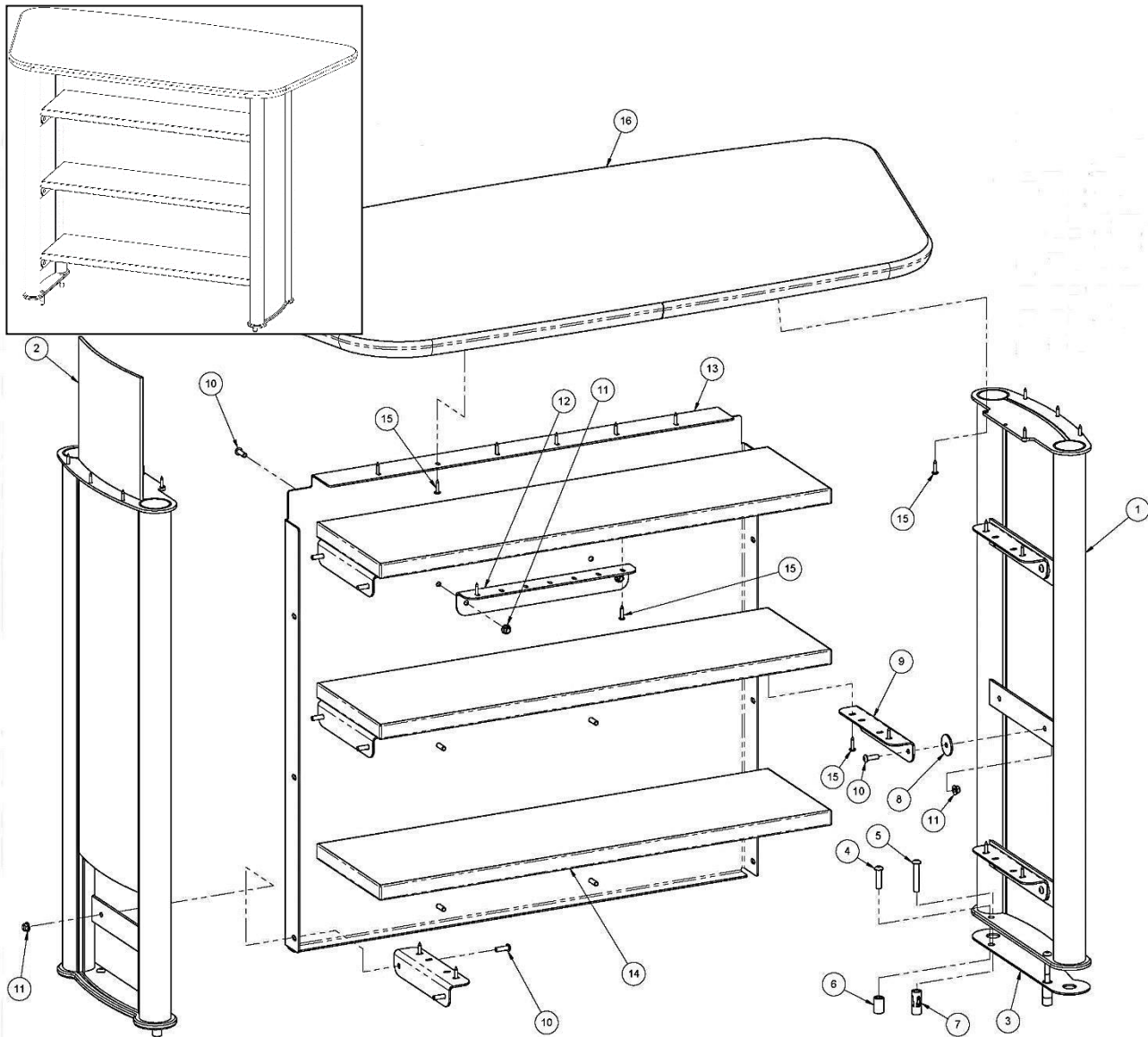
Trapezoidal Rack Concourse Table, 612-300-257

Item	Part No.	Description
1	263-003-071	Narrow Curved Leg Weldment
2	263-003-136-XX	Narrow Curved Panel
3	263-003-144	Narrow Curved Foot Pad
#4	813-549-247	BHSCS 3/8-16 X 1.50 ZN
*5	813-549-367	BHSCS 3/8-16 X 2.25 ZN
#6	709-009-053	3/8-16 Hex Drive Wood Insert
*7	709-009-052	3/8-16 Forway Anchor
8	263-003-018	Privacy Panel
9	263-003-131	Inline Rack Weldment
10	263-003-235	Rack Bracket Spacer
11	809-857-145	HHCS 5/16-18 X 0.88 GR8 BO
12	7024-711000-100	THPTS 10 X 1.00 ZN TYA
13	263-003-006-XX	Harmony Trapezoid Table Top

* - 263-003-288CT-XX
or
 # - 263-003-288WD-XX

Qty.	Part No.	Description
*2	263-003-288CT-XX	Concrete Narrow Leg Kit
#2	263-003-288WD-XX	Wood Narrow Leg Kit
1	263-003-290	Concourse Rack Kit
1	263-003-018	Privacy Panel
1	263-003-006-XX	Harmony Trapezoid Table Top





Trapezoidal Shelves Storage Concourse Table, 612-300-258

Item	Part No.	Description
1	263-003-071	Narrow Curved Leg Weldment
2	263-003-136-XX	Narrow Curved Panel
3	263-003-144	Narrow Curved Foot Pad
#4	813-549-247	BHSCS 3/8-16 X 1.50 ZN
*5	813-549-367	BHSCS 3/8-16 X 2.25 ZN
#6	709-009-053	3/8-16 Hex Drive Wood Insert
*7	709-009-052	3/8-16 Forway Anchor
8	263-003-153	Shelf Bracket Spacer
9	263-003-155	Shelf End Bracket
10	808-557-167	BHSCS 5/16-18 X 1.00 ZN
11	856-157-007	HFLN 5/16-18 ZN STV
12	263-003-156	Shelf Panel Bracket
13	263-003-169	Shelves Privacy Panel
14	263-003-174-XX	Concourse Table Shelf

Item	Part No.	Description
15	7024-711000-100	THPTS 10 X 1.00 ZN TYA
16	263-003-006-XX	Harmony Trapezoid Table Top

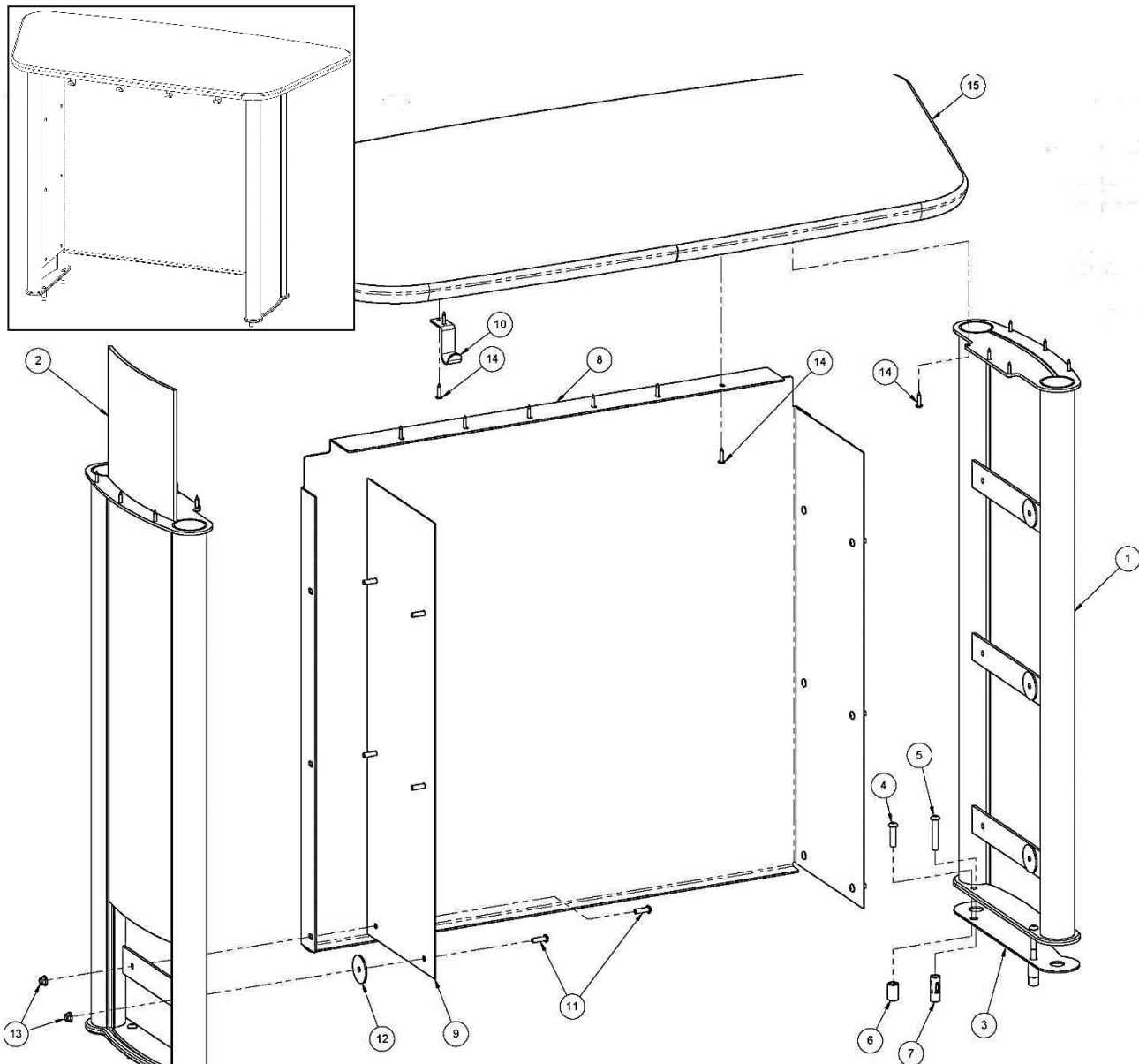
* - 263-003-288CT-XX

or

- 263-003-288WD-XX

Qty.	Part No.	Description
*2	263-003-288CT-XX	Concrete Narrow Leg Kit
#2	263-003-288WD-XX	Wood Narrow Leg Kit
1	263-003-223	Short Shelves Hardware Kit
1	263-003-224	Long Shelves Hardware Kit
1	263-003-169	Shelves Privacy Panel
3	263-003-174-XX	Concourse Table Shelf
1	263-003-006-XX	Harmony Trapezoid Table Top





Trapezoidal Coat Rack Concourse Table, 612-300-259

Item	Part No.	Description
1	263-003-071	Narrow Curved Leg Weldment
2	263-003-136-XX	Narrow Curved Panel
3	263-003-144	Narrow Curved Foot Pad
#4	813-549-247	BHSCS 3/8-16 X 1.50 ZN
*5	813-549-367	BHSCS 3/8-16 X 2.25 ZN
#6	709-009-053	3/8-16 Hex Drive Wood Insert
*7	709-009-052	3/8-16 Forway Anchor
8	263-003-018	Privacy Panel
9	263-003-255	Concourse Side Privacy Panel
10	263-003-189	J Coat Hook
11	808-557-167	BHSCS 5/16-18 X 1.00 ZN
12	263-003-235	Rack Bracket Spacer
13	856-157-007	HFLN 5/16-18 ZN STV

Item	Part No.	Description
14	7024-711000-100	THPTS 10 X 1.00 ZN TYA
15	263-003-006-XX	Harmony Trapezoid Table Top

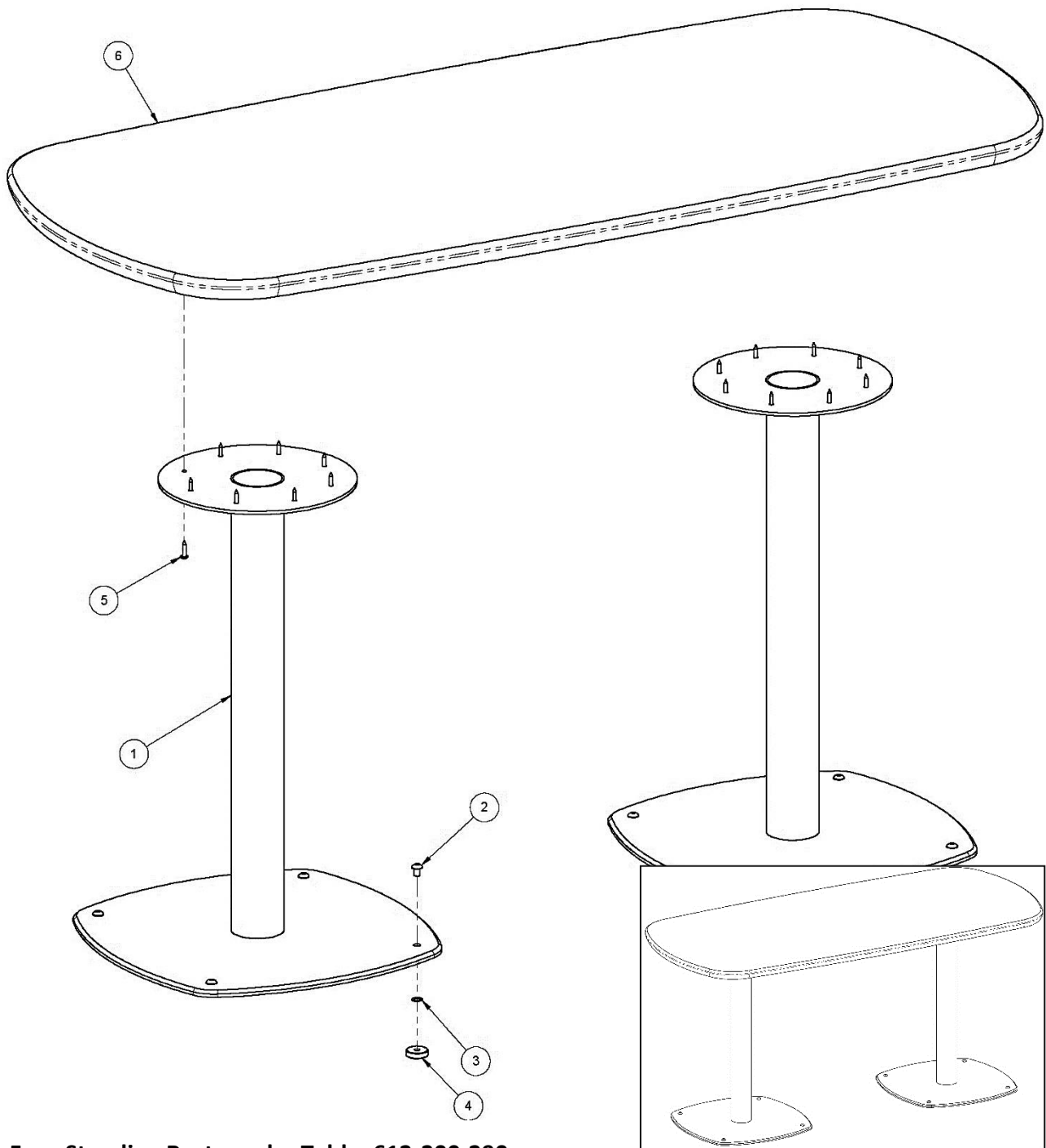
* - 263-003-288CT-XX

or

- 263-003-288WD-XX

Qty.	Part No.	Description
*2	263-003-288CT-XX	Concrete Narrow Leg Kit
#2	263-003-288WD-XX	Wood Narrow Leg Kit
1	263-003-213	Coat Hook Hardware Kit
1	263-003-018	Privacy Panel
2	263-003-255	Concourse Side Privacy Panel
1	263-003-006-XX	Harmony Trapezoid Table Top



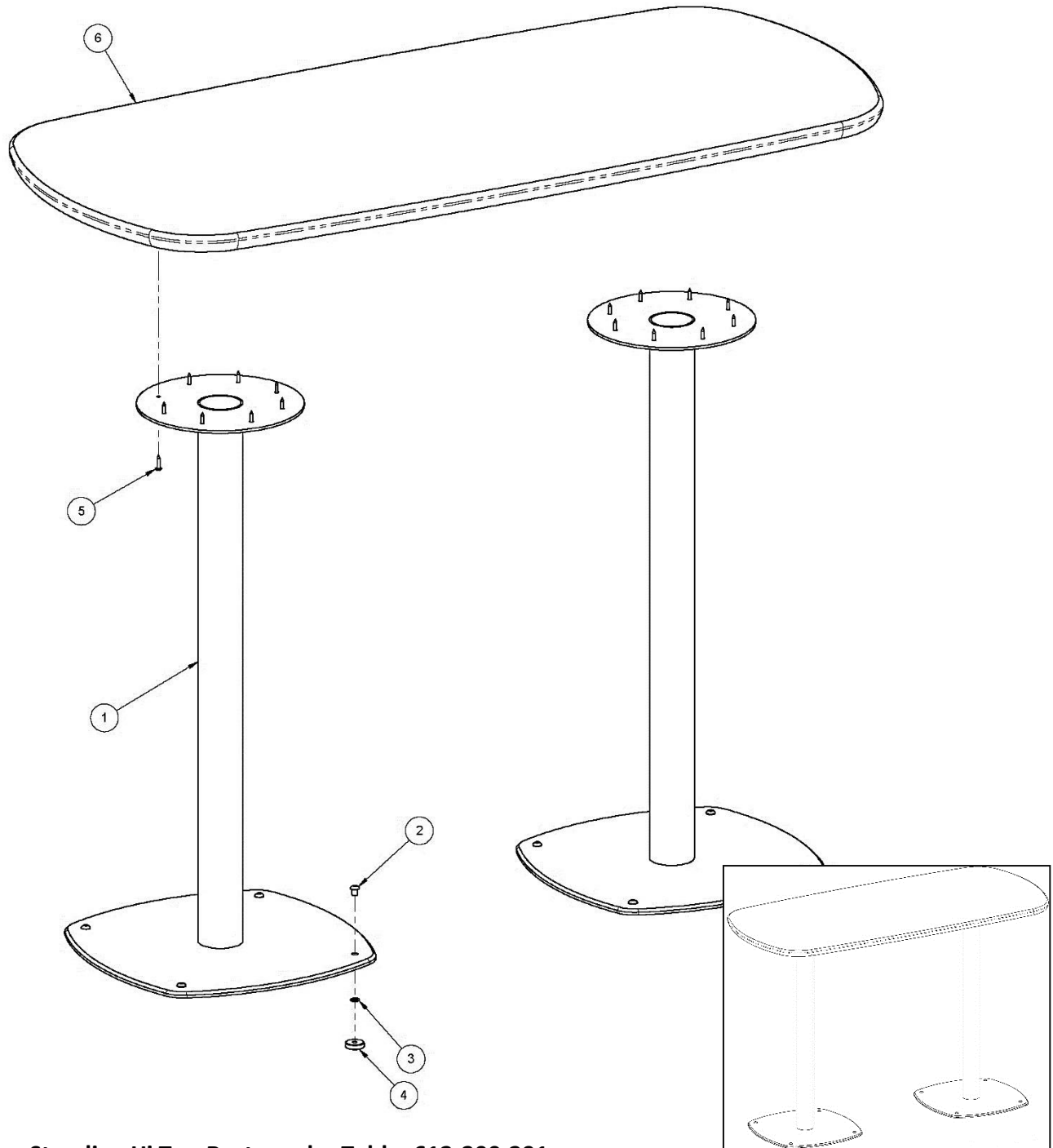


Free-Standing Rectangular Table, 612-300-290

Item	Part No.	Description
1	263-003-079	FS 30H Tube Weldment
2	808-566-087	BHSCS 3/8-24 X 0.50 ZN
3	7052-039062-003	FW 0.39 X 0.63 X 0.03 ZN
4	263-003-269	Harmony Foot Glide
5	7024-711000-100	THPTS 10 X 1.00 ZN TYA
6	263-003-000-XX	Harmony 4-Seat Table Top

Qty.	Part No.	Description
1	263-003-000-XX	Harmony 4-Seat Table Top
2	263-003-298	FS 30H Round Leg Kit



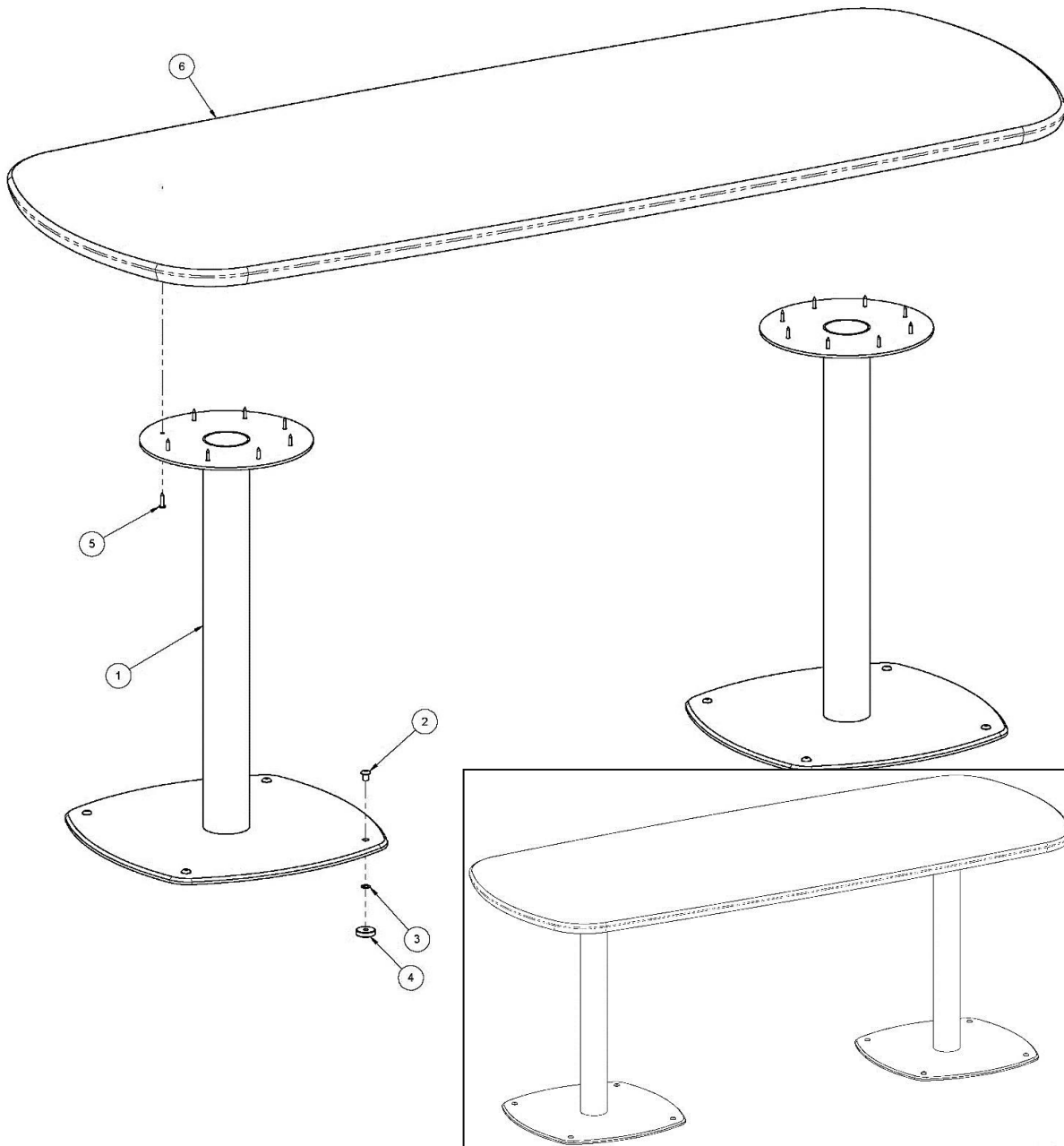


Free-Standing Hi Top Rectangular Table, 612-300-291

Item	Part No.	Description
1	263-003-085	FS 42H Tube Weldment
2	808-566-087	BHSCS 3/8-24 X 0.50 ZN
3	7052-039062-003	FW 0.39 X 0.63 X 0.03 ZN
4	263-003-269	Harmony Foot Glide
5	7024-711000-100	THPTS 10 X 1.00 ZN TYA
6	263-003-000-XX	Harmony 4-Seat Table Top

Qty.	Part No.	Description
1	263-003-000-XX	Harmony 4-Seat Table Top
2	263-003-299	FS 42H Round Leg Kit



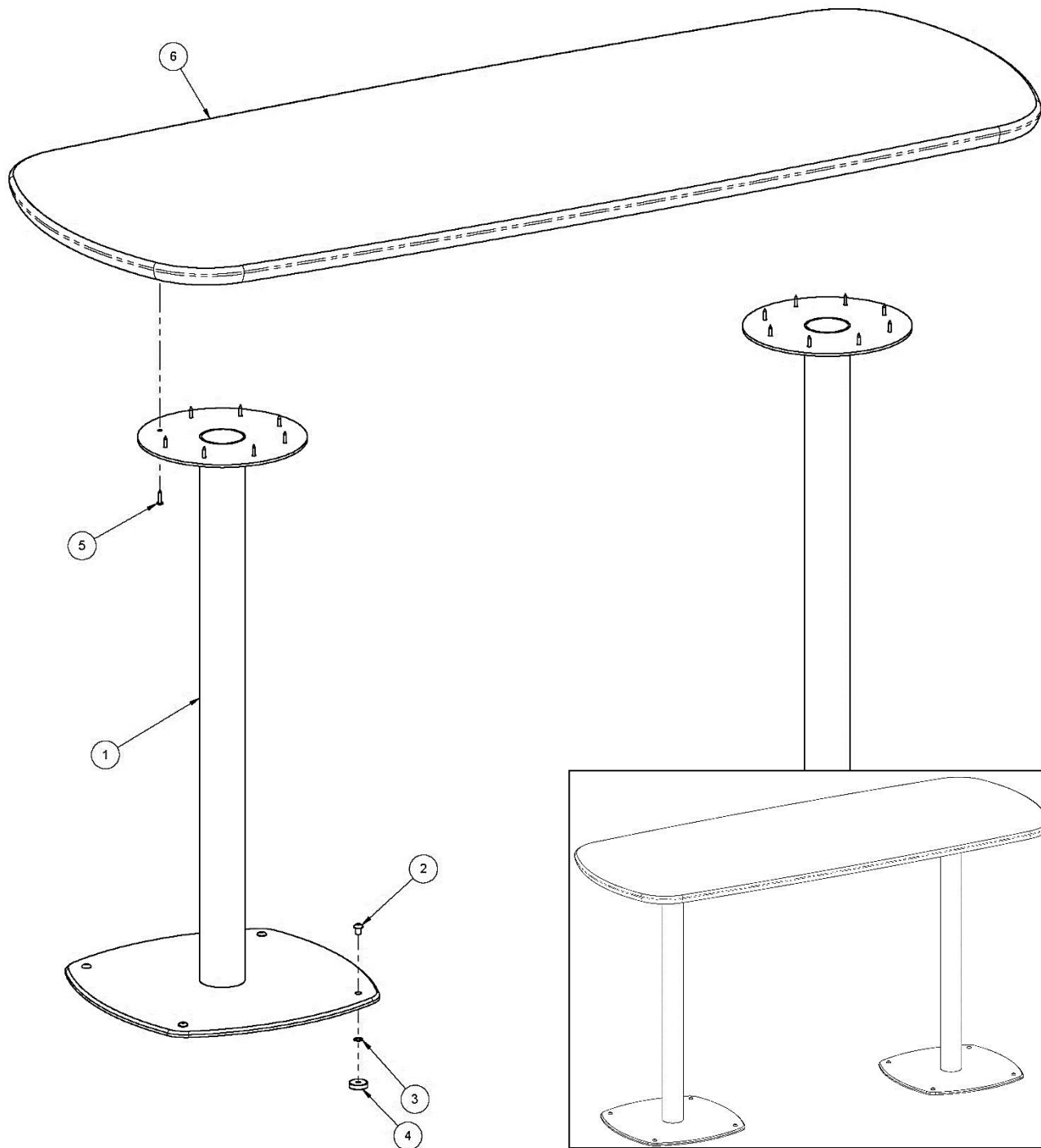


Free-Standing Long Table, 612-300-292

Item	Part No.	Description
1	263-003-079	FS 30H Tube Weldment
2	808-566-087	BHSCS 3/8-24 X 0.50 ZN
3	7052-039062-003	FW 0.39 X 0.63 X 0.03 ZN
4	263-003-269	Harmony Foot Glide
5	7024-711000-100	THPTS 10 X 1.00 ZN TYA
6	263-003-001-XX	Harmony 6-Seat Table Top

Qty.	Part No.	Description
1	263-003-001-XX	Harmony 6-Seat Table Top
2	263-003-298	FS 30H Round Leg Kit



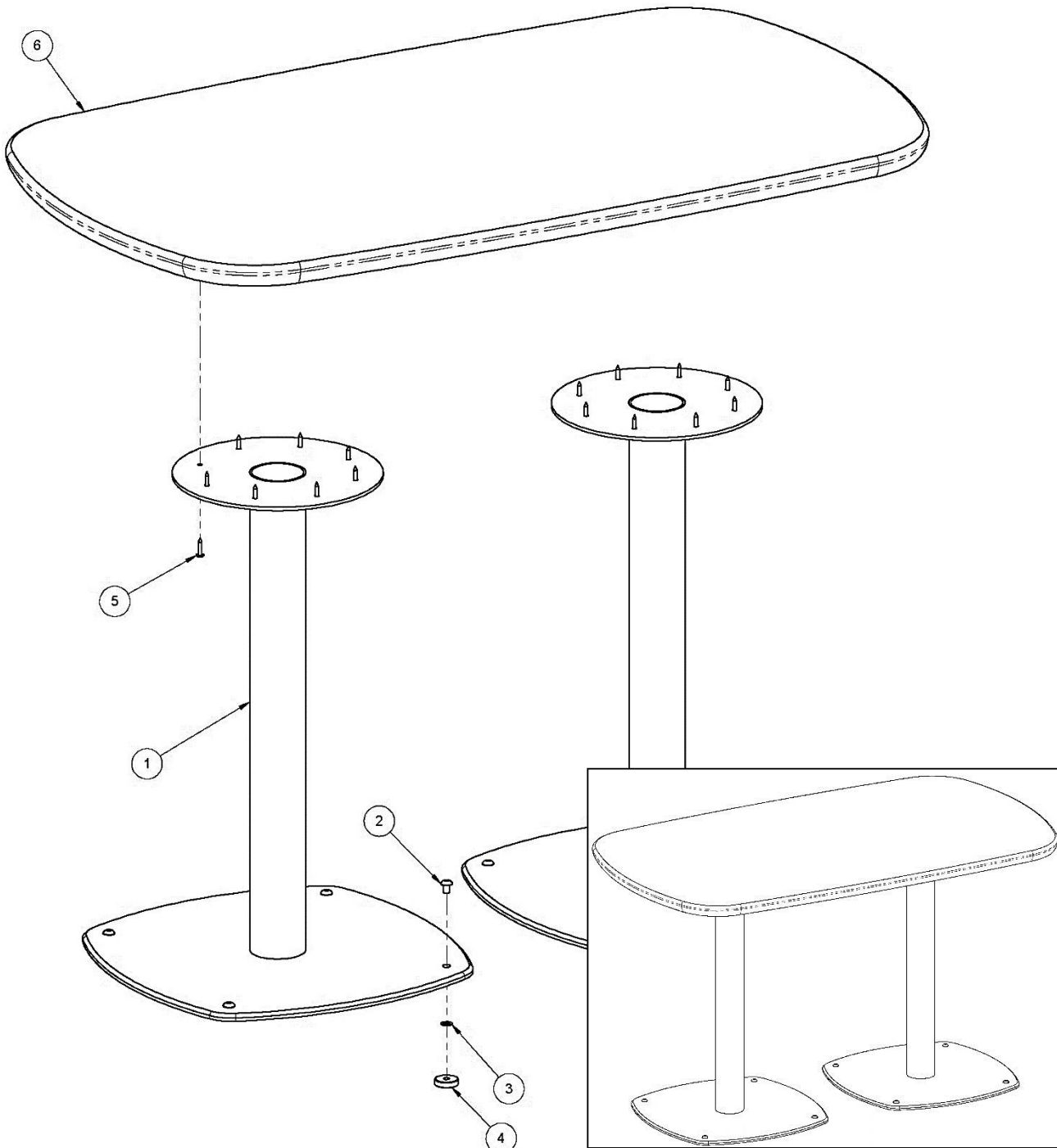


Free-Standing Hi Top Long Table, 612-300-293

Item	Part No.	Description
1	263-003-085	FS 42H Tube Weldment
2	808-566-087	BHSCS 3/8-24 X 0.50 ZN
3	7052-039062-003	FW 0.39 X 0.63 X 0.03 ZN
4	263-003-269	Harmony Foot Glide
5	7024-711000-100	THPTS 10 X 1.00 ZN TYA
6	263-003-001-XX	Harmony 6-Seat Table Top

Qty.	Part No.	Description
1	263-003-001-XX	Harmony 6-Seat Table Top
2	263-003-299	FS 42H Round Leg Kit

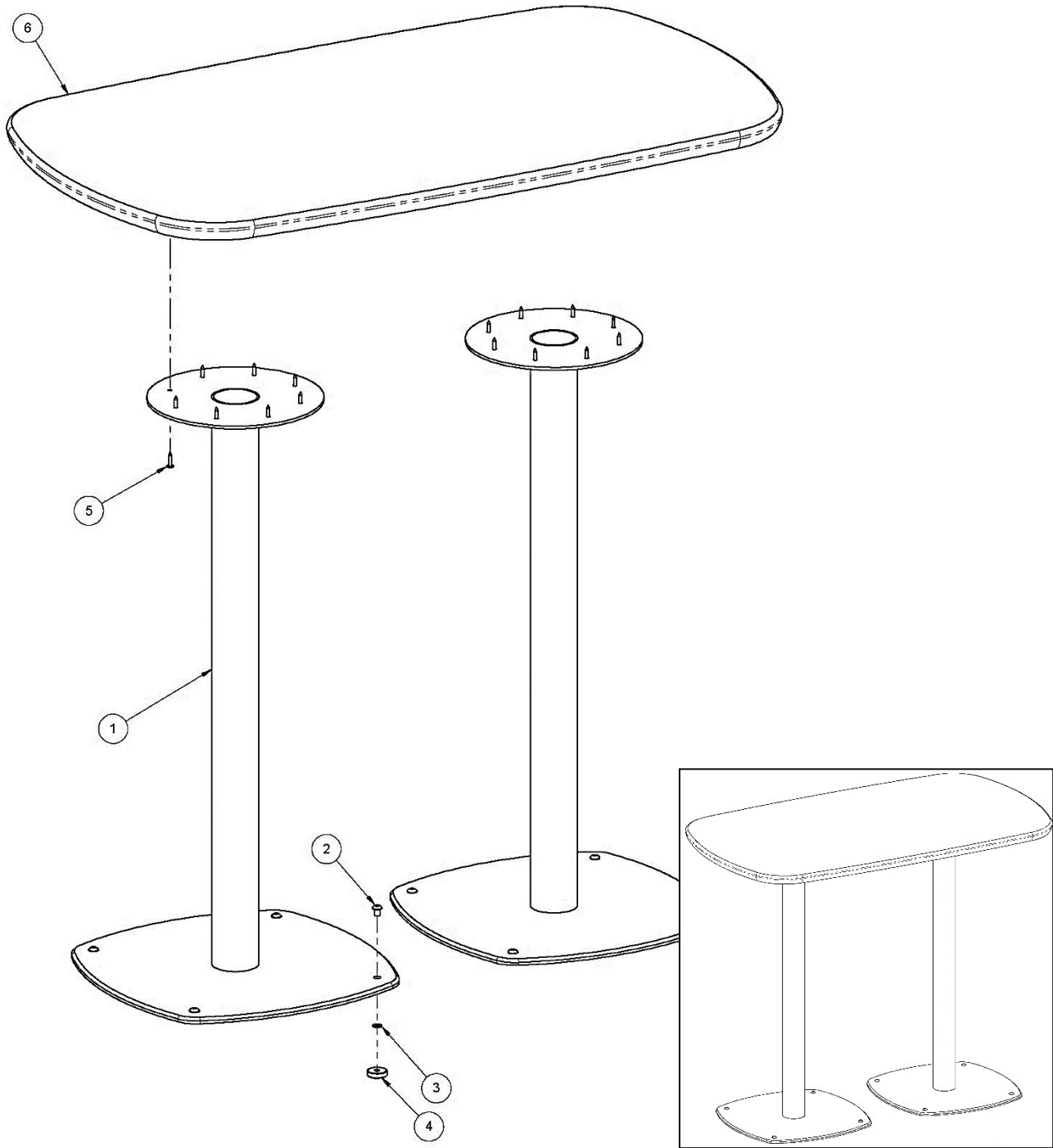




Free-Standing Rectangular Concourse Table, 612-300-294

Item	Part No.	Description
1	263-003-079	FS 30H Tube Weldment
2	808-566-087	BHSCS 3/8-24 X 0.50 ZN
3	7052-039062-003	FW 0.39 X 0.63 X 0.03 ZN
4	263-003-269	Harmony Foot Glide
5	7024-711000-100	THPTS 10 X 1.00 ZN TYA
6	263-003-005-XX	Double Ball Rack Table Top

Qty.	Part No.	Description
1	263-003-005-XX	Double Ball Rack Table Top
2	263-003-298	FS 30H Round Leg Kit

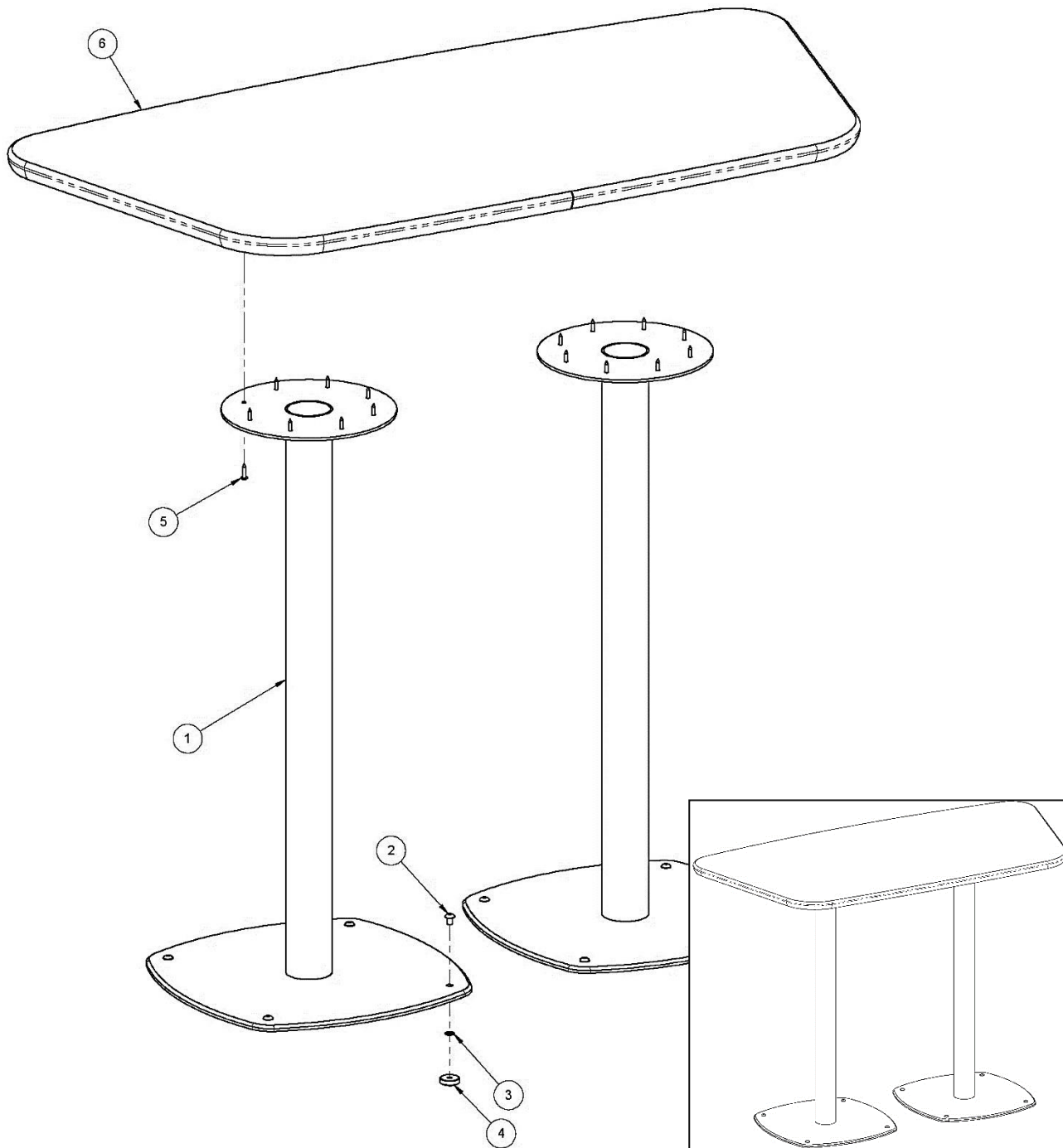


Free-Standing Hi Top Rectangular Concourse Table, 612-300-295

Item	Part No.	Description
1	263-003-085	FS 42H Tube Weldment
2	808-566-087	BHSCS 3/8-24 X 0.50 ZN
3	7052-039062-003	FW 0.39 X 0.63 X 0.03 ZN
4	263-003-269	Harmony Foot Glide
5	7024-711000-100	THPTS 10 X 1.00 ZN TYA
6	263-003-005-XX	Double Ball Rack Table Top

Qty.	Part No.	Description
1	263-003-005-XX	Double Ball Rack Table Top
2	263-003-299	FS 42H Round Leg Kit

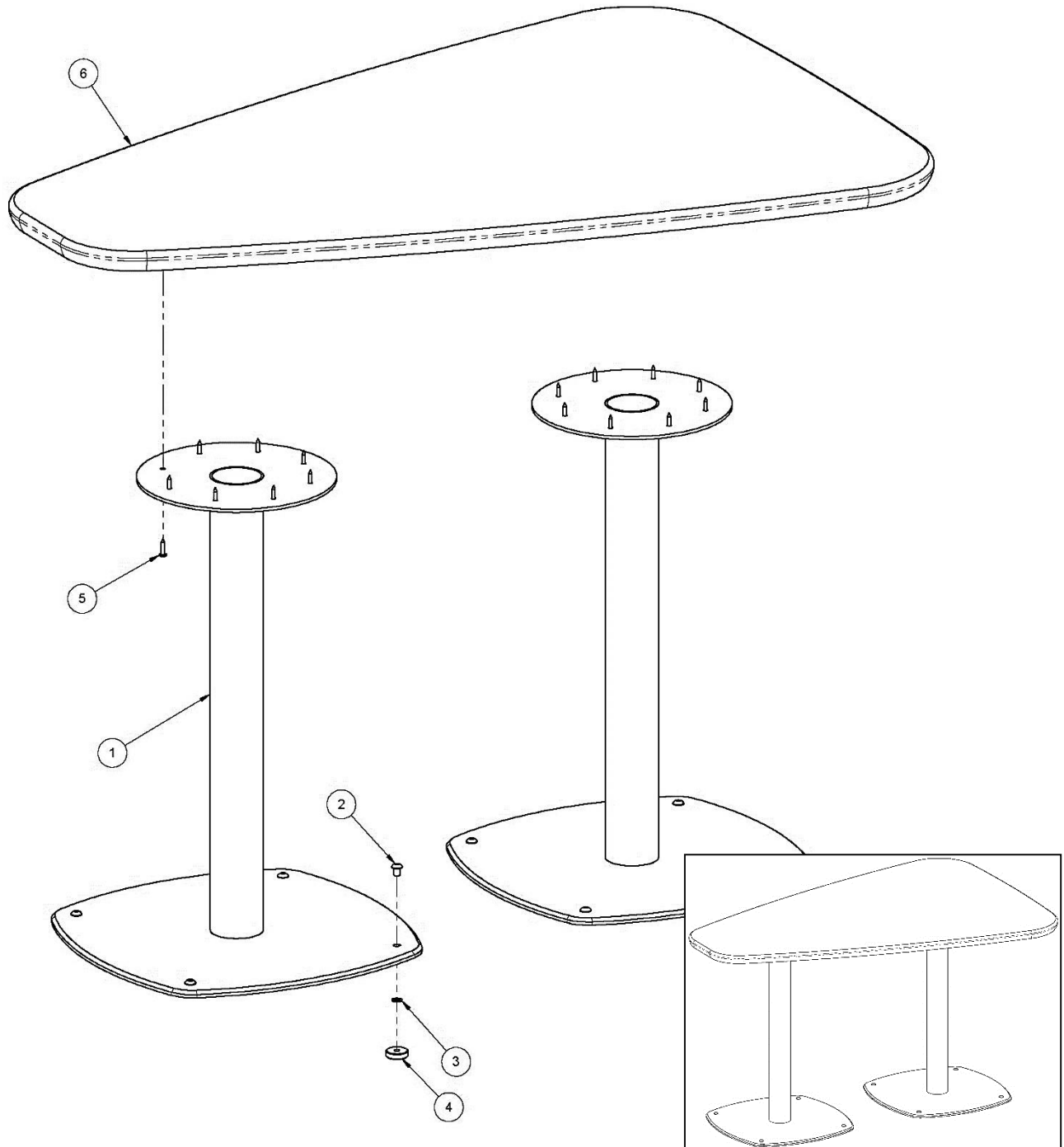




Free-Standing Hi Top Trapezoid Concourse Table, 612-300-296

Item	Part No.	Description
1	263-003-085	FS 42H Tube Weldment
2	808-566-087	BHSCS 3/8-24 X 0.50 ZN
3	7052-039062-003	FW 0.39 X 0.63 X 0.03 ZN
4	263-003-269	Harmony Foot Glide
5	7024-711000-100	THPTS 10 X 1.00 ZN TYA
6	263-003-006-XX	Trapezoid Table Top

Qty.	Part No.	Description
1	263-003-006-XX	Trapezoid Table Top
2	263-003-299	FS 42H Round Leg Kit

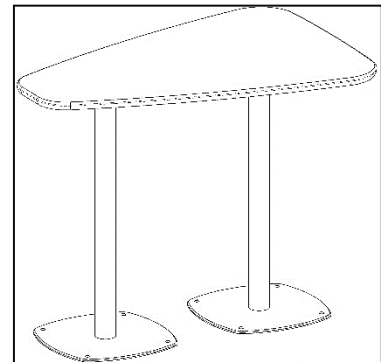
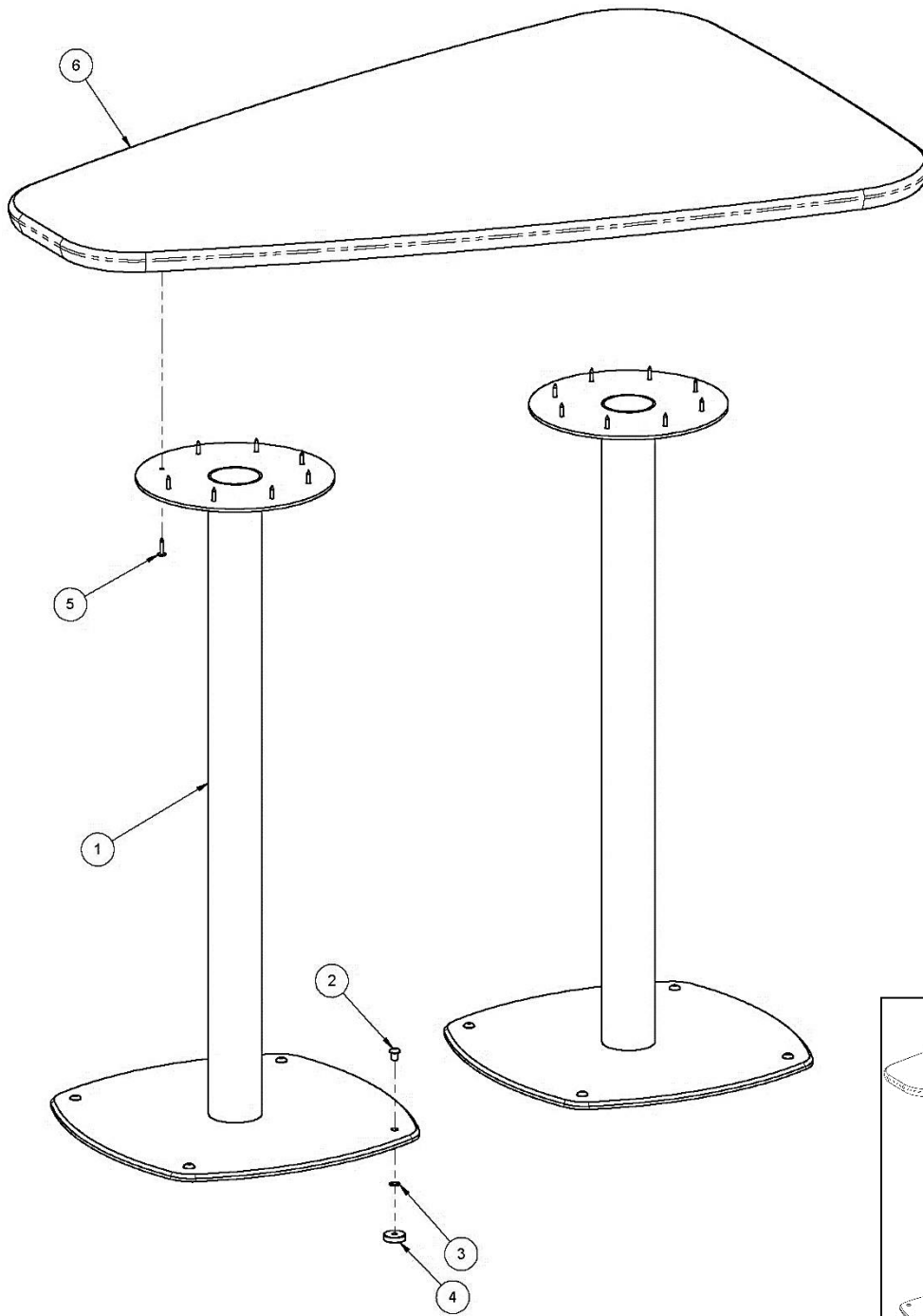


Free-Standing Triangle Table, 612-300-297

Item	Part No.	Description
1	263-003-079	FS 30H Tube Weldment
2	808-566-087	BHSCS 3/8-24 X 0.50 ZN
3	7052-039062-003	FW 0.39 X 0.63 X 0.03 ZN
4	263-003-269	Harmony Foot Glide
5	7024-711000-100	THPTS 10 X 1.00 ZN TYA
6	263-003-007-XX	Triangle Table Top

Qty.	Part No.	Description
1	263-003-007-XX	Triangle Table Top
2	263-003-298	FS 30H Round Leg Kit



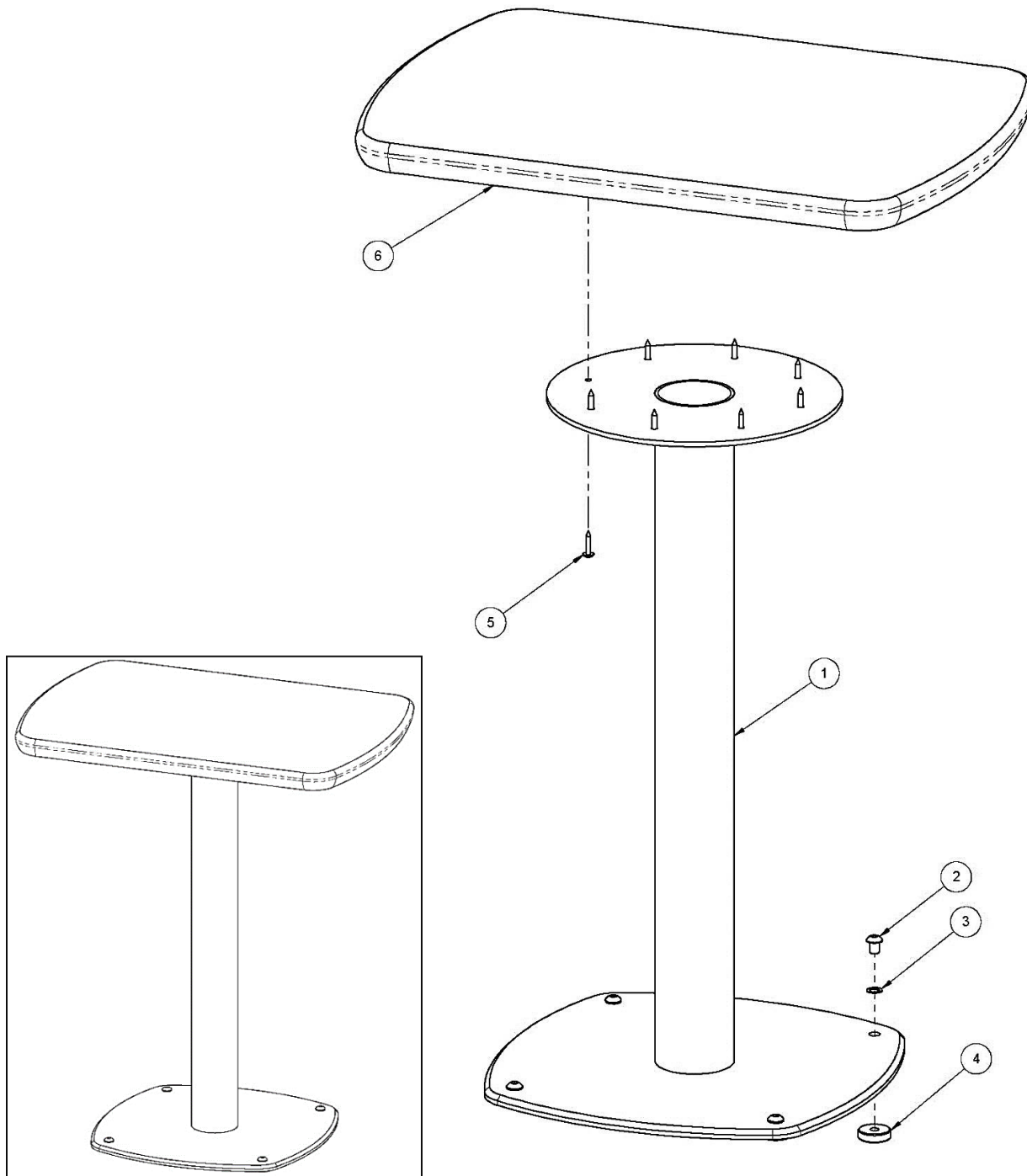


Free-Standing Hi Top Triangle Table, 612-300-298

Item	Part No.	Description
1	263-003-085	FS 42H Tube Weldment
2	808-566-087	BHSCS 3/8-24 X 0.50 ZN
3	7052-039062-003	FW 0.39 X 0.63 X 0.03 ZN
4	263-003-269	Harmony Foot Glide
5	7024-711000-100	THPTS 10 X 1.00 ZN TYA
6	263-003-007-XX	Triangle Table Top

Qty.	Part No.	Description
1	263-003-007-XX	Triangle Table Top
2	263-003-299	FS 42H Round Leg Kit





Personal Table, 612-300-299

Item	Part No.	Description
1	263-003-311	Personal Tube Weldment
2	808-566-087	BHSCS 3/8-24 X 0.50 ZN
3	7052-039062-003	FW 0.39 X 0.63 X 0.03 ZN
4	263-003-269	Harmony Foot Glide
5	7024-711000-100	THPTS 10 X 1.00 ZN TYA
6	263-003-310-XX	Personal Table Top

Qty.	Part No.	Description
1	263-003-310-XX	Personal Table Top
1	263-003-312	Personal Leg Kit





FURNITURE REPAIR



Part No.	Description
263-003-395-01	Anthra Green Touch-Up Marker
263-003-395-02	Energy Seat Edge Touch-Up Marker (Anthracite Grey)
263-003-395-03	Bittersweet Touch-Up Marker
263-003-395-04	Empire Mahogany Touch-Up Marker
263-003-395-05	Forsythia Touch-Up Marker
263-003-395-06	French Blue Touch-Up Marker
263-003-395-07	Griege Touch-Up Marker
263-003-395-08	Jewel Mahogany Touch-Up Marker
263-003-395-09	Navajo Red Touch-Up Marker
263-003-395-10	Navy Blue Touch-Up Marker
263-003-395-11	Royal Blue Touch-Up Marker
263-003-395-12	Slate Touch-Up Marker
263-003-395-13	Sugar Maple II Touch-Up Marker
263-003-395-14	Wisconsin Oak Touch-Up Marker
792-521-048	Harmony Silver Tough-Up Aerosol Paint Can

Included with Furniture Install Tools Kit 612-300-321



Part No.	Description
263-003-405	1-Seat Upholstery Replacement
263-003-406	2-Seat Upholstery Replacement
263-003-407	3-Seat Upholstery Replacement
263-003-408	Back Upholstery Replacement
792-521-048	Harmony Silver Touch-Up Aerosol Paint Can



Part No.	Description
263-003-400	Straight Seat Upholstery Replacement
263-003-401	Wedge Seat Upholstery Replacement
263-003-402	Straight Back Upholstery Replacement
263-003-403	Wedge Back Upholstery Replacement
263-003-404	Quarter Round Seat Upholstery Replacement
263-003-395-15	Sofa Base Touch-Up Marker
612-300-330	Edge Band Repair Kit

Included with Furniture Install Tools Kit 612-300-321

